



### Your Guarantee

If this product is found to be faulty as a result of faulty materials or workmanship within one year from date of purchase, it will be repaired free of charge.

This guarantee is subject to the following terms:

- Sunpentown must be notified of the fault.
- Proof of purchase must be presented to Sunpentown's nominated representative.
- The warranty will be void if the product is modified, misused or repaired by an unauthorized person.
- The warranty after repair will not be extended beyond the original one-year period.
- All replacement parts will be new or reconditioned.
- Parts, which are replaced, become the property of Sunpentown.
- The warranty applies for the use of the product in the USA only.

What is NOT COVERED:

- Warranty does not include freight charges.
- Incidental or consequential damage caused by possible defects with this product.
- Damage to product caused by improper power supply voltage, accident, fire, floods or acts of nature.
- Failure of product resulting from unauthorized modifications to the product.
- Improper installation or failure to perform the necessary maintenance.
- Improper operation led to the damage of the machine

This GUARANTEE is in addition to your Statutory Rights

**Sunpentown Int'l Inc.**  
**14625 Clark Ave, City of Industry, CA 91745**  
**Tel: 626-336-2299 · Fax: 626-336-7116**  
**service@sunpentown.com**  
**www.sunpentown.com**



### Juice Extractor

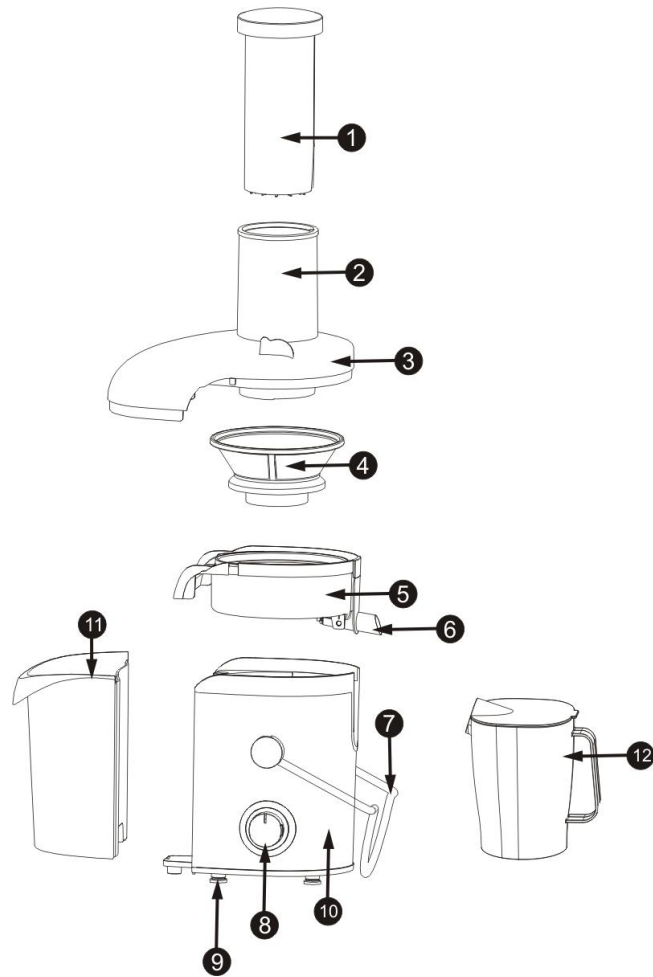
Model: CL-852



## INSTRUCTIONS MANUAL

FOR PROPER USE AND CARE  
(SAVE THIS INSTRUCTION)

## JUICE EXTRACTOR FEATURES & PARTS IDENTIFICATION



- |                            |                                    |
|----------------------------|------------------------------------|
| 1. Slotted Food Pusher     | 7. Handle                          |
| 2. Extra Wide Feed Chute   | 8. Operating Switch .              |
| 3. Juicer Top Cover        | 9. Rubber feet                     |
| 4. Extractor Filter        | 10. Motor Base                     |
| 5. Extractor Filter Holder | 11. Large Pulp Collector           |
| 6. Juice Outlet Spout      | 12. Juice jug with Froth Separator |

## CARE AND MAINTENANCE

It is important to thoroughly clean the unit after each use to avoid build up of food residue.

- Set the power switch to OFF and wait until the motor comes to a complete stop. With dry hands, unplug the power cord from electrical outlet.
- Do not immerse the Motor Base in water. Wipe the motor housing with a soft, damp cloth or sponge. Do not spray with water or any other liquid.
- For easy cleaning – immediately, after each use, rinse removable parts under running water (to remove wet pulp).
- After disassembling the unit, all removable parts may be washed in normal temperature neutral detergent water.
- Always treat the Extractor Filter with care as it can be easily damaged and the blades on its surface are very sharp.
- For consistent juicing results always ensure that the stainless steel extractor filter is thoroughly cleaned using the soft nylon brush. Hold the filter under running water and brush the filter from the inside of the basket to the outer rim. After cleaning the extractor filter, hold it up towards a light to ensure the fine mesh holes are not blocked.
- Some vegetables, such as carrots, may cause discoloration to the plastic. This may be reduced by immediately washing after use. To remove discoloration, use a suitable, non-abrasive cleaner on a soft cloth.
- Dry all parts thoroughly, then assemble the juice extractor and turn the power ON to spin out any excess water in the filter and receptacle.
- When the unit and parts are completely dry, store in a cool, dry place.

NOTE: If pulp is left to dry on the extractor filter, it may clog the fine pores of the filter, thus decreasing the effectiveness of the juicer. To assist with cleaning, soak the filter in normal temperature neutral detergent water for 10 minutes immediately after use.

### Technical details:

Model No.: CL-852

Power supply: 120V / 60Hz

Motor power: 800W

NOTE: Please confirm the filter is securely in place before placing top cover and locking the arms. If filter is not secured into position, when unit is powered on, the high-speed rotation will spin the filter out of place, causing damage to the cover, filter and motor connector. **Damages caused by improper installation are not covered under the manufacturer warranty.**

OPERATING INSTRUCTIONS

- If using fruit with hard or inedible skins such as mangoes, melons or pineapple, always remove skin before juicing.
  - Citrus fruit can be juiced in the Juice Extractor if peeled and pits first.
  - All fruits with pits, hard seeds or stones such nectarines, peaches, mangoes, apricots, plums and cherries must be pitted before juicing.
  - A small amount of lemon juice can be added to apple juice to prohibit browning.
1. Make sure the control is in the O (center) position before connecting power.
  2. Turn the power switch to I or II speed, depending on the type of fruit or vegetable being juiced.
  3. Place food into the Feed Chute, using the Food Pusher, gently guide food down the Feed Chute. To extract the maximum amount of juice, always push the Food Pusher down **SLOWLY**.
  4. Juice will flow into the Juice jug through the Juice Outlet Spout and the separated pulp will accumulate in the Pulp Container. Always watch the level of juice in the juice jug. Do not overfill, as juice will continue to drip from the juice spout after you have stopped juicing. Switch off the appliance and allow the dripping to stop before removing the juice jug.
  5. When juicing very soft fruits such as strawberries, peaches etc. you may find that they are juiced as soon as they hit the Extractor Filter.

Speed Selector Table:

II Speed	I Speed
Apple, Beetroot, Carrot, Orange, Pear (for hard), Celery	Blueberries, Broccoli, Cucumber, Watermelon, Grape, Kiwi Fruit, Mango, Tomato

NOTE: To minimize cleaning, line the pulp container with plastic bag to collect the pulp.

FEATURES & PARTS IDENTIFICATION, CONTINUED

1. **Slotted Food Pusher** (dishwasher safe: 50° )  
For pushing whole fruit and vegetables down the wide feed chute
2. **Extra Wide Feed Chute**  
Fits whole apples, carrots, tomatoes and peeled oranges.
3. **Juicer Top Cover** (dishwasher safe: 50° )  
Juicer will not operate without the juicer cover in place in the vertical operating position.
4. **Extractor Filter**



5. **Extractor Filter Holder**
6. **Juice Outlet Spout**
7. **Hadle**  
Please make sure the Hadle in place in the vertical operating position
8. **Operating Switch** (3 positions)  
Two operating speeds (I / II) and Off positions. I speed is for extracting soft fruits with high water content such as watermelon. II speed is for extracting hard fruits and vegetables.
9. **Rubber feet**  
Keeps the juicer from slipping.
10. **Motor Base**
11. **Large Pulp Collector** (1.7 Liters capacity / dishwasher safe: 50° )
12. **Juice jug with Froth Separator** (2 parts)
  - 1100 cc (1.1L) juice jug
  - The Juice jug lid eliminates splattering during operation.
  - Froth separator removes froth from juice when pouring.

## IMPORTANT SAFEGUARDS

### Read all of the instructions before using:

- Never allow children to use this appliance. Close supervision is necessary when the appliance is used near children.
- Do not allow the cord hang over the edge of table or counter; or come in contact with hot surfaces.
- Make sure the appliance is OFF before unplugging from wall outlet.
- Always unplug before cleaning and removing parts.
- This appliance is for household use only
- Do not use harsh, abrasive or caustic cleaners to clean this appliance.
- Never immerse the motor base, cord and plug in water or any other liquid to protect against electrical hazards.
- Do not make any modifications to the appliance or connection cord. Do not attempt to change the connection cord yourself. Contact Sunpentown customer service for any service issues.
- Use the appliance on a secure, dry and leveled surface.
- Switch off, unplug and allow moving parts to stop completely before removing or replacing attachments
- Never insert your fingers, utensils or any other object into the juice extractor feeding tube other than the food pusher.
- Do not attempt to remove or replace any attachments while the appliance is in operation.

## CLEANING INSTRUCTIONS

ALWAYS make sure the appliance is turned off and unplugged before cleaning.

Before using this appliance for the first time, wash the Extractor Filter, Extractor Filter Holder, Lid with feed chute, Pusher, Pulp Collector and the Juice jar with hot, soapy water. Rinse and dry thoroughly. Using a damp cloth, wipe appliance and dry thoroughly.

**WARNING!** Take great care when handling the Extractor Filter, as the blades on its surface are very sharp.

## ASSEMBLY AND USE

**WARNING!** Before assembly, ALWAYS make sure the appliance is turned off and power is disconnected from the wall socket.

- Place the Filter Holder on the motor unit. Align the indentation under the spout to that on the motor. (With the unit's switch facing you, the spout should be pointing right)
- Place the extractor filter in the middle of the filter holder. Rotate the micro filter and press firmly into place.  
**NOTE:** When inserting the Extractor Filter, please be sure to press down FIRMLY until you feel the filter **click into place**. To test if properly installed, place a fingertip under the filter's rim and try to lift it, filter should not budge.
- Place the top cover on the filter holder. Position the pulp removal opening in place with the holder. (The pulp removal opening should face the opposite side of the spout.)
- Lock the top cover in place, otherwise the appliance will not work. Raise the Handle, position the top clip into slot position on cover. Make sure both Handle are clicked securely into place for safety use.
- Place the juice jug under the spout.
- Place the pulp container under the pulp removal opening.

