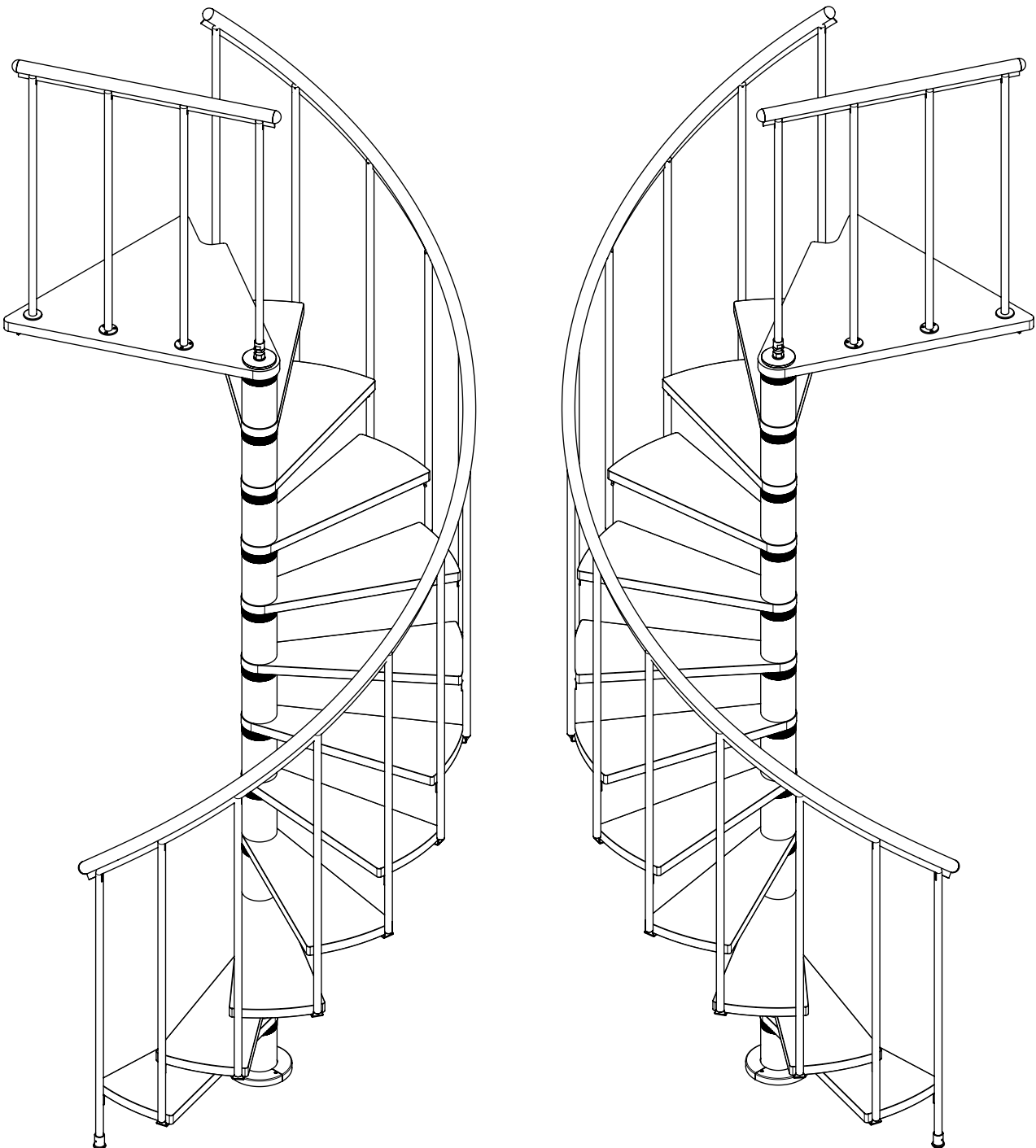


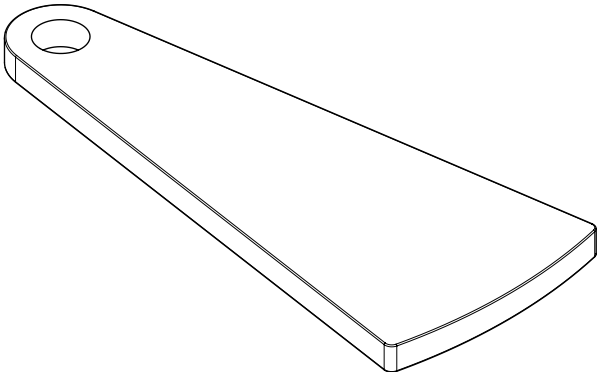

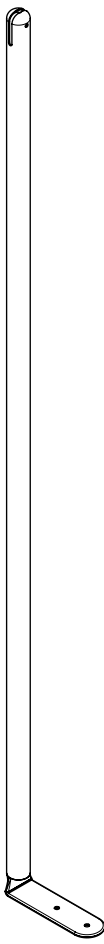

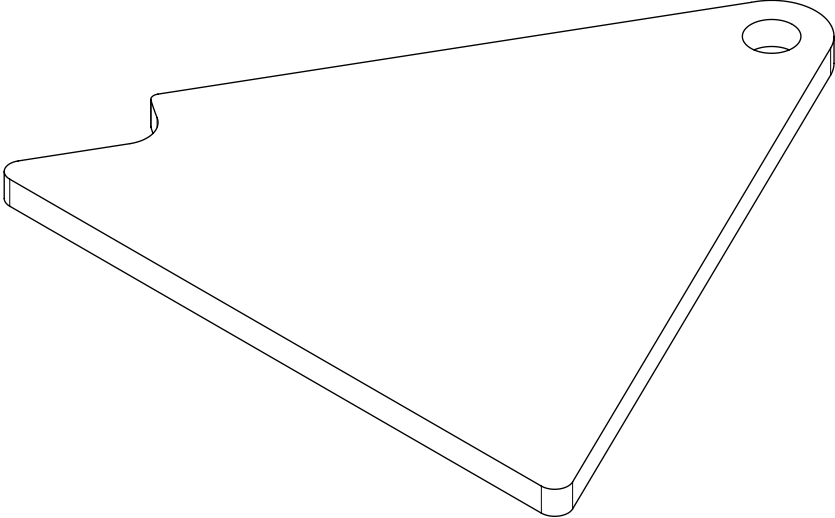


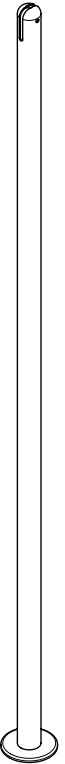


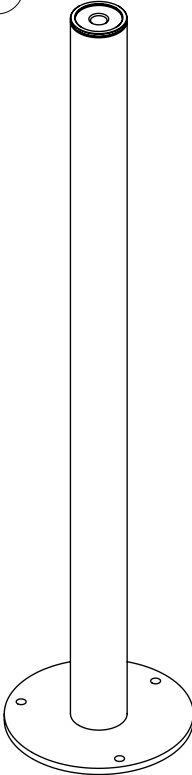
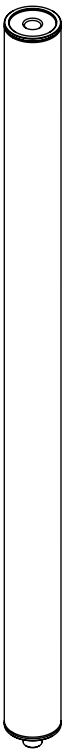
CALGARY


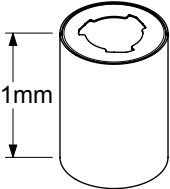
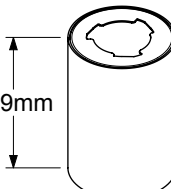
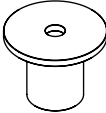
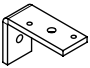
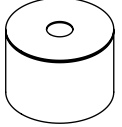
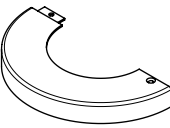


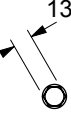
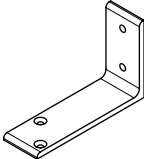
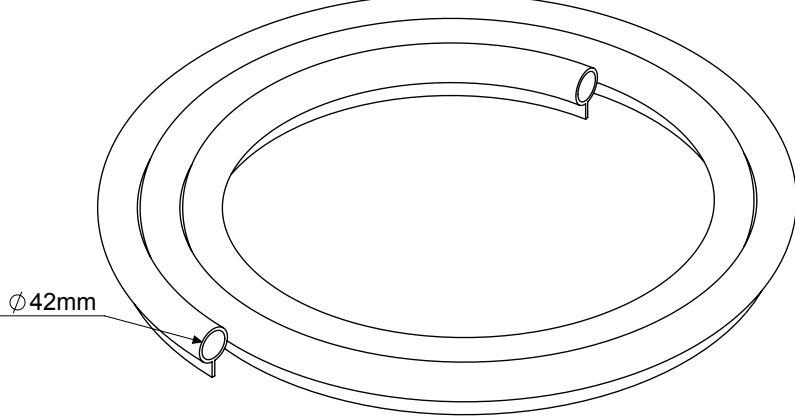
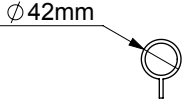
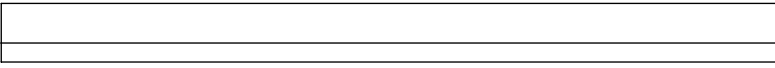







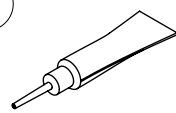

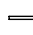






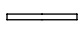







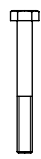







Local building codes vary. Please consult with your local officials for specific requirements. Las normas de construcción locales pueden variar. Póngase en contacto con los técnicos locales para conocer los requisitos locales

You Tube
Dolle Group

Review these instructions completely before beginning installation.
Questions - call customer service 855-DOLLE US or 763-746-7830 - Monday - Friday 8:00-5:00 central. Metric tools required.
Revise estas instrucciones en su totalidad antes de iniciar la instalación.
Si tiene alguna pregunta, llame al servicio al cliente al 855-DOLLE desde los EE.UU o al 763-746-7830 de lunes a viernes de 8:00 a 5:00, hora central de los EE.UU. Se necesitan herramientas métricas.

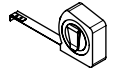
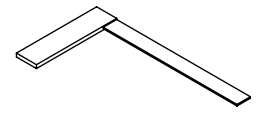
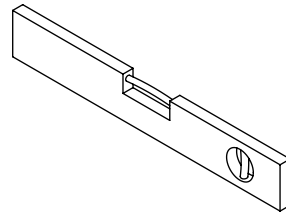
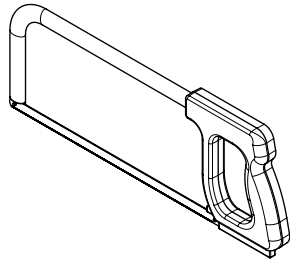
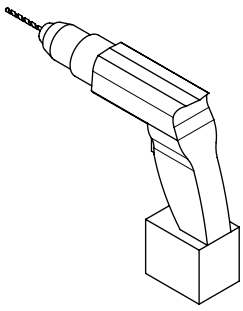
| | | | | | |
|---|---|---|---|---|---|
| <p>1</p>  <p>× 11</p> | <p>3</p>  <p>× 12 K1-71231 RAL 9006 K1-71431 RAL 7016 K1-71631 RAL 9016</p> | <p>5</p>  | <p>6</p>  <p>× 1 K1-71220 RAL 9006 K1-71420 RAL 7016 K1-71620 RAL 9016</p> | | |
| <p>2</p>  <p>× 1</p> | | <p>7</p>  <p>× 11 K1-71230 RAL 9006 K1-71430 RAL 7016 K1-71630 RAL 9016</p> <p>× 1 K1-32224 RAL 9006 K1-71421 RAL 7016 K1-32424 RAL 9016</p> | | | |
| <p>8</p>  <p>× 1 K2-71260 RAL 9006 K2-71460 RAL 7016 K2-71660 RAL 9016</p> | <p>9</p>  <p>× 2 K2-71250 RAL 9006 K2-71450 RAL 7016 K2-71650 RAL 9016</p> | <p>10</p>  <p>× 1 K2-71240 RAL 9006 K2-71440 RAL 7016 K2-71640 RAL 9016</p> | <p>11</p>  <p>× 1 K2-71010</p> | <p>12</p>  <p>× 1 K2-71012</p> | <p>13</p>  <p>× 1 K1-71000</p> |

| | | | | | |
|--|--|--|---|---|---|
| <p>14</p>  | <p>15</p>  <p>161mm</p> | <p>16</p>  <p>169mm</p> | <p>17</p>  | <p>18</p>  | <p>19</p>  |
| | <p>20</p>  | <p>21</p>  | <p>22</p>  | <p>23</p>  <p>13mm</p> | <p>24</p>  |
| <p>25</p>  <p>Ø 42mm</p> | <p>× 1 K3-07023</p> <p>× 1 K1-71292 4,2 m - RAL 9006 K1-39117 4,2 m - RAL 7016 K1-71692 4,2 m - RAL 9016</p> | | | | |
| <p>26</p>  <p>Ø 42mm</p>  | <p>× 1 K1-71291 1,0 m - RAL 9006 K1-39110 1,0 m - RAL 7016 K1-29410 1,0 m - RAL 9016</p> | | | | |
| <p>27</p>  | <p>× 72 K1-71205 RAL 9006 K1-71405 RAL 7016 K1-71605 RAL 9016</p> | | | | |

| | | | | | |
|--|--|---|---|--|--|
| <p>50</p>  <p>× 63 K3-06022 Ø5 x 35</p>  | <p>51</p>  <p>× 24 K3-06199 M5 x 20</p>  | <p>52</p>  <p>× 1 K3-90001</p> | <p>53</p>  <p>× 9 K3-04028 Ø8,4</p>  | <p>54</p>  <p>× 8 K3-08004 Ø10 x 60</p> | <p>55</p>  <p>× 8 K3-10175 M8 x 70</p>  |
| <p>56</p>  <p>× 1 K3-03024 M20 x 18</p>  | <p>57</p>  <p>× 1 K3-04020 Ø20</p>  | <p>58</p>  <p>× 1 K3-08002 Ø8 x 40</p> | <p>59</p>  <p>× 2 K3-02131 M4 x 10</p>  | <p>60</p>  <p>× 1 K3-05013 M6 x 6</p>  | <p>61</p>  <p>× 16 K3-05011 M5 x 20</p>  |
| <p>62</p>  <p>× 1 K3-02081 M8 x 70</p>  | <p>63</p>  <p>× 1 K3-03014 M20 x 10</p>  | <p>69</p>  <p>× 1 R1-63272 Ø6 x 25</p>  | <p>71</p>  <p>× 1 K3-06016 Ø6 x 40</p>  | | |

IMPORTANT: DO NOT USE PARTS OTHER THAN THOSE INCLUDED WITH THE PRODUCT. REPLACEMENT PARTS PURCHASED LOCALLY MUST BE METRIC. IN CASE PARTS HAVE BEEN LOST OR DAMAGED CONTACT DOLLE USA INC. FOR REPLACEMENT.

IMPORTANTE: NO UTILICE PIEZAS DIFERENTES DE LAS SUMINISTRADAS CON EL PRODUCTO. LAS PIEZAS DE RECAMBIO ADQUIRIDAS POR SEPARADO DEBEN SER MÉTRICAS. EN CASO DE PÉRDIDA DE PIEZAS O DE PIEZAS DAÑADAS, PÓNGASE EN CONTACTO CON DOLLE USA INC.



Torx 25



2,5

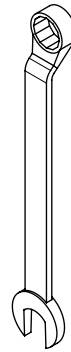


3



4

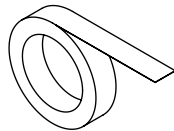
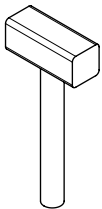
x 2



30



13

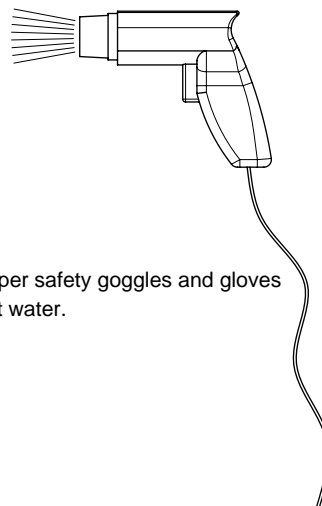
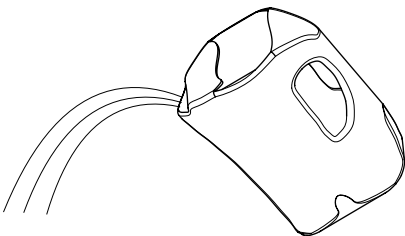


TOOLS REQUIRED

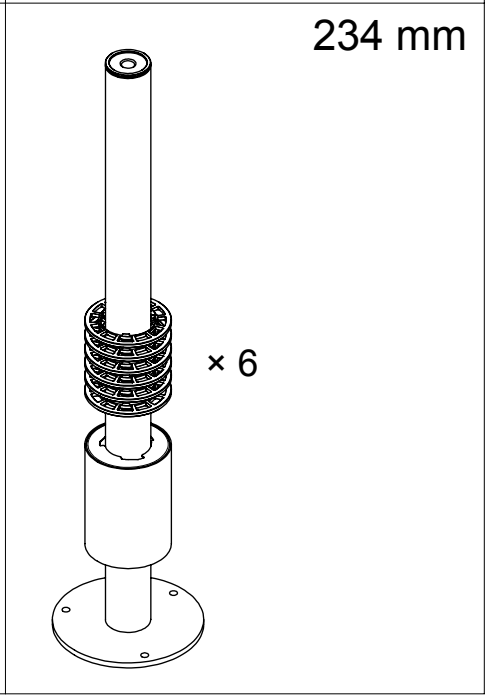
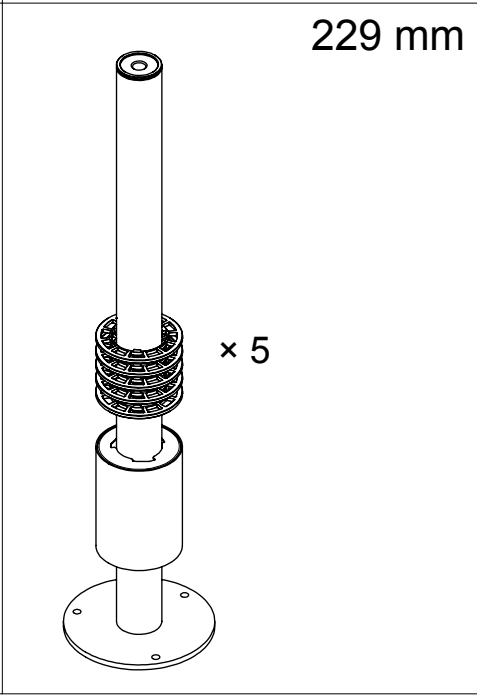
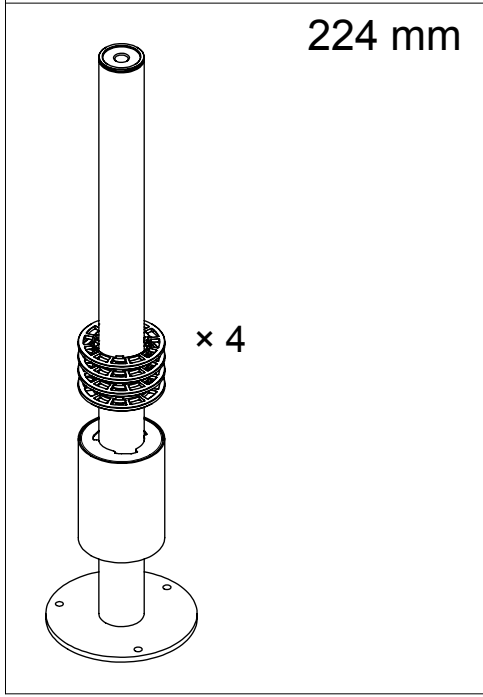
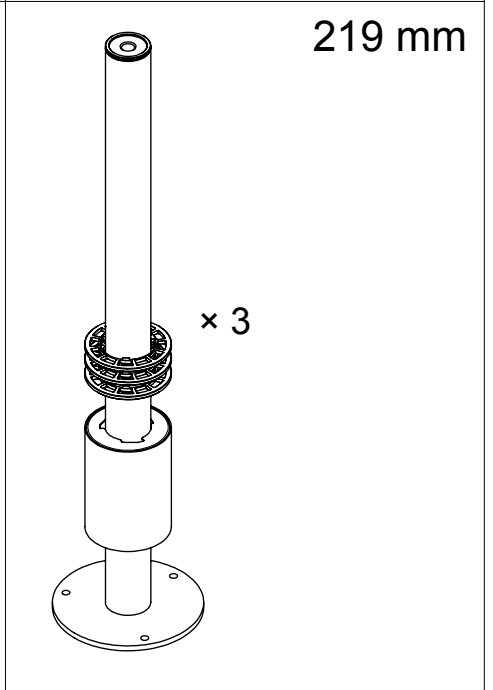
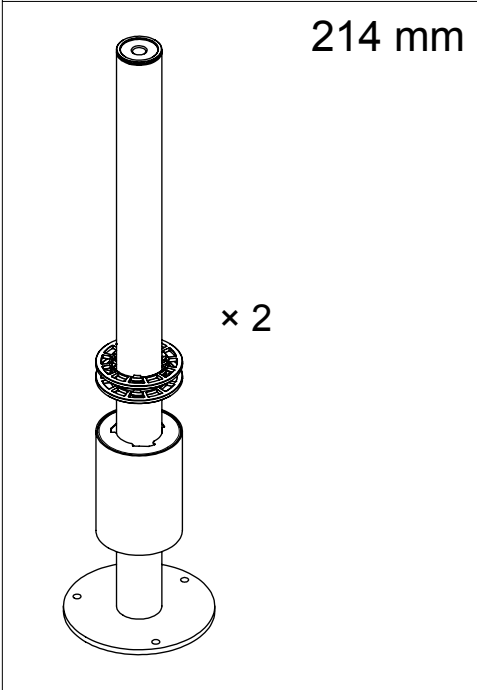
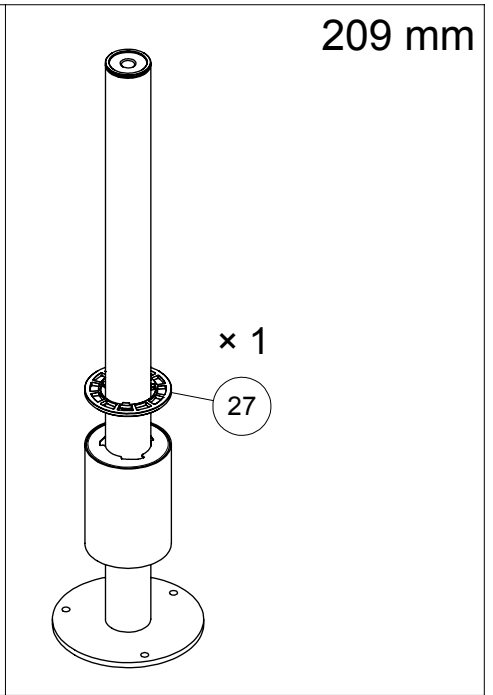
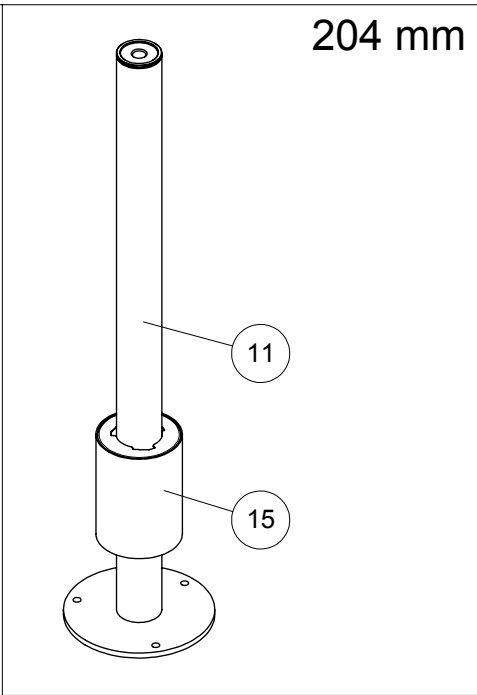
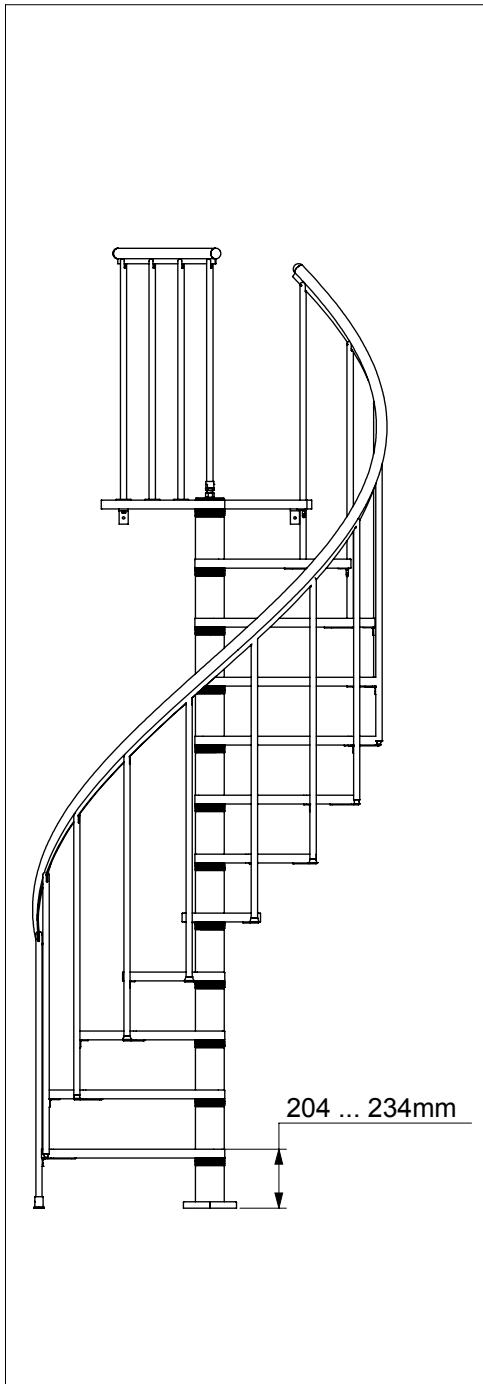
- NOT SUPPLIED

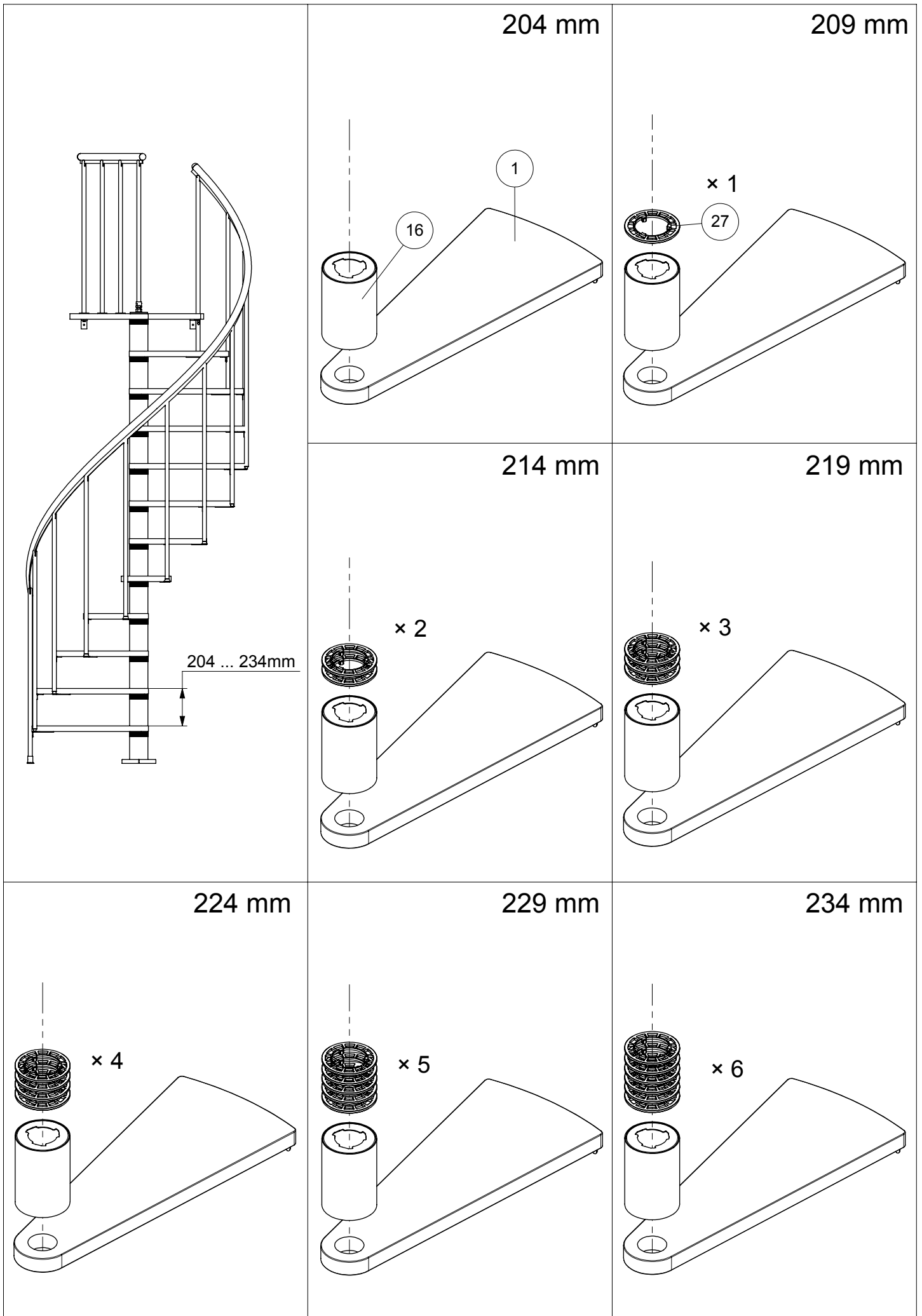
HERRAMIENTAS NECESARIAS

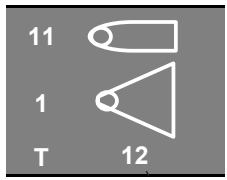
- NO SUMINISTRADAS



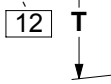
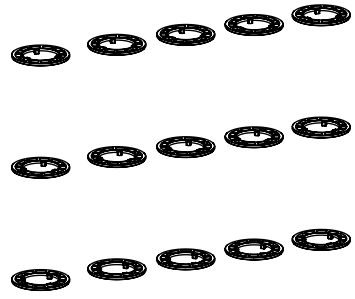
WARNING - wear proper safety goggles and gloves when working with hot water.



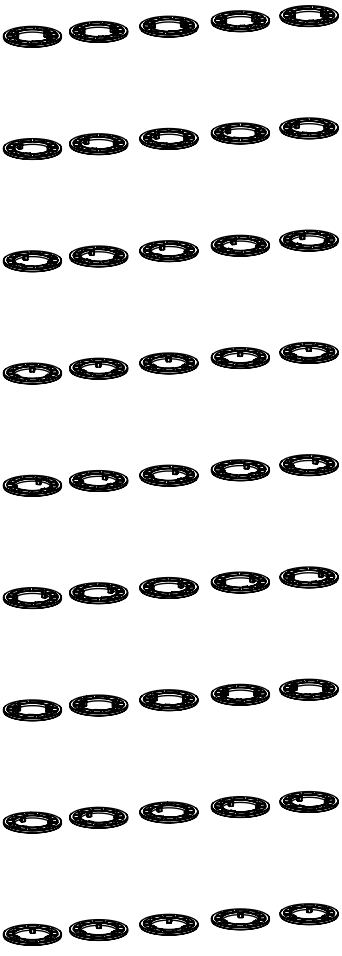




N
0 ... 6 st (pcs)



N
0 ... 6 st (pcs)



P
+1
st (pcs)

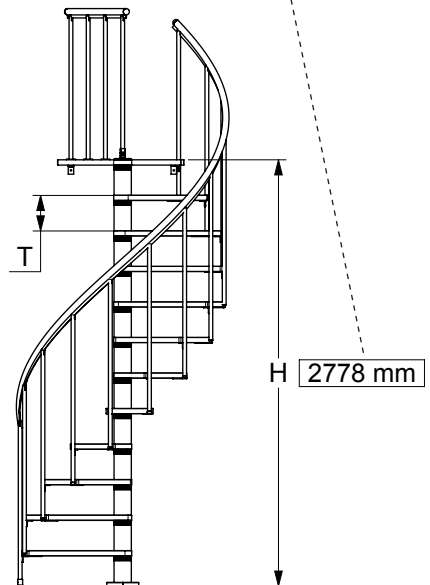
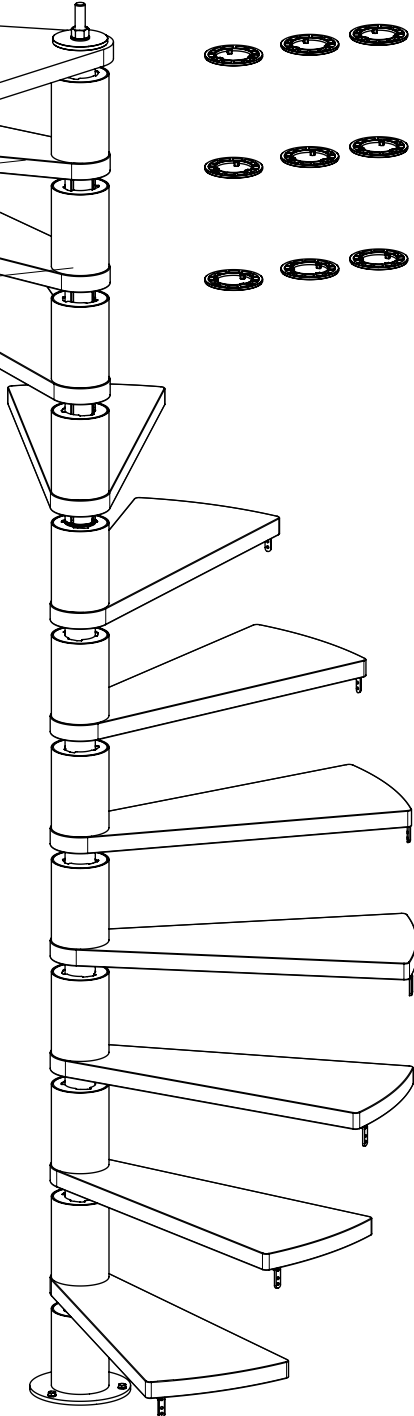


N x T
5 st (pcs) x 12
= 60 st (pcs)

P
+6 st (pcs)

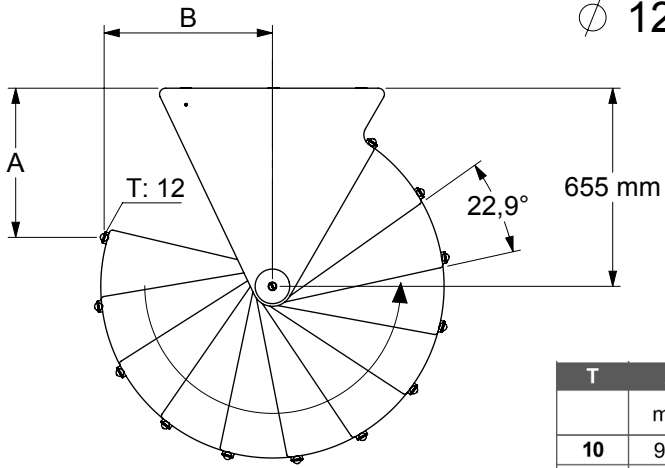
| | | |
|------|---|----|
| 2773 | 5 | 5 |
| 2778 | 5 | 6 |
| 2783 | 5 | 7 |
| 2788 | 5 | 8 |
| 2793 | 5 | 9 |
| 2798 | 5 | 10 |

| | | |
|------|---|----|
| 2773 | 5 | 5 |
| 2778 | 5 | 6 |
| 2783 | 5 | 7 |
| 2788 | 5 | 8 |
| 2793 | 5 | 9 |
| 2798 | 5 | 10 |

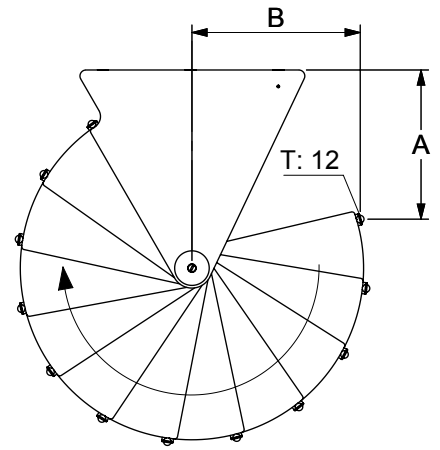


H 2778 mm

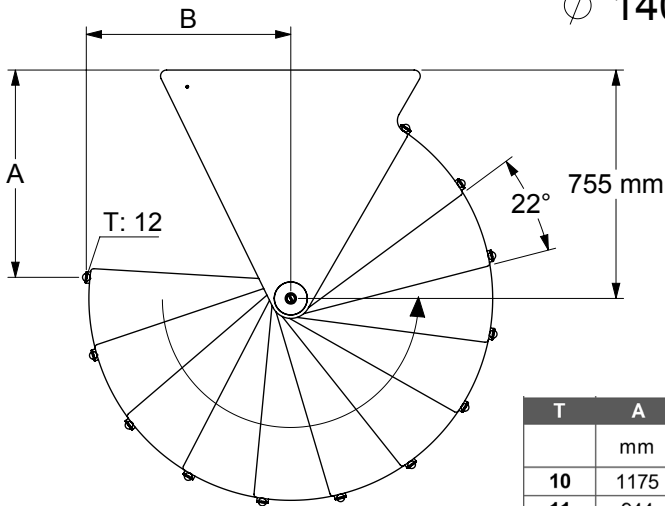
∅ 120 cm



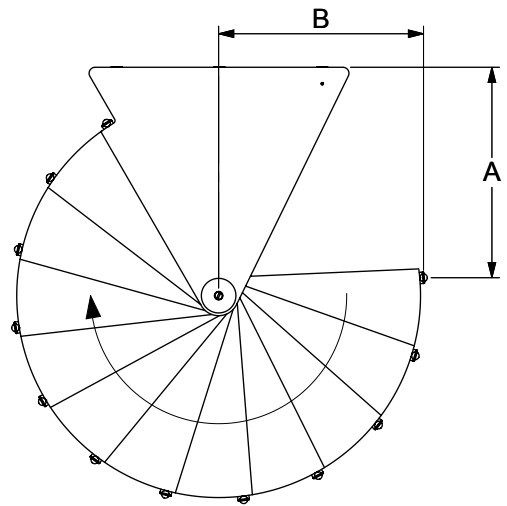
| T | A | B |
|----|-----|-----|
| | mm | mm |
| 10 | 941 | 506 |
| 11 | 722 | 578 |
| 12 | 493 | 558 |

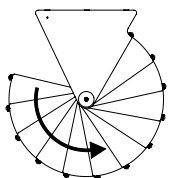
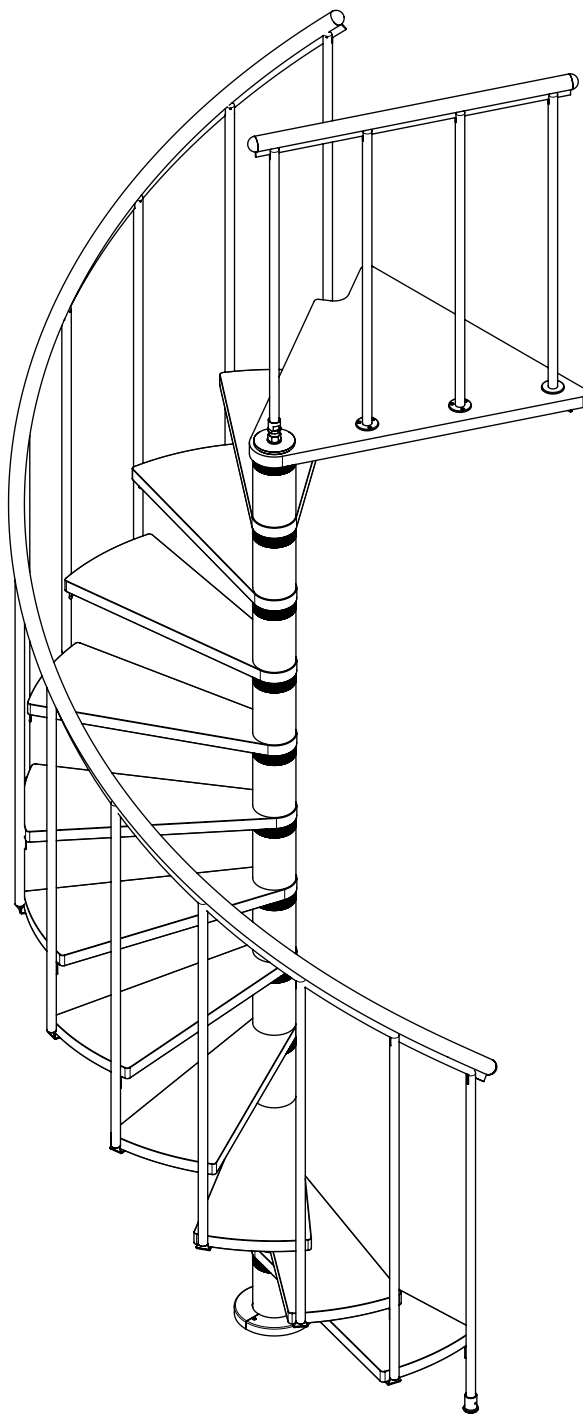
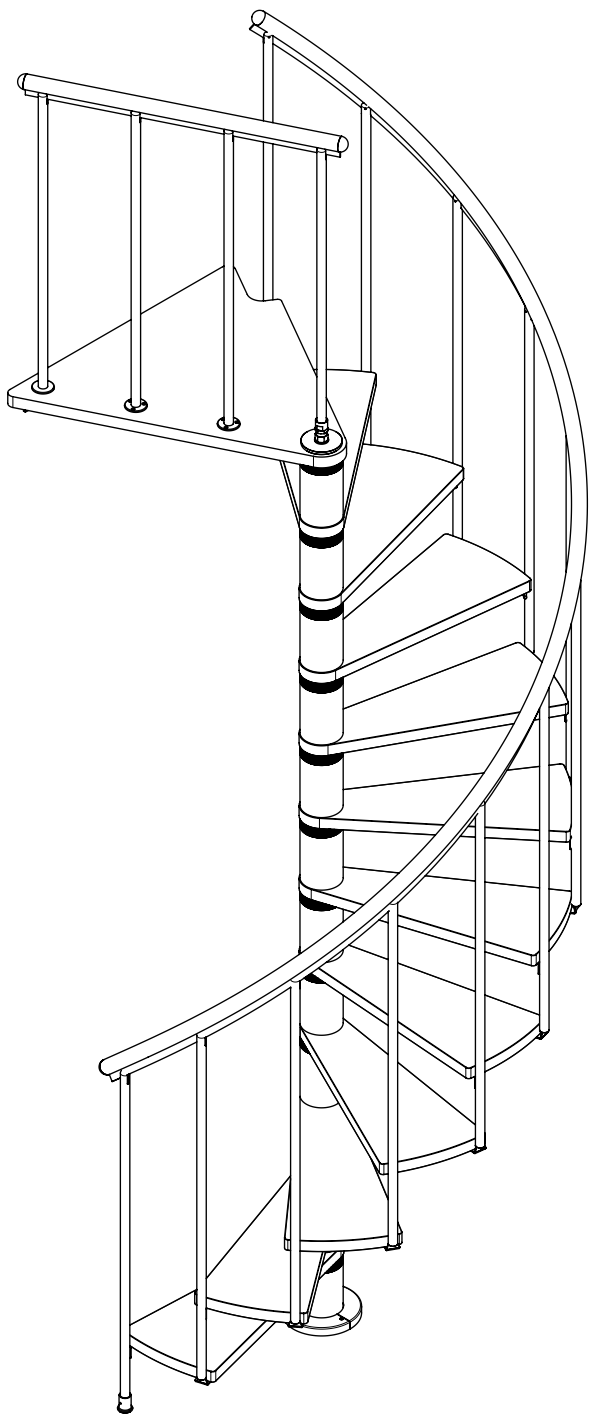
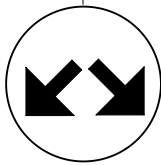


∅ 140 cm



| T | A | B |
|----|------|-----|
| | mm | mm |
| 10 | 1175 | 537 |
| 11 | 944 | 655 |
| 12 | 685 | 678 |

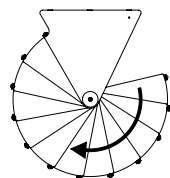




Left
Links
Gauche



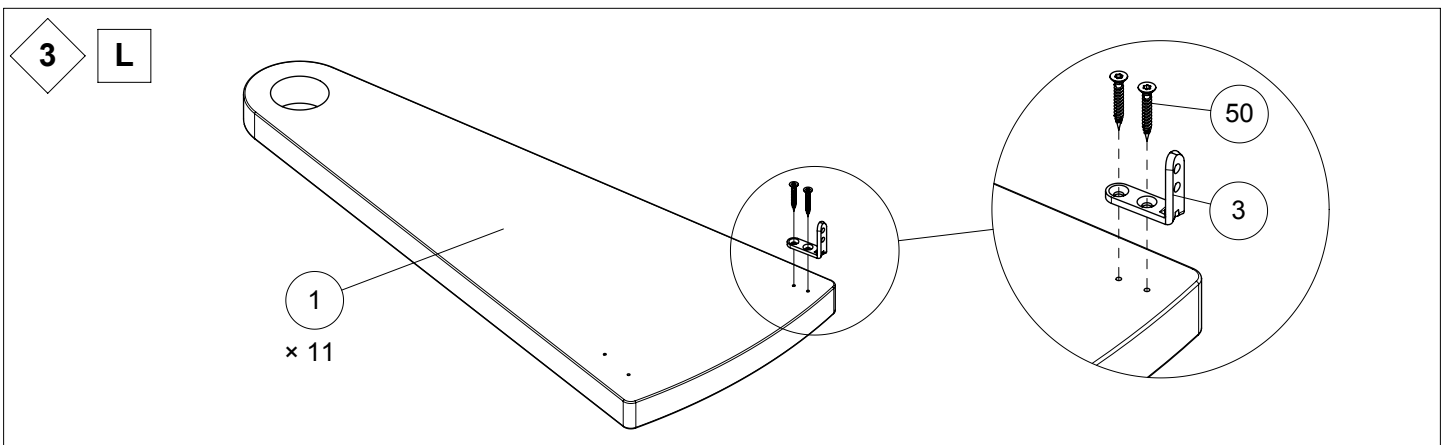
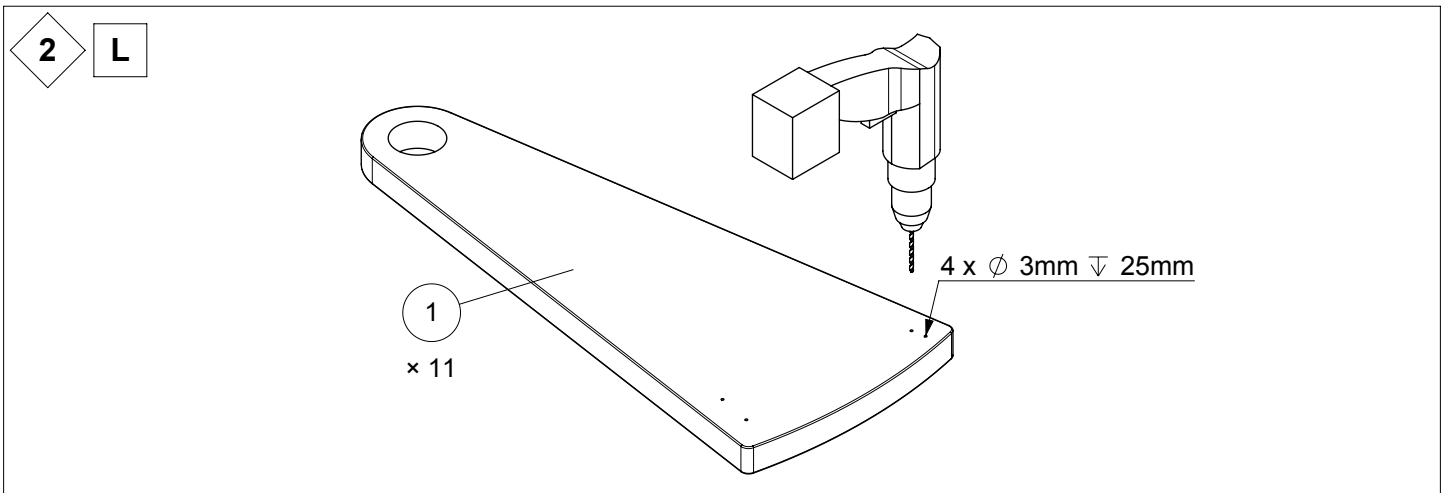
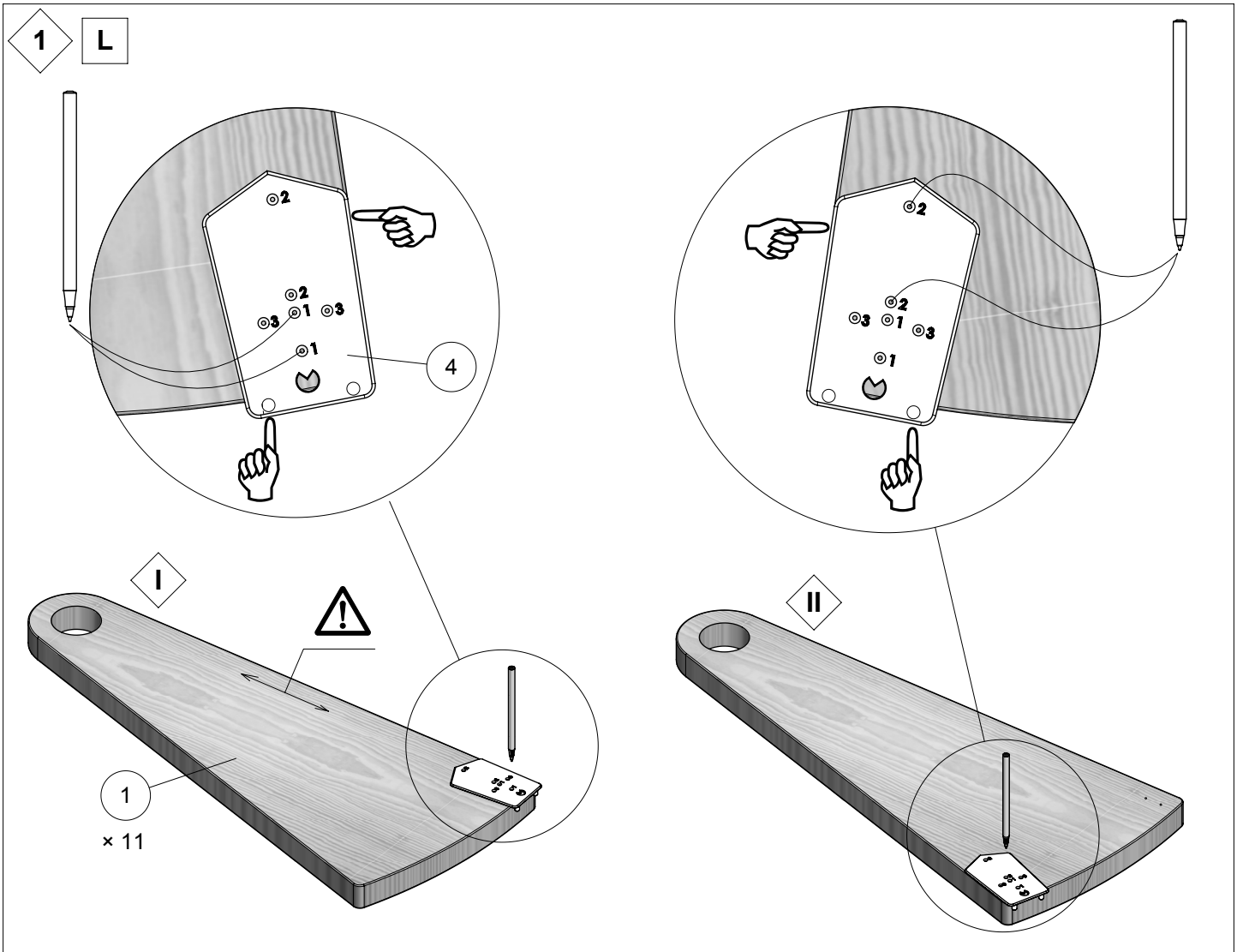
1 L

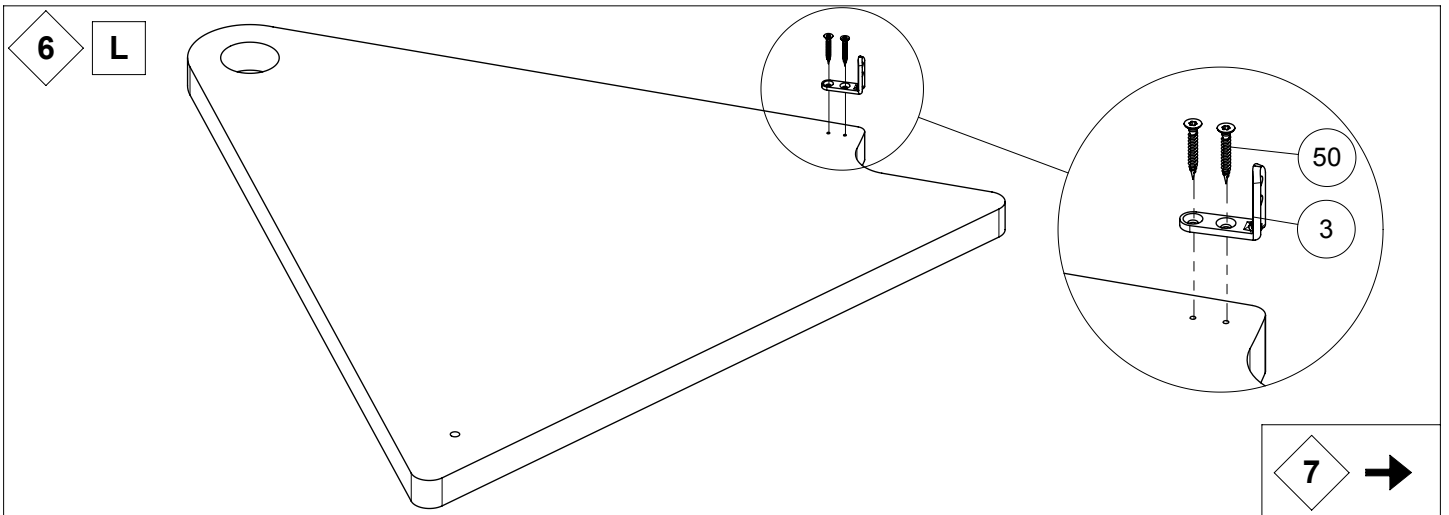
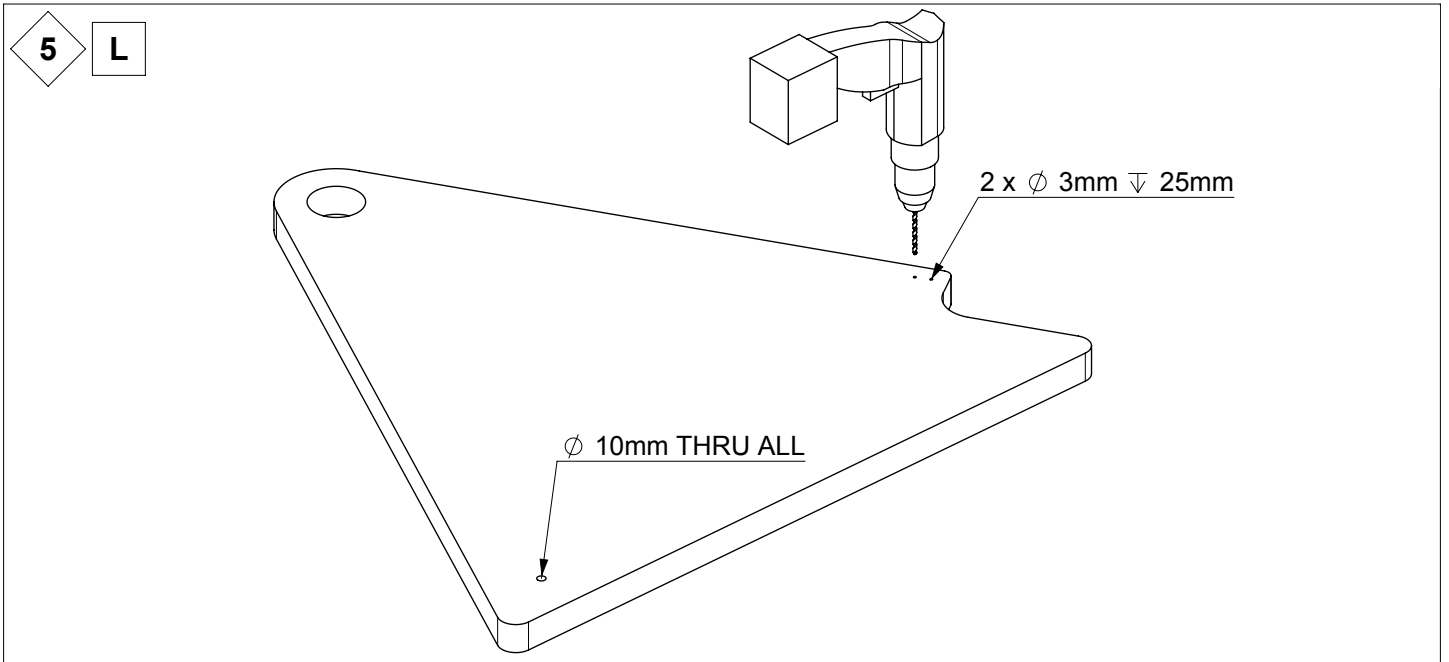
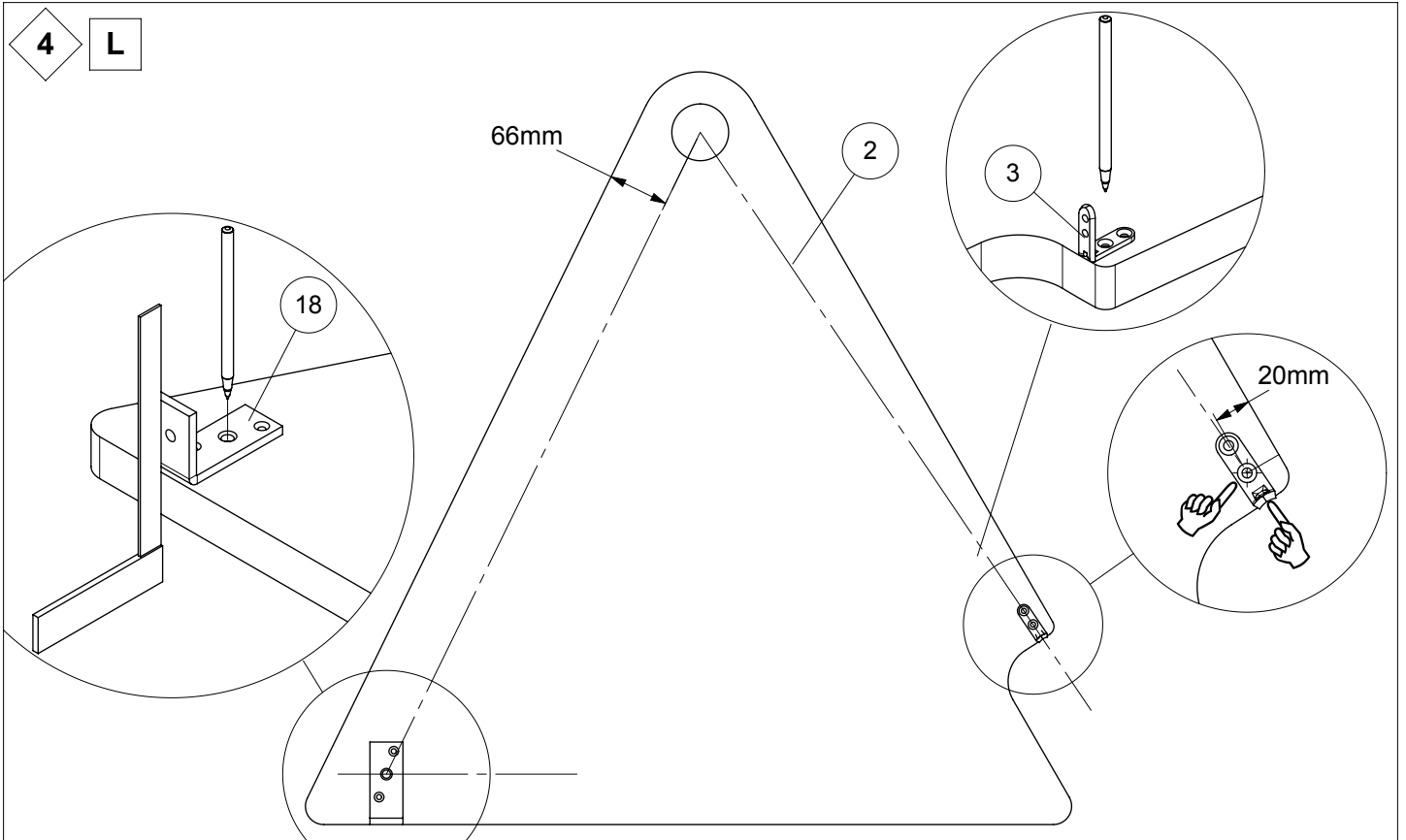


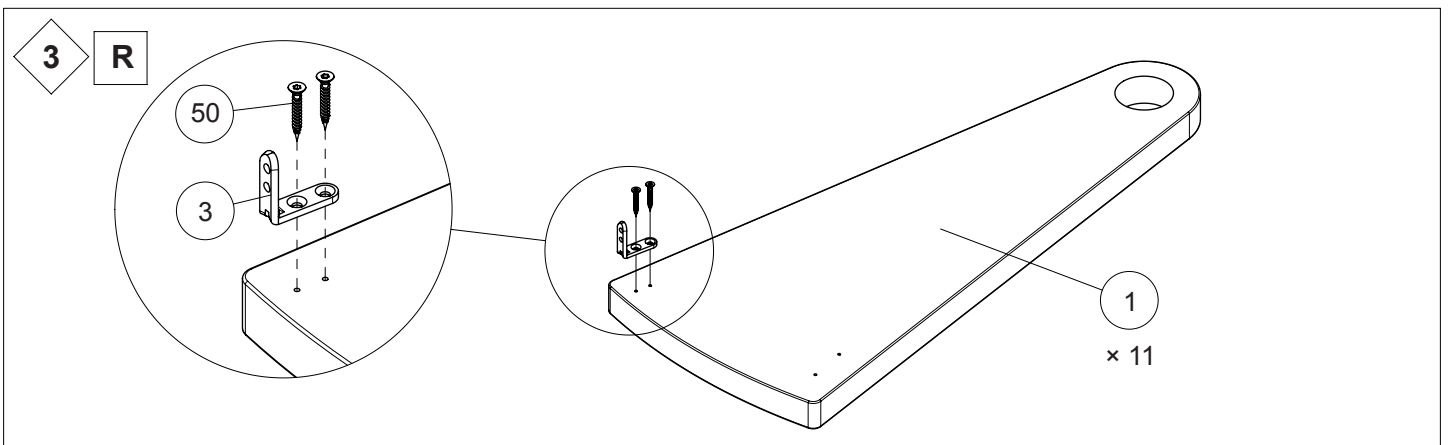
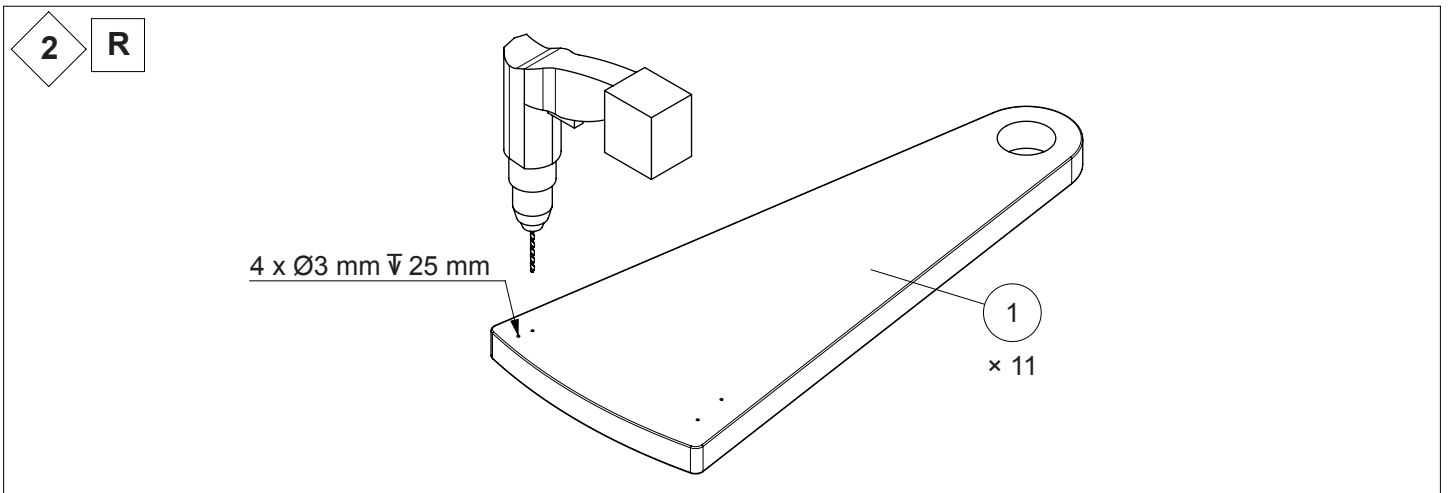
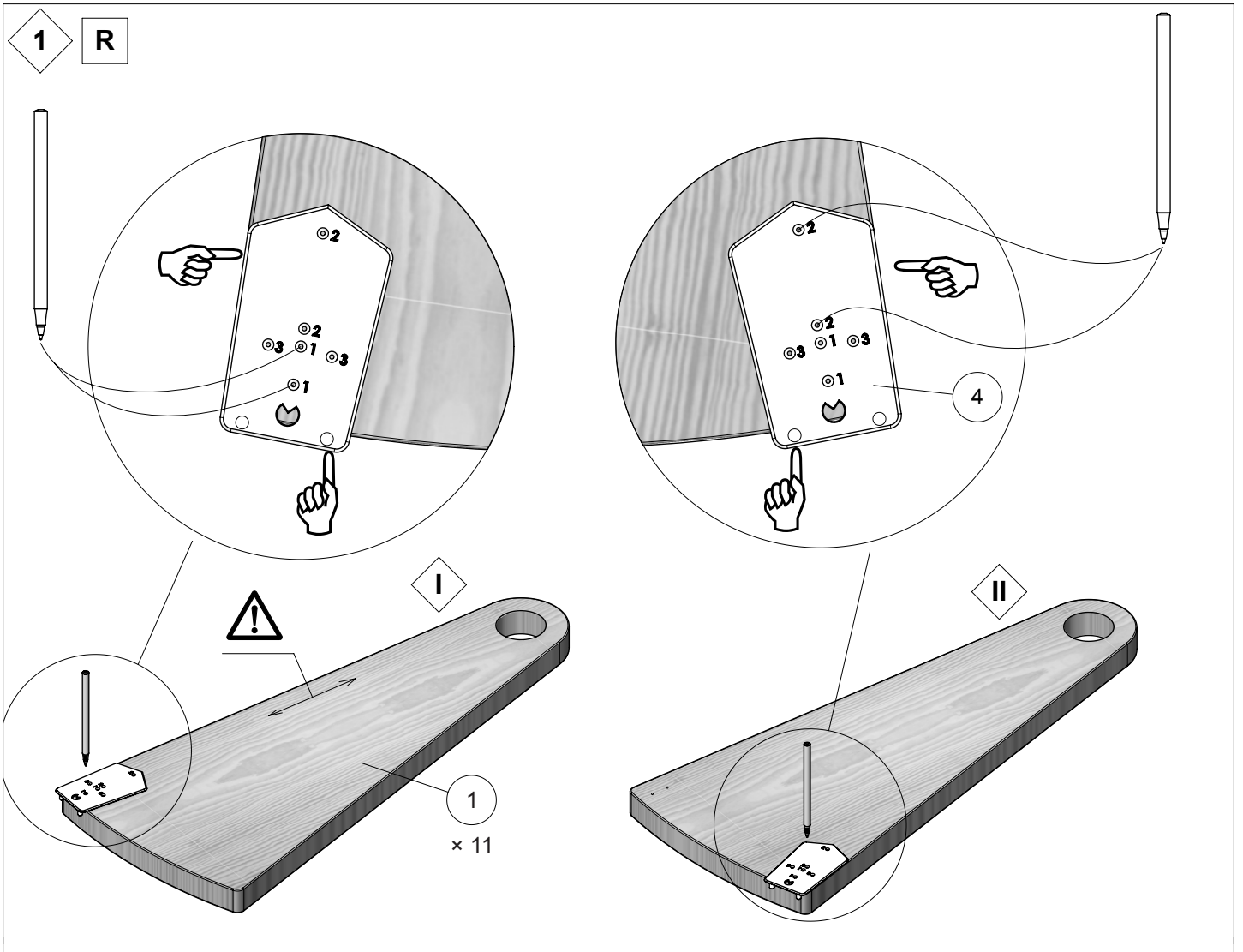
Right
Recht
Droite

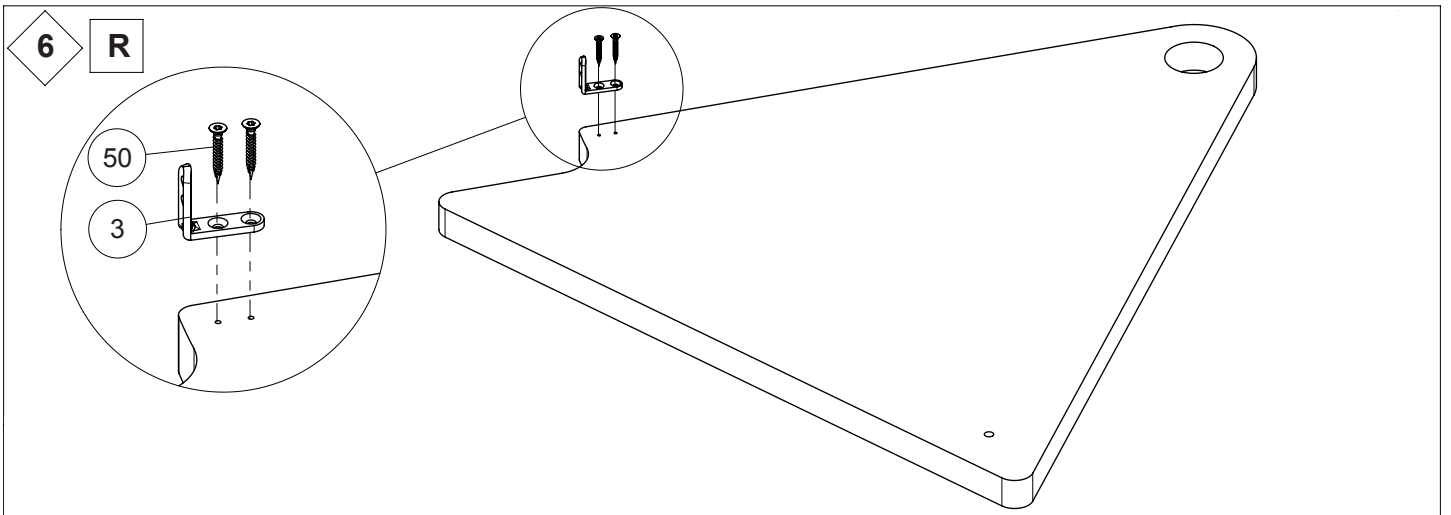
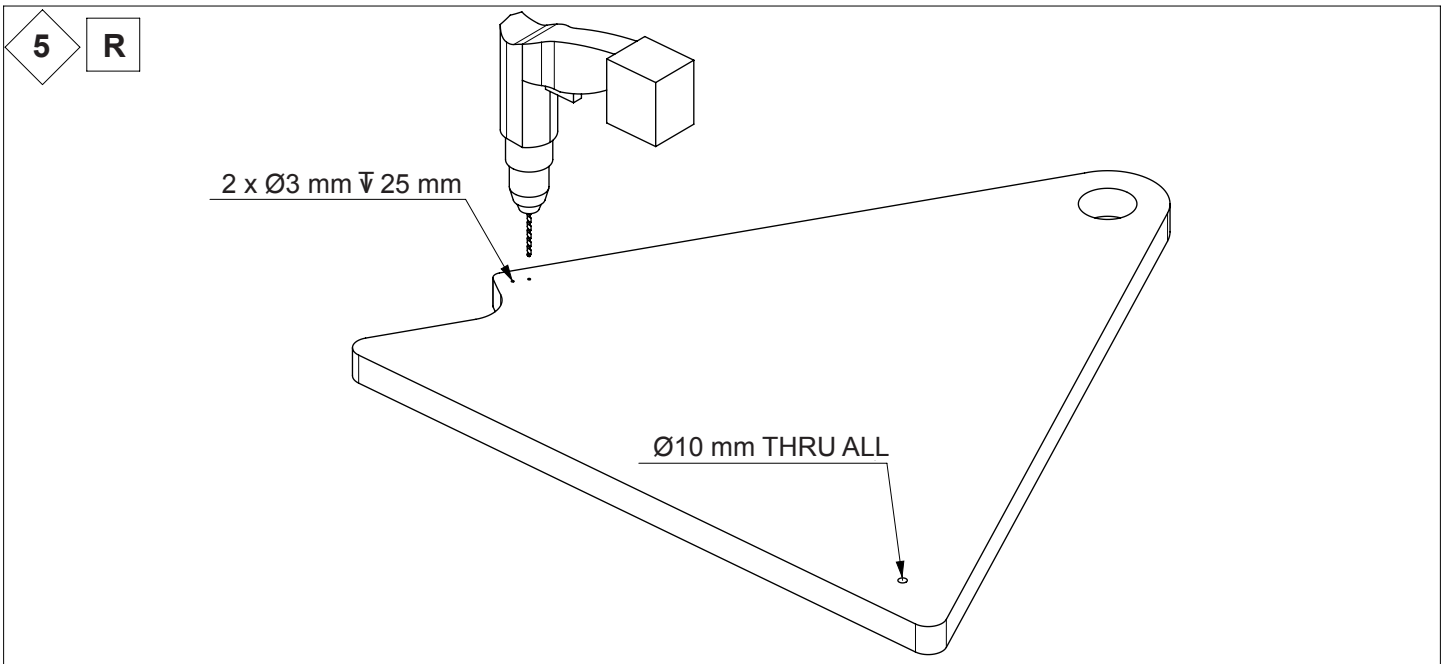
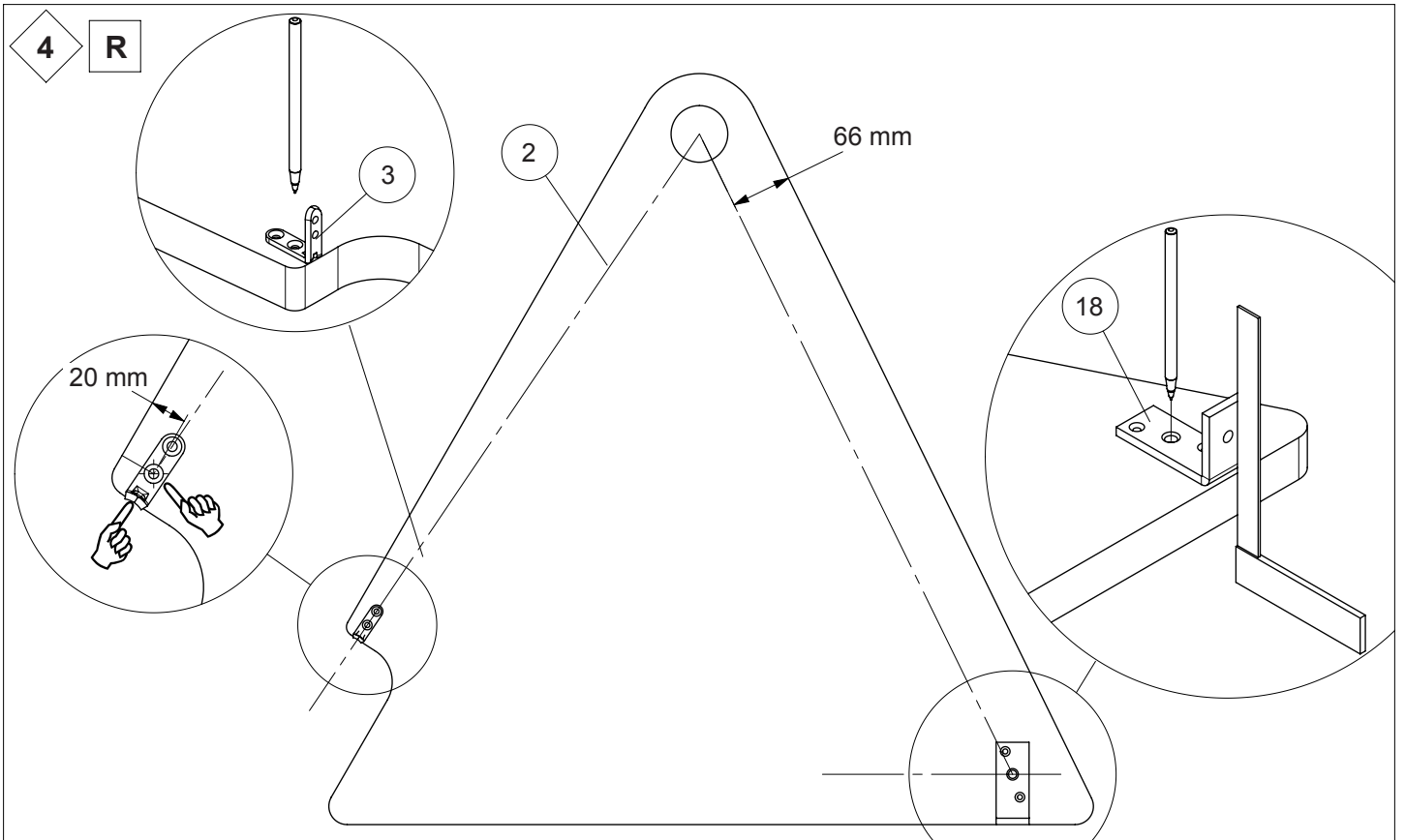


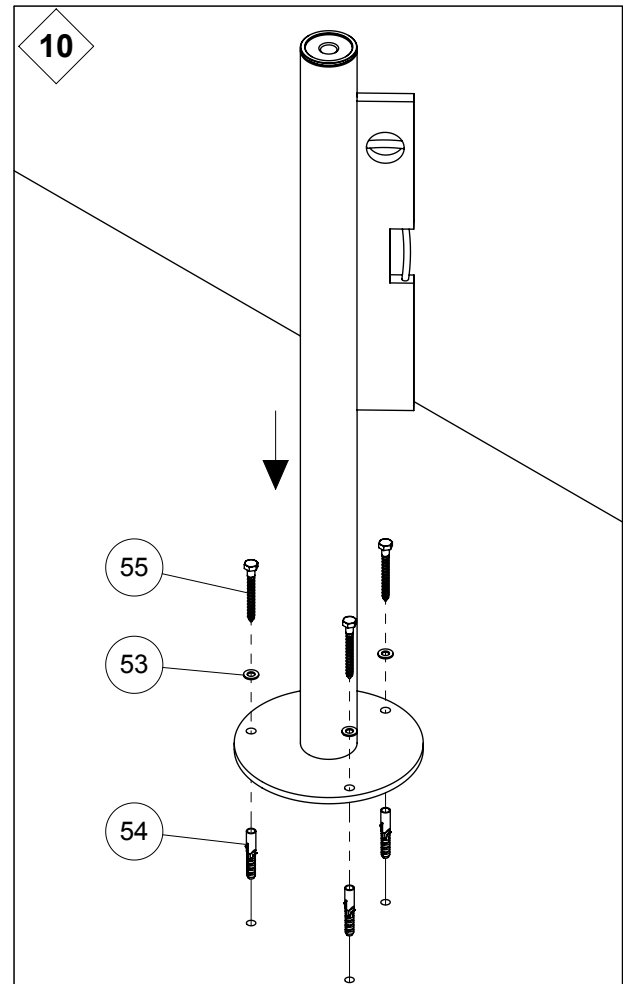
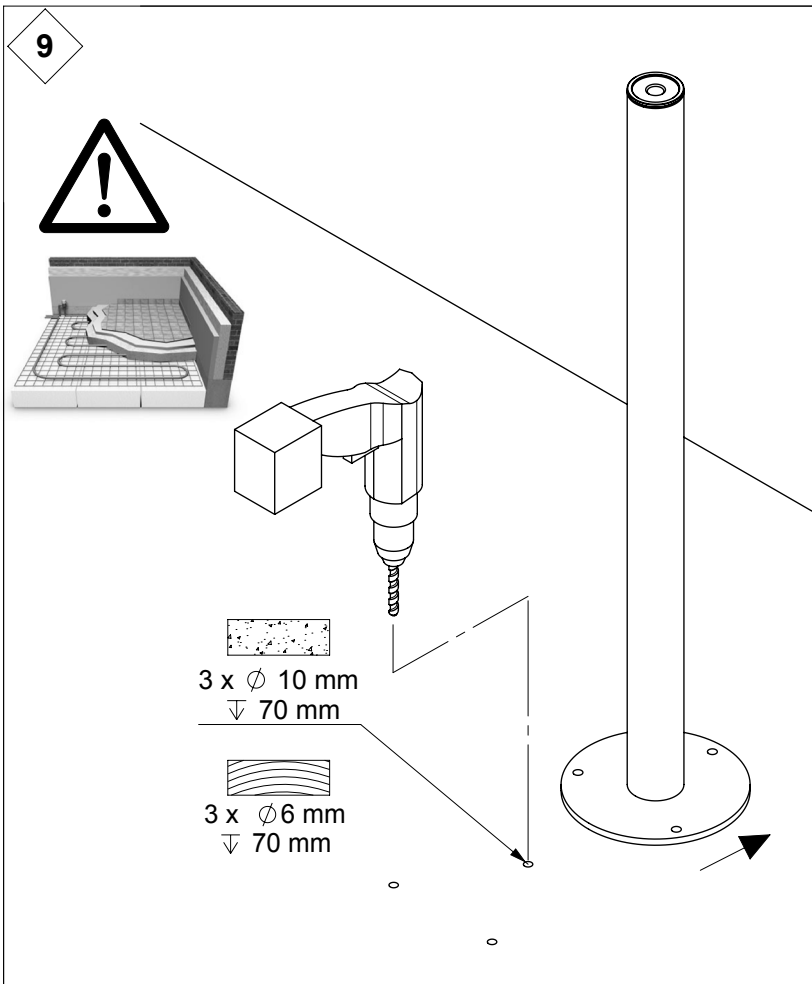
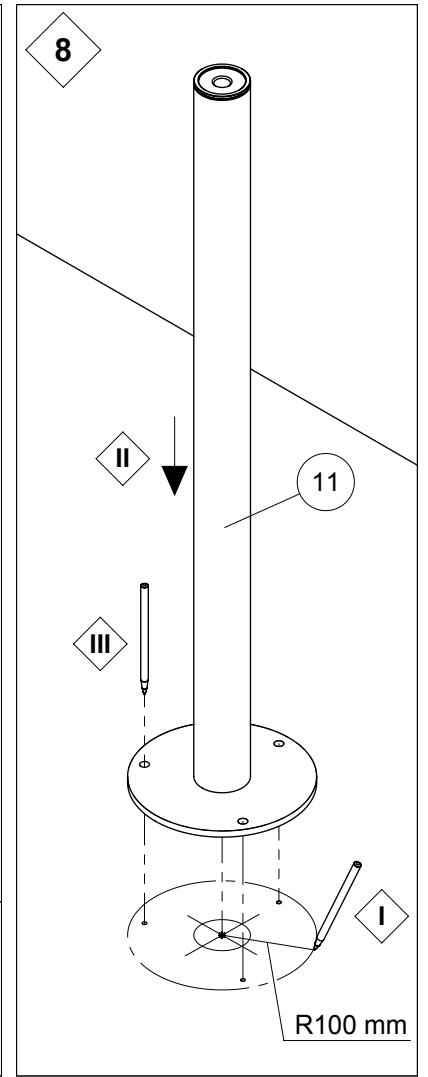
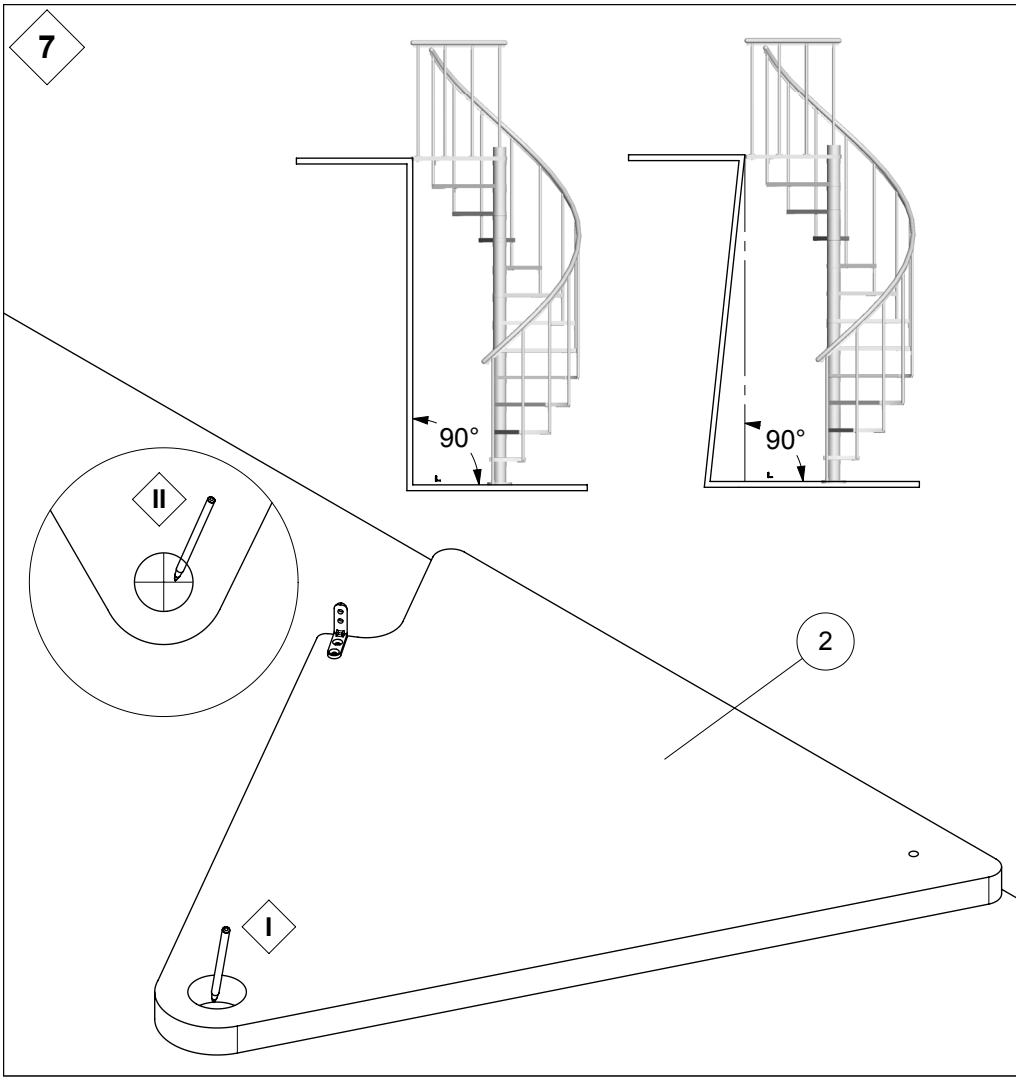
1 R

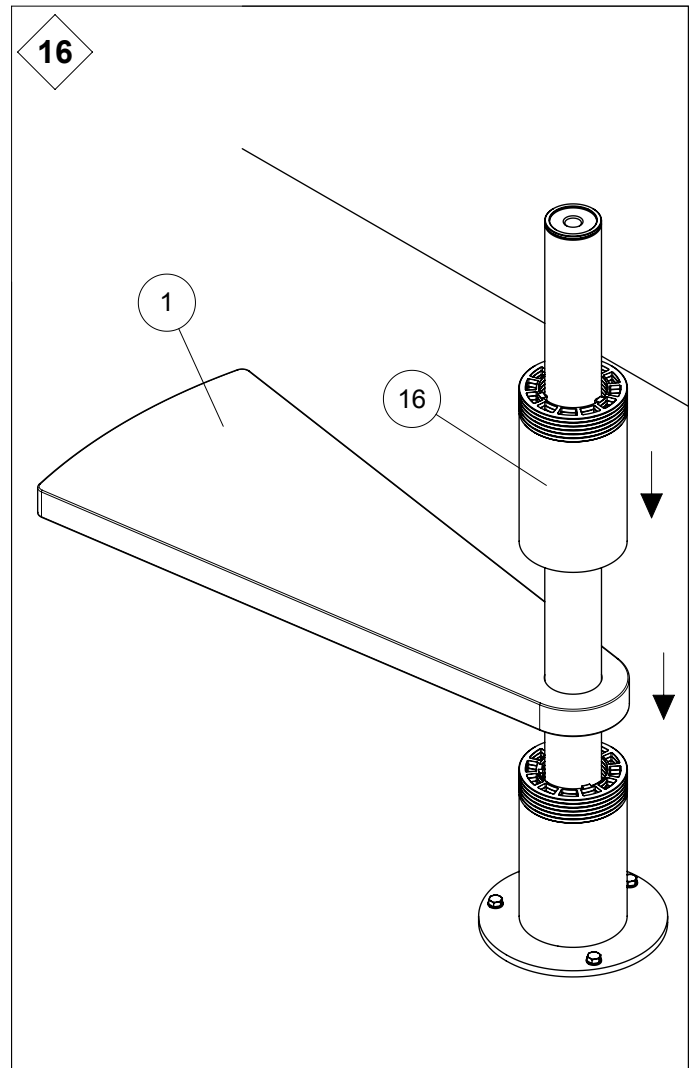
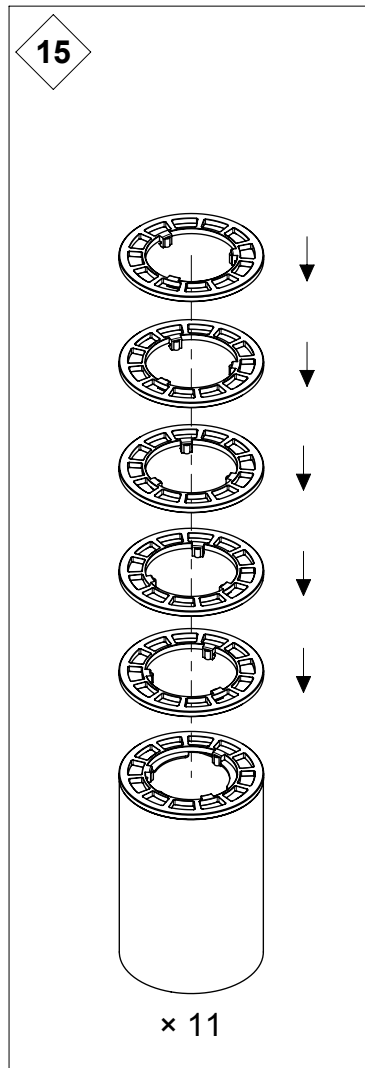
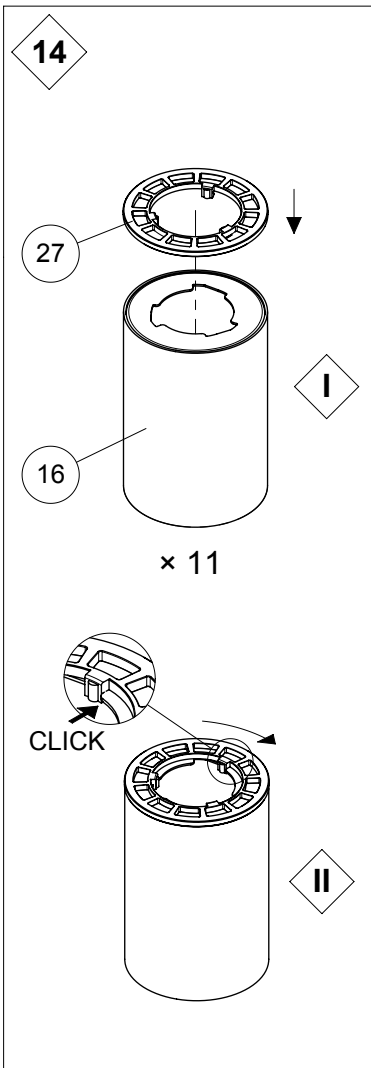
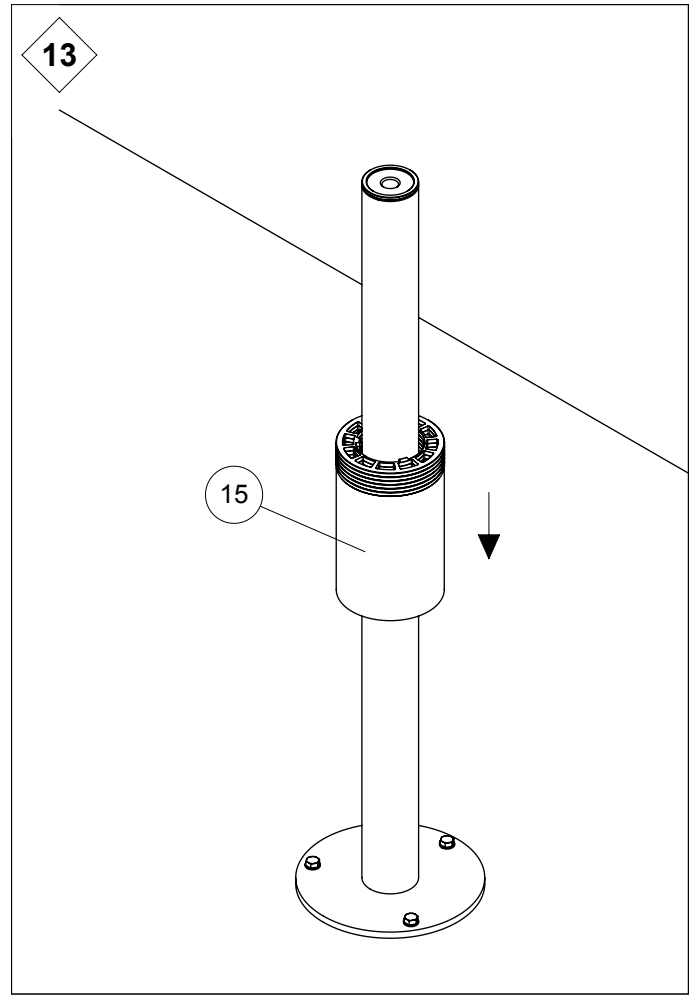
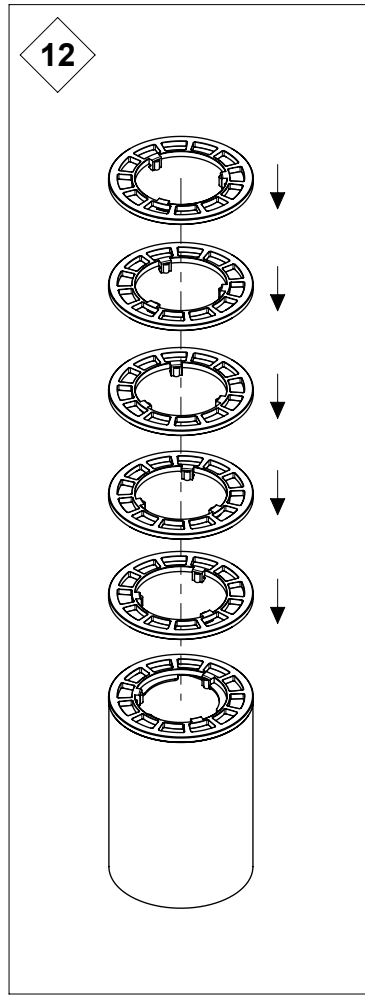
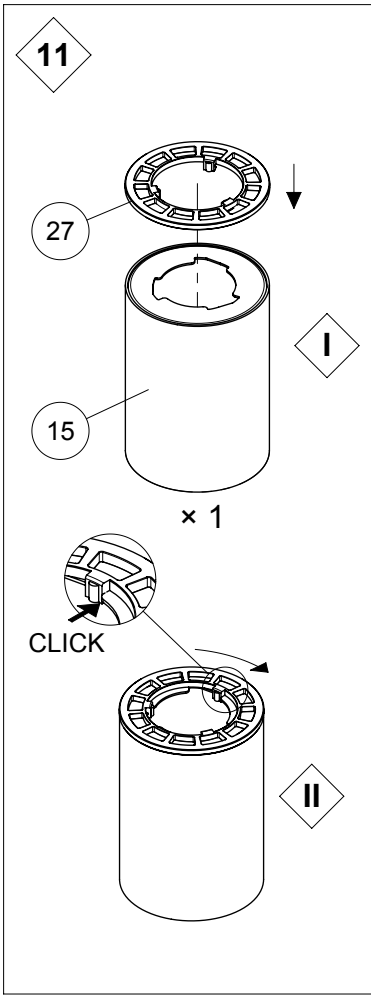




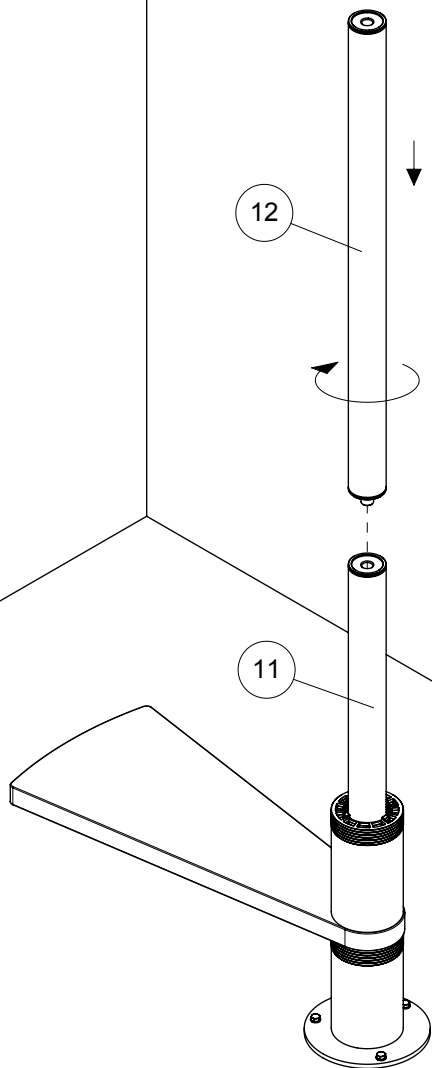




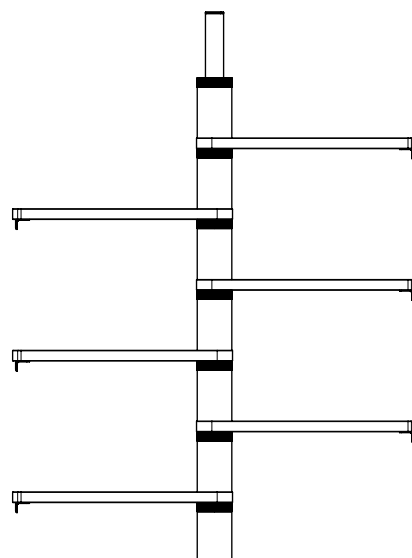
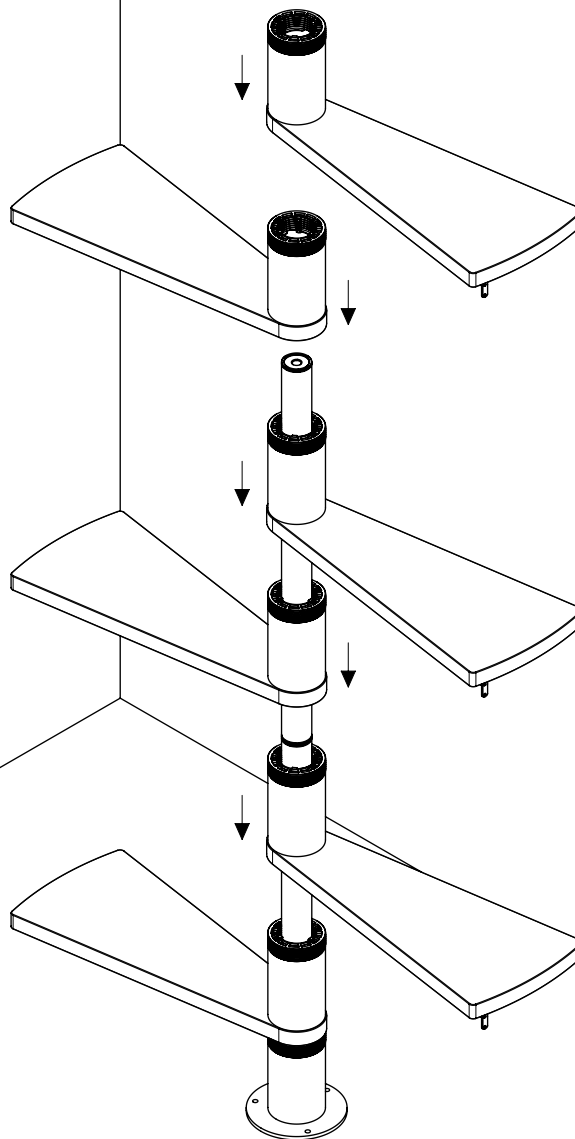


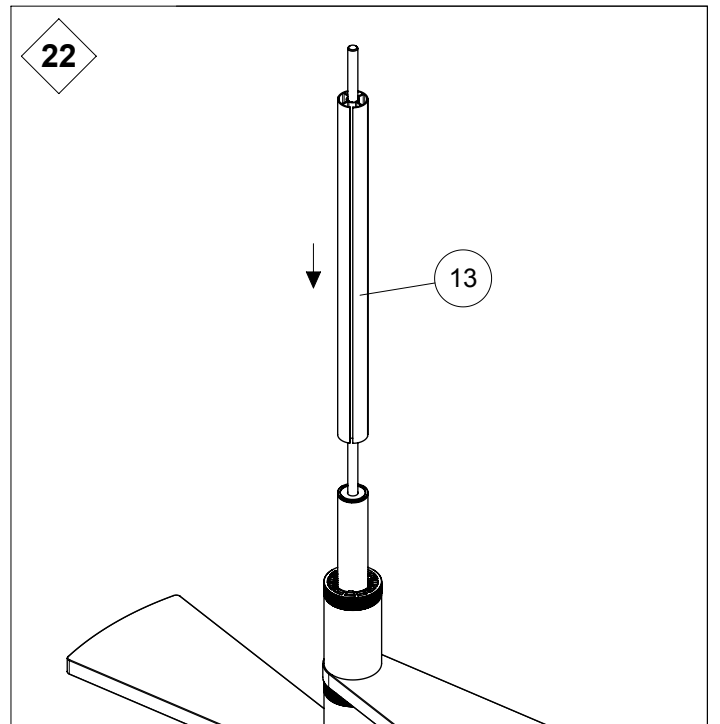
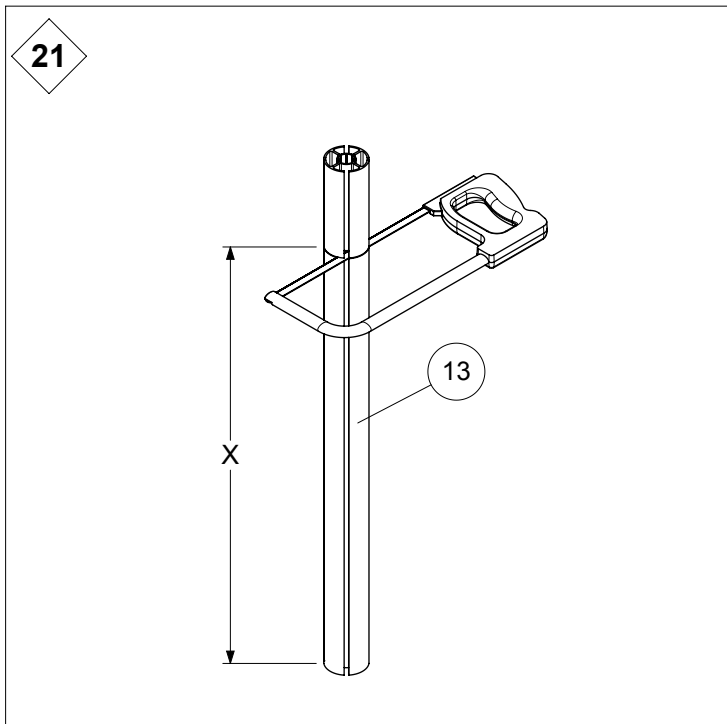
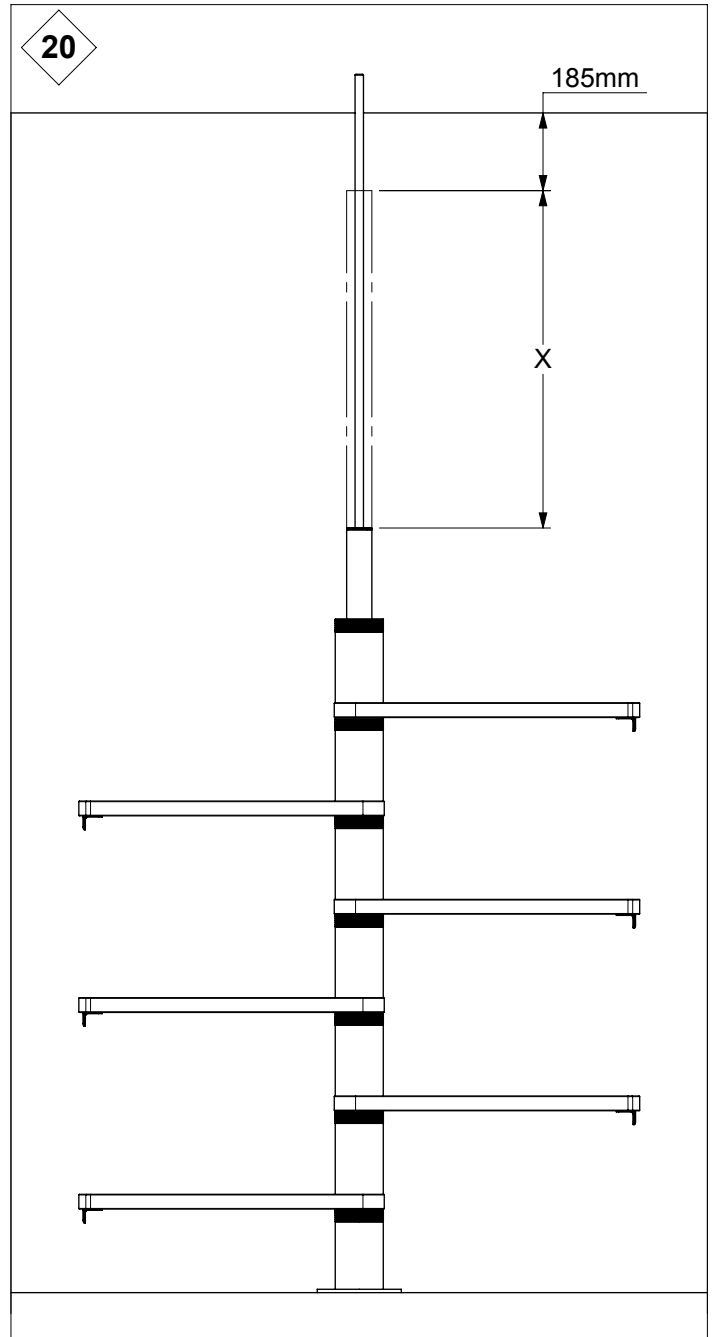
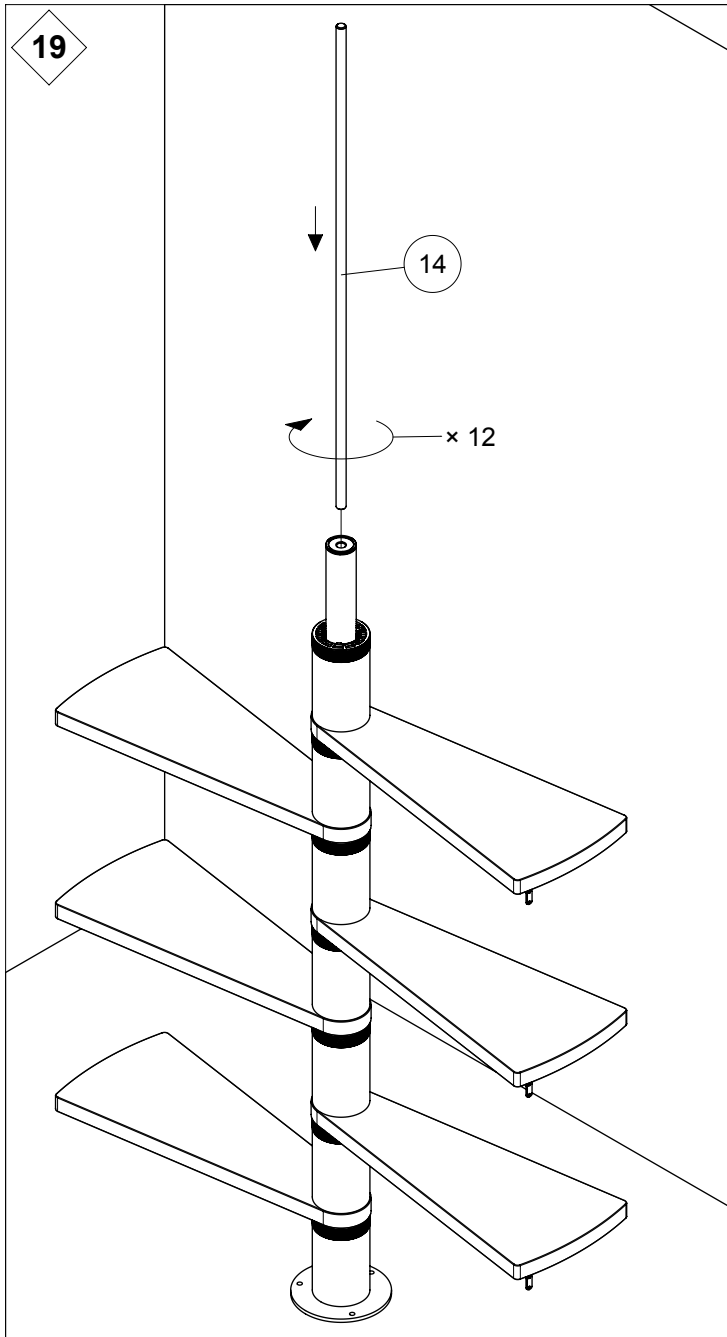


17

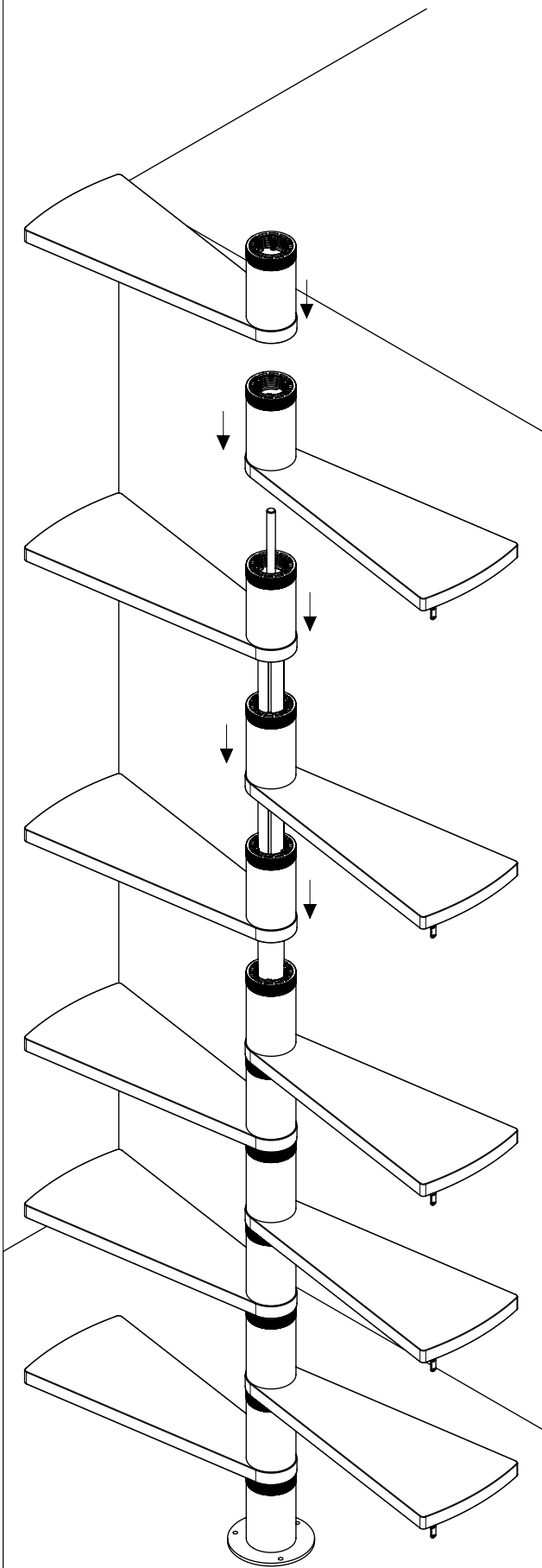


18

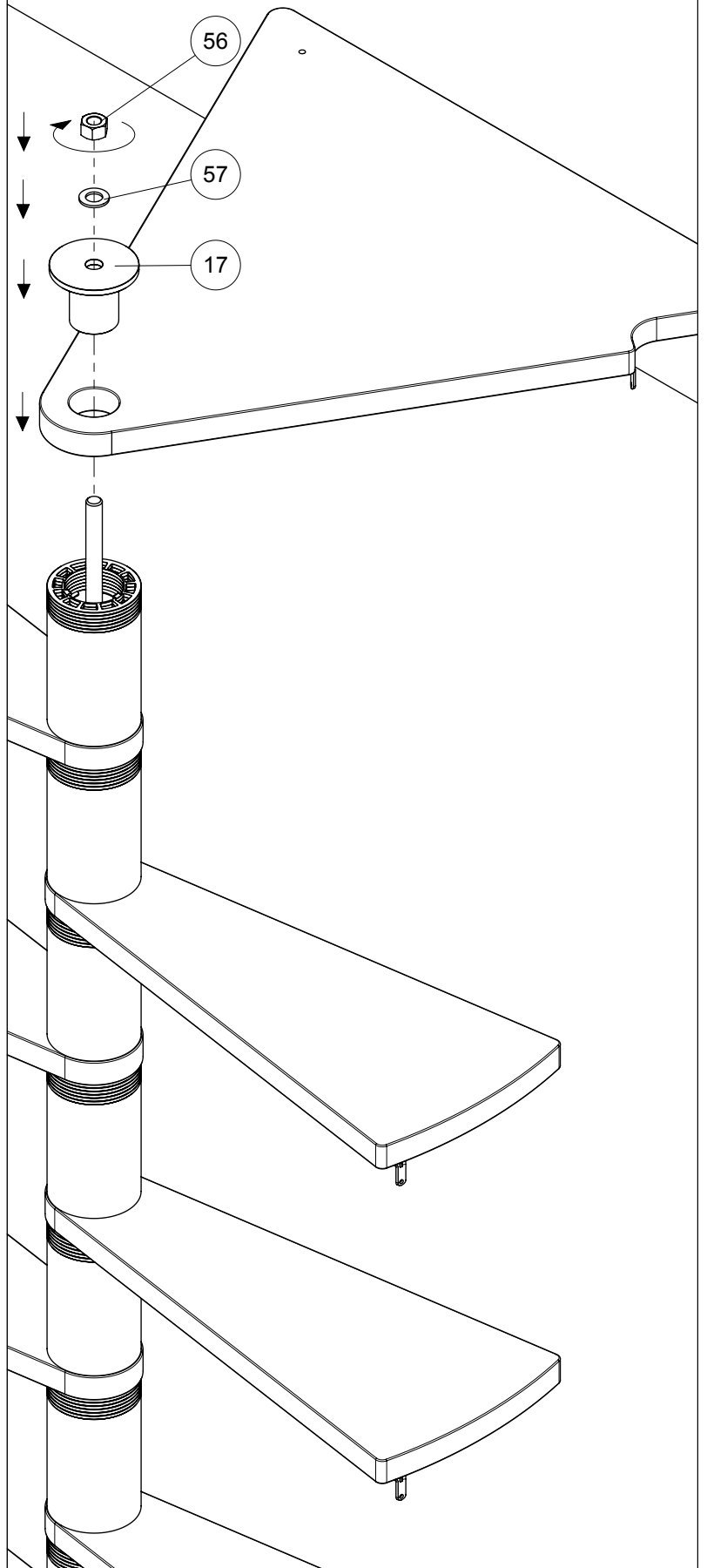


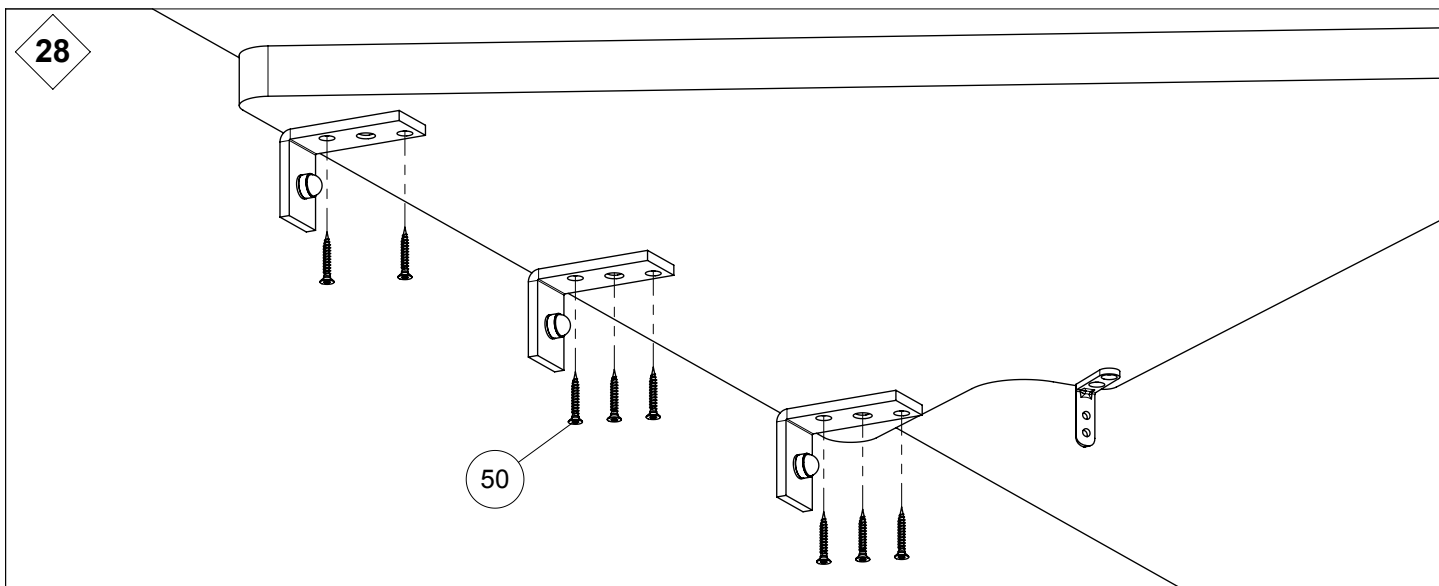
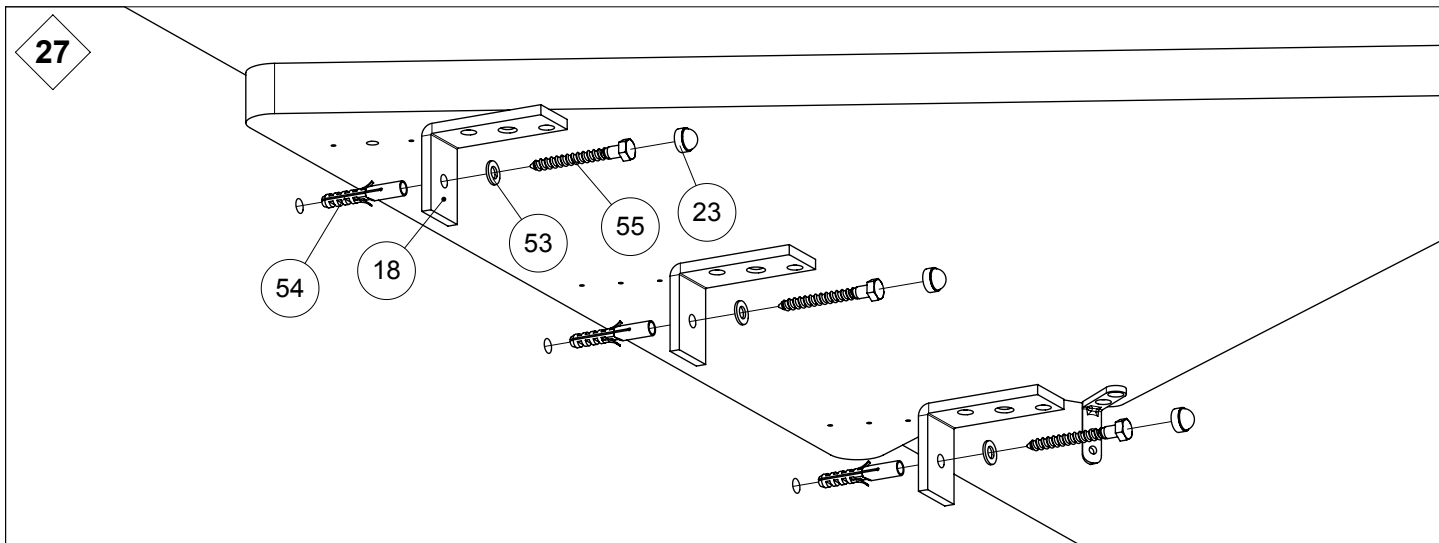
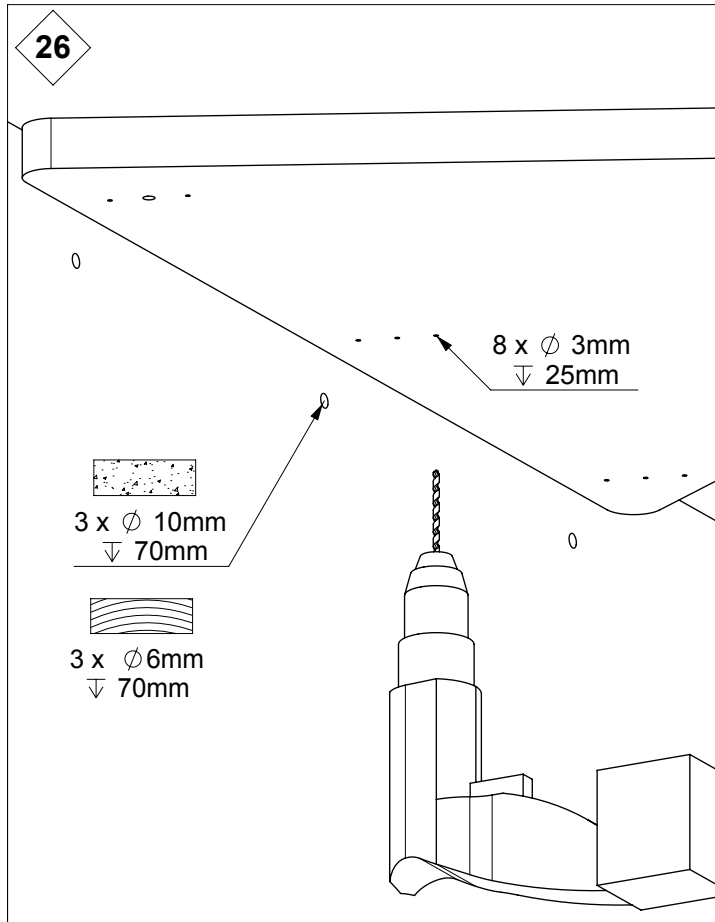
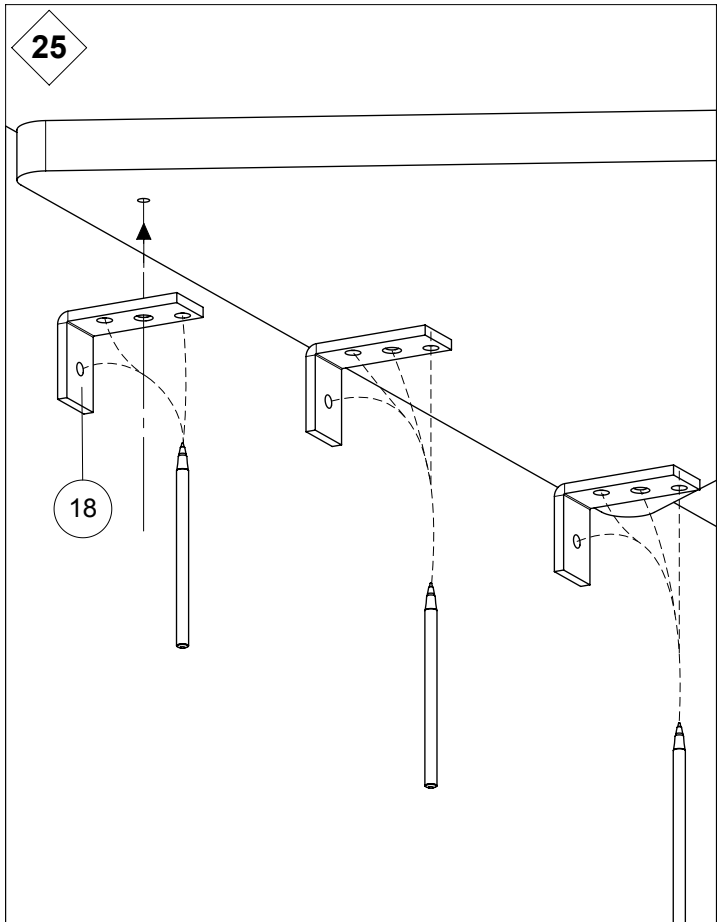


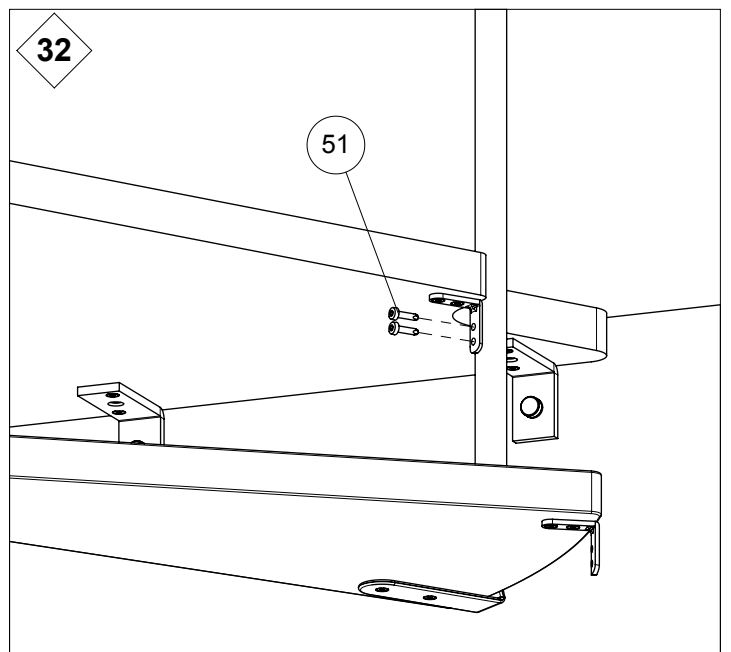
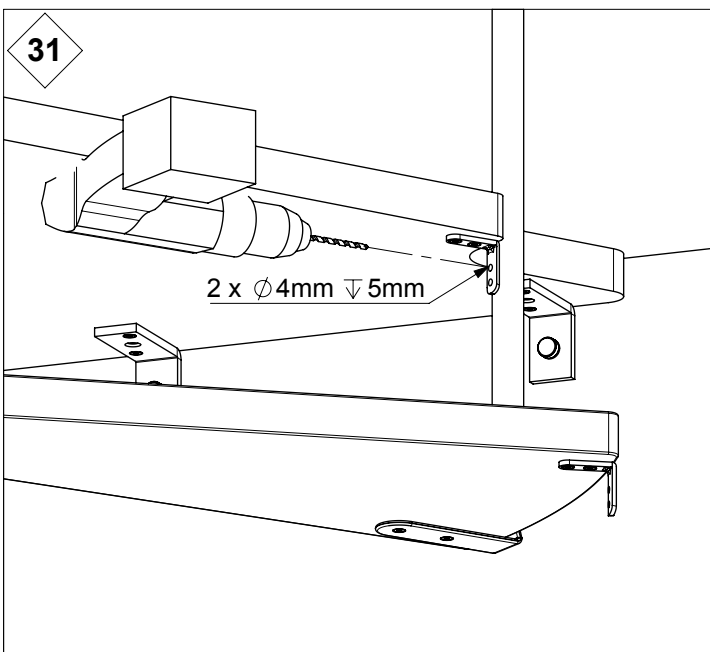
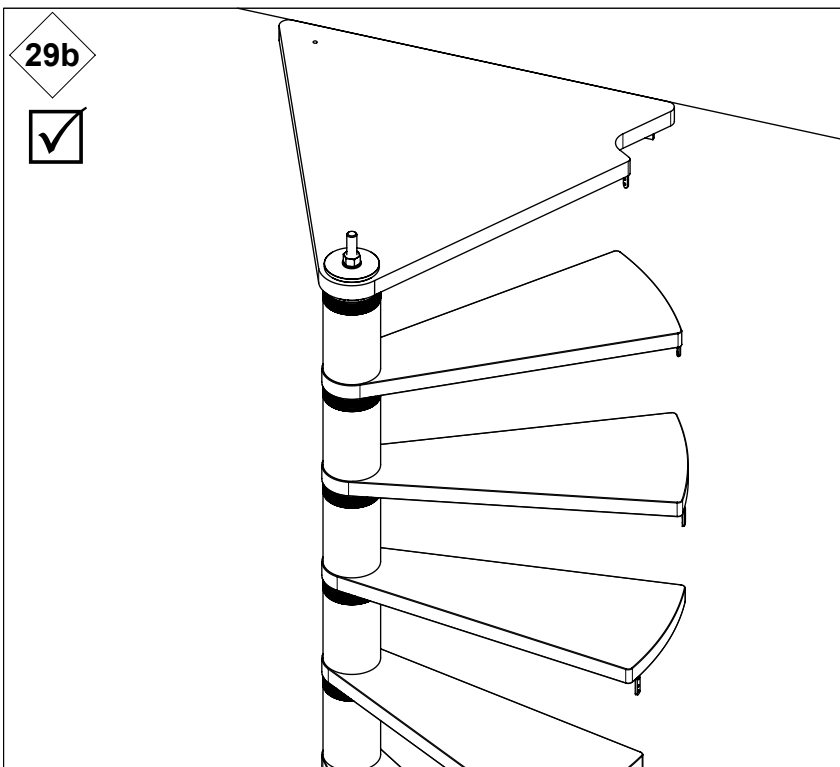
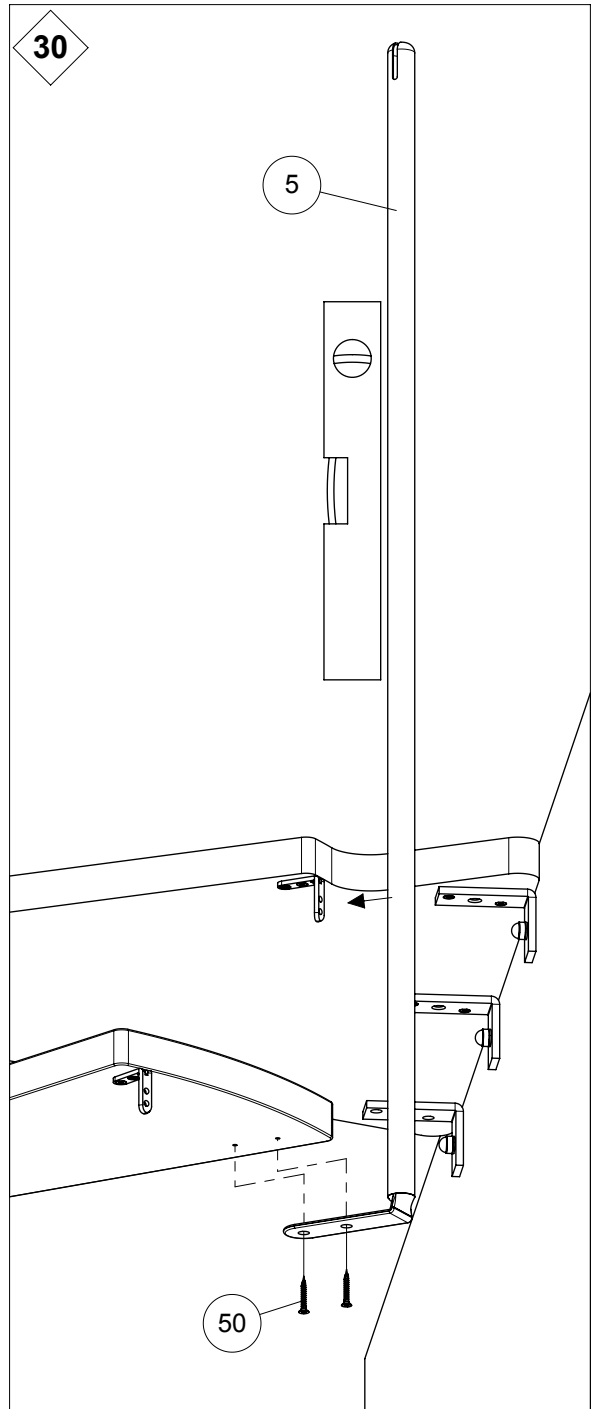
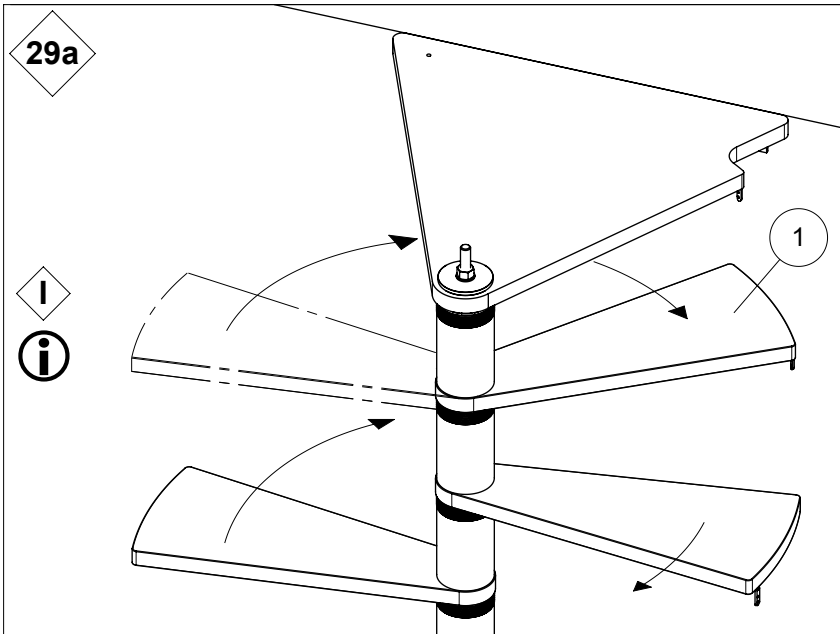
23

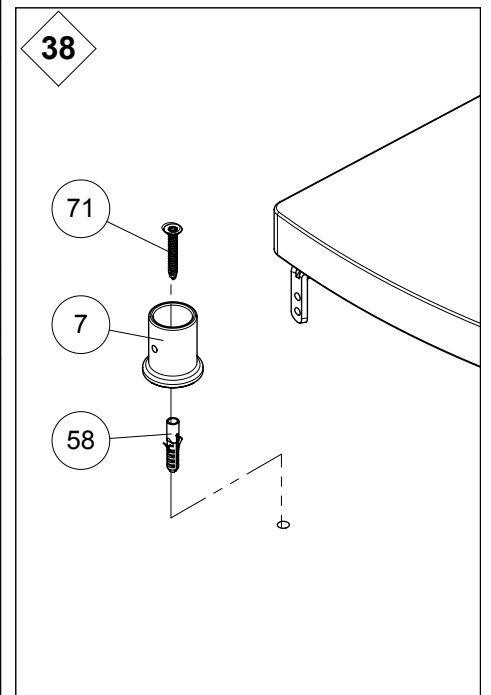
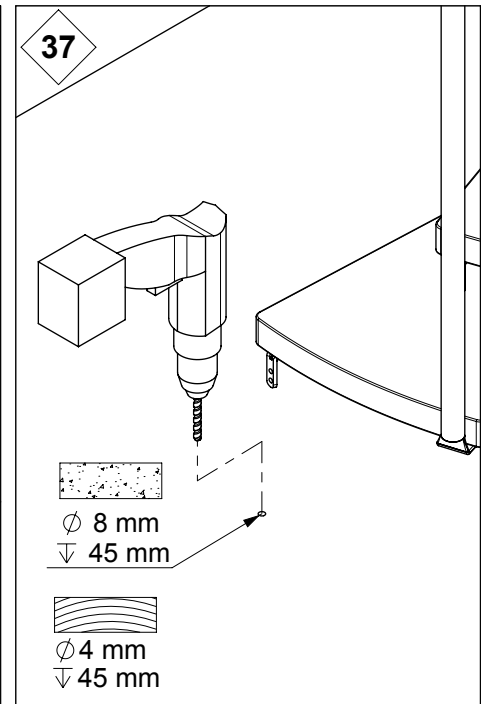
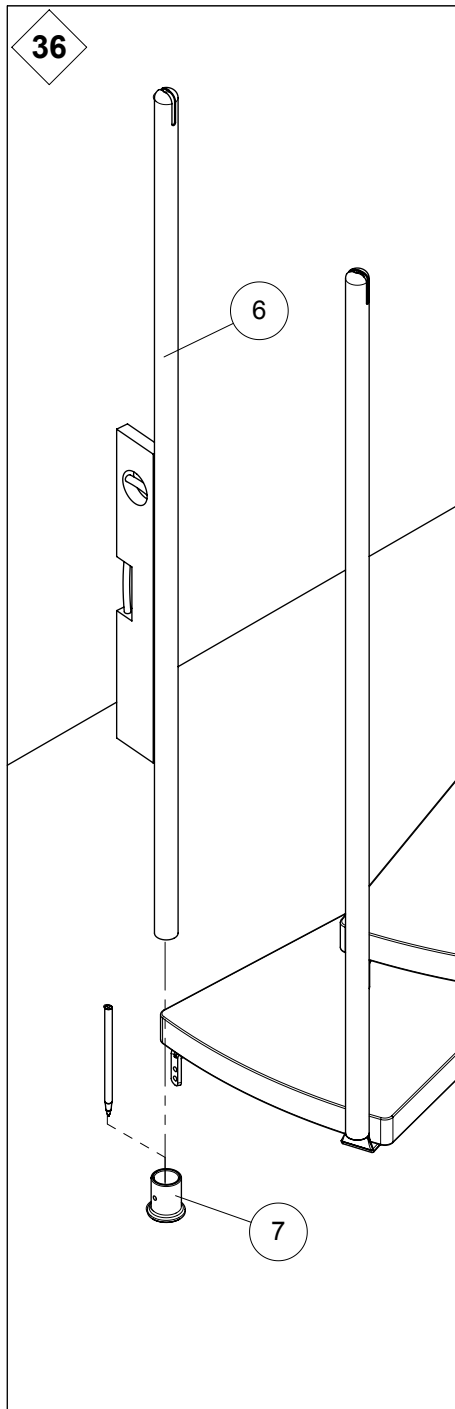
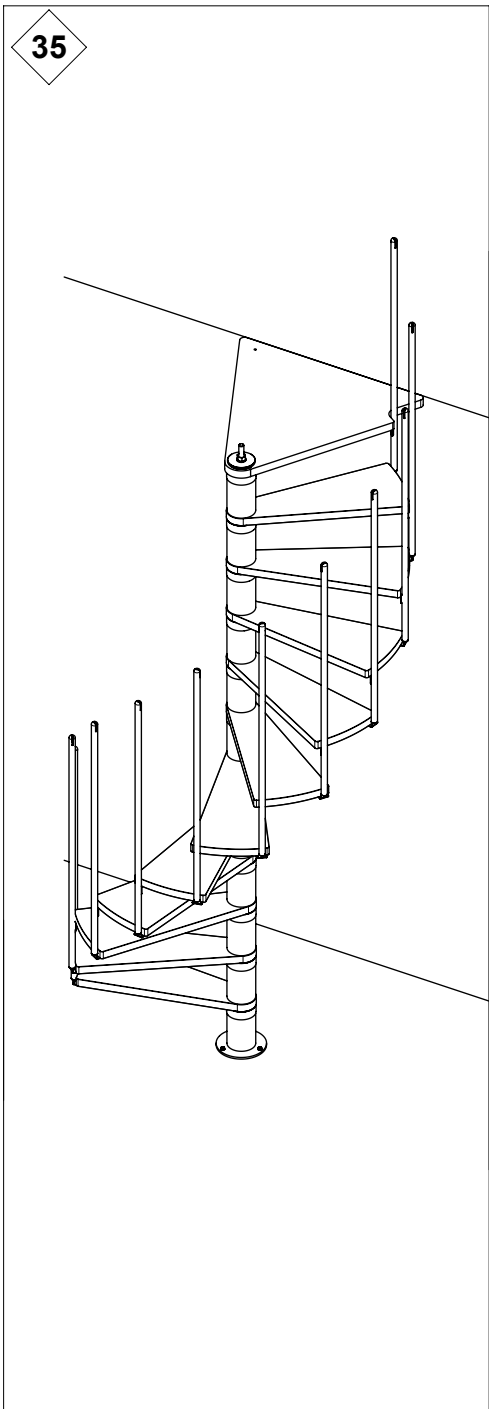
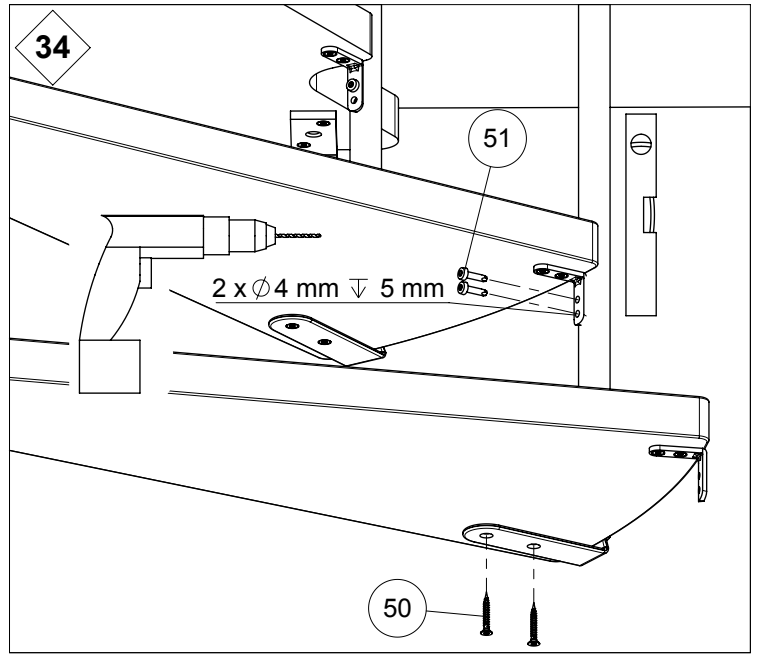
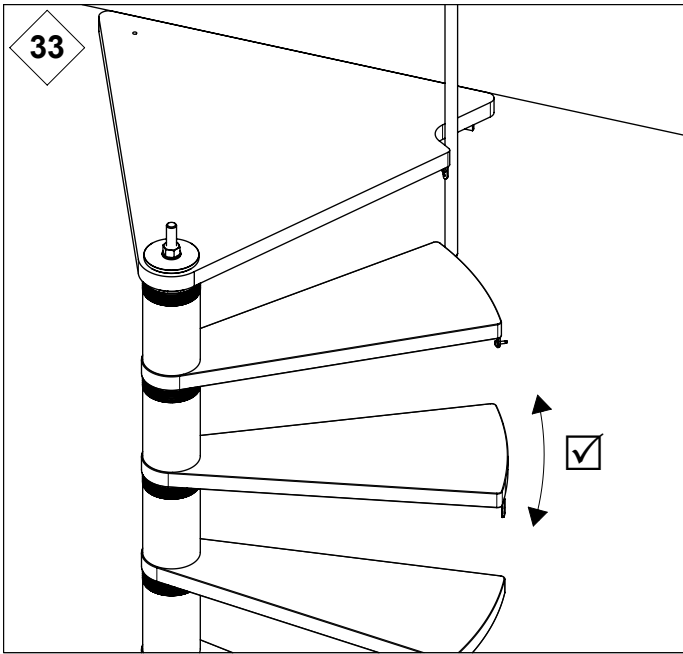


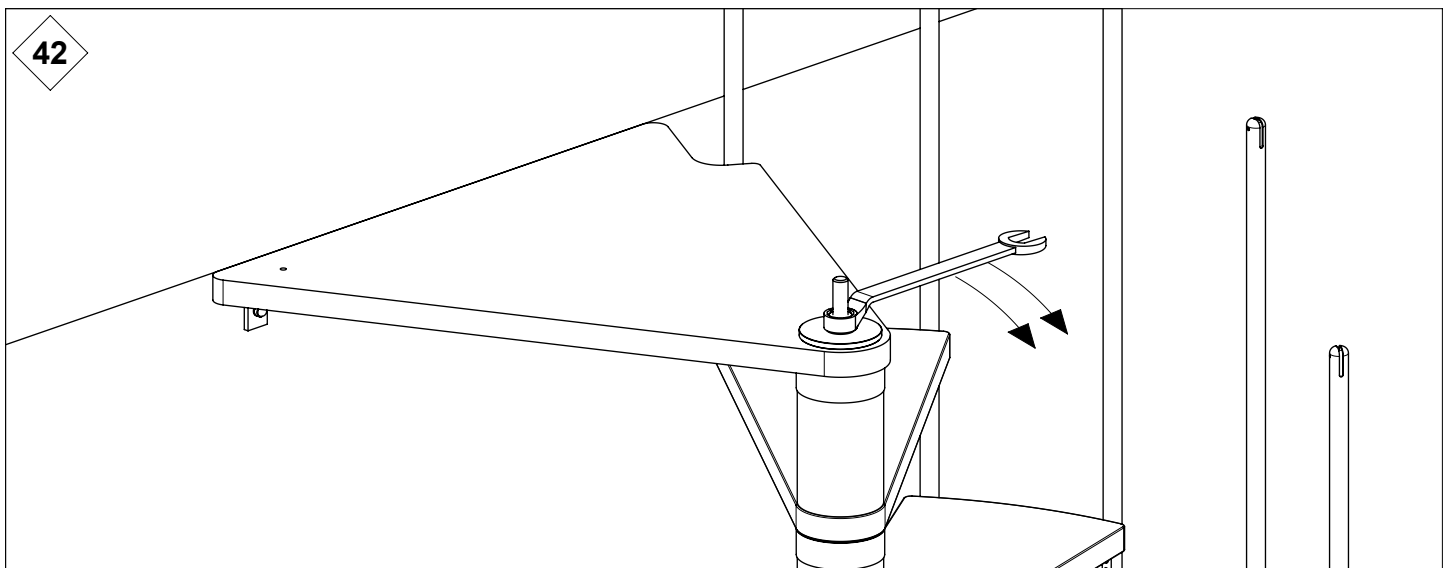
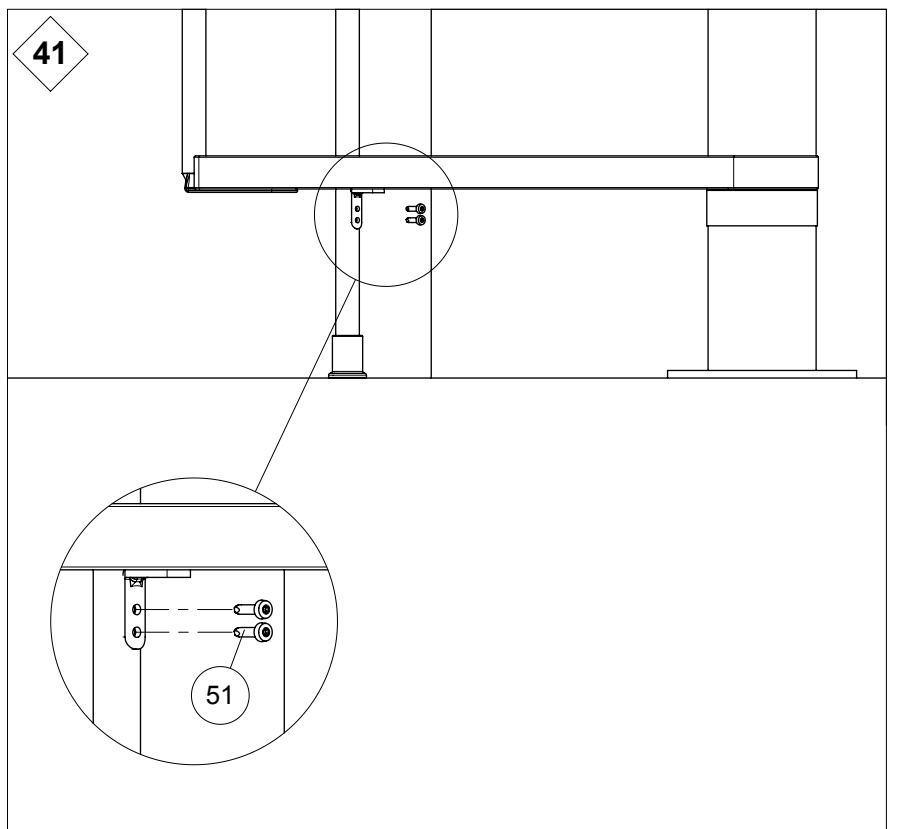
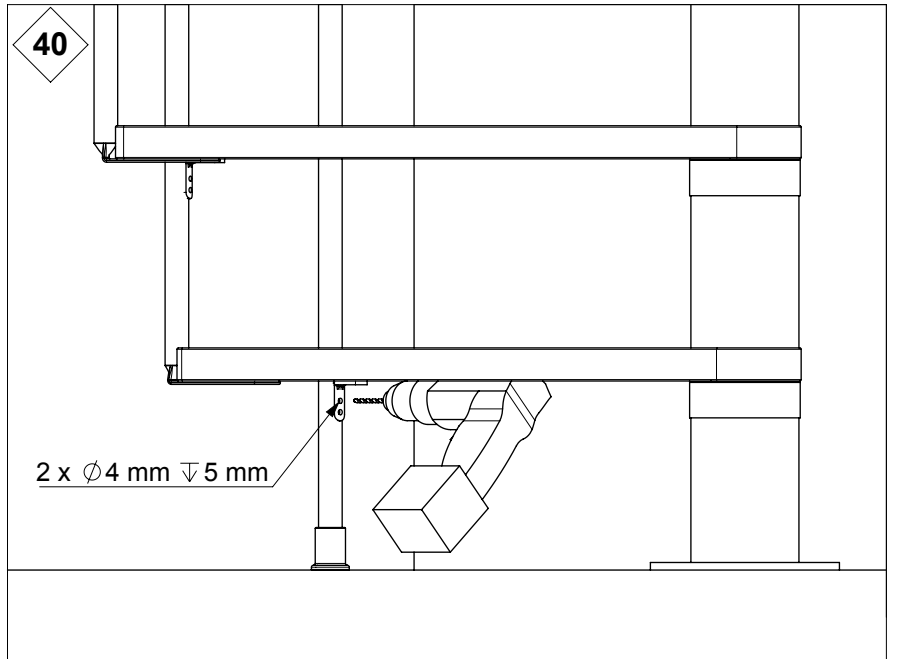
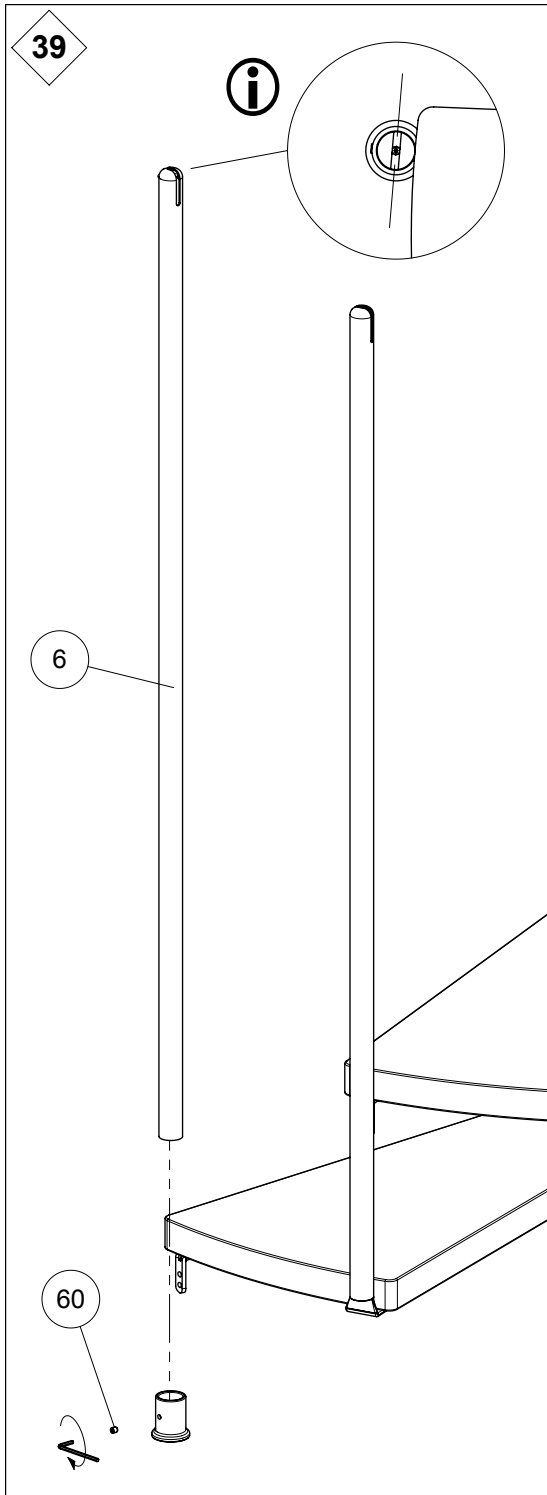
24

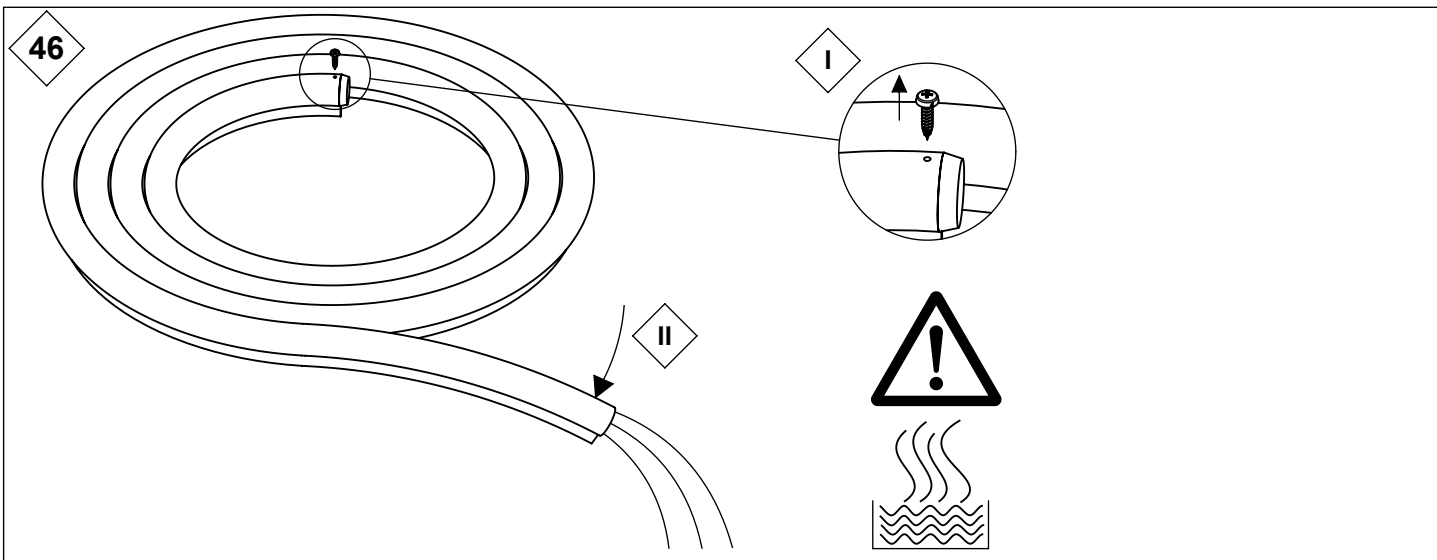
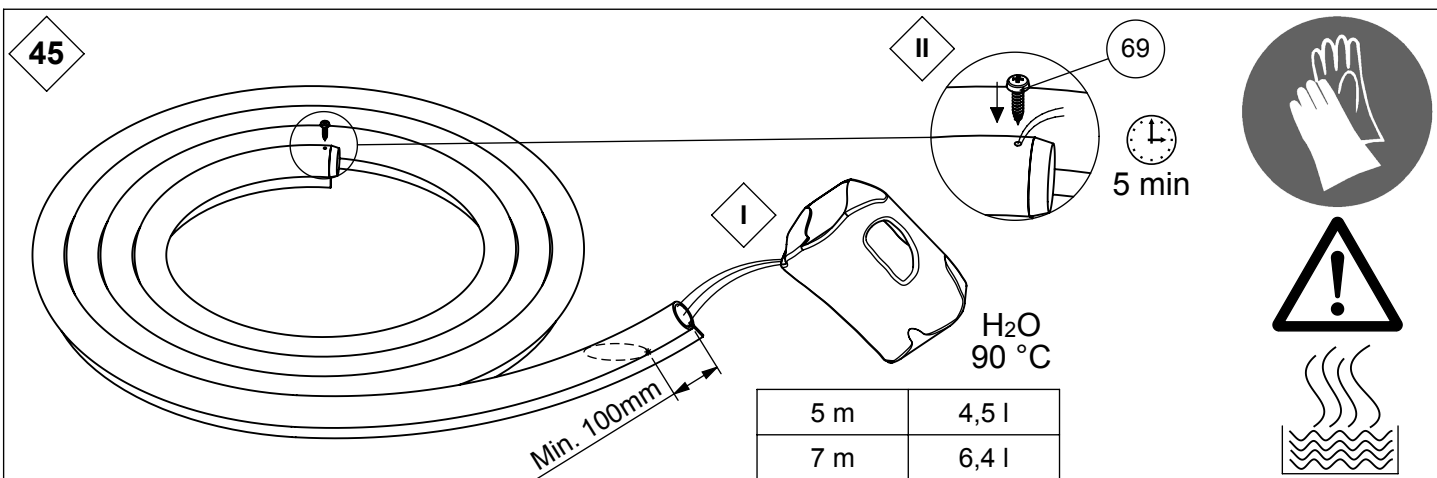
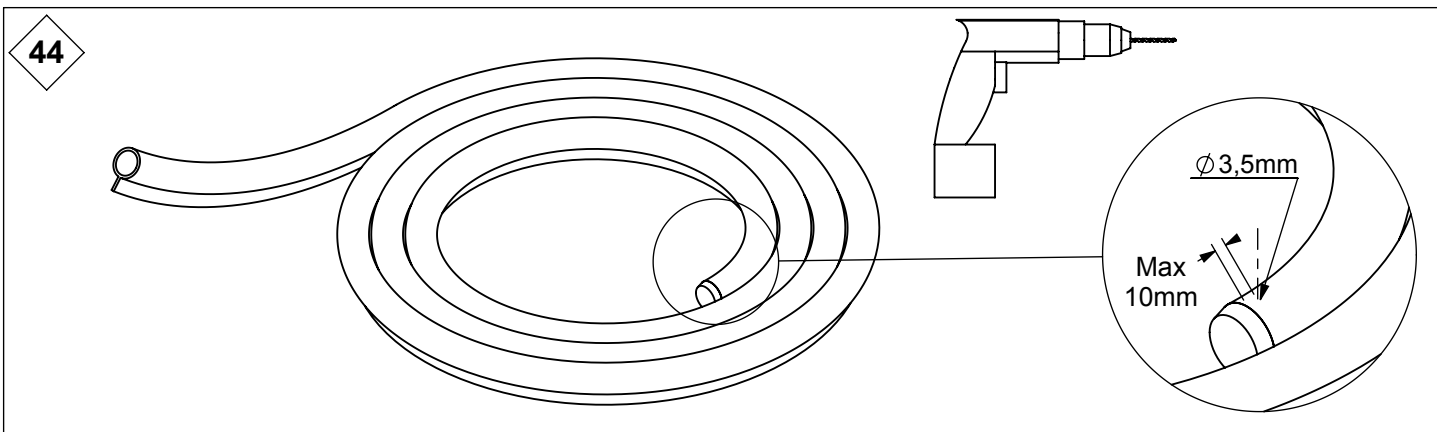
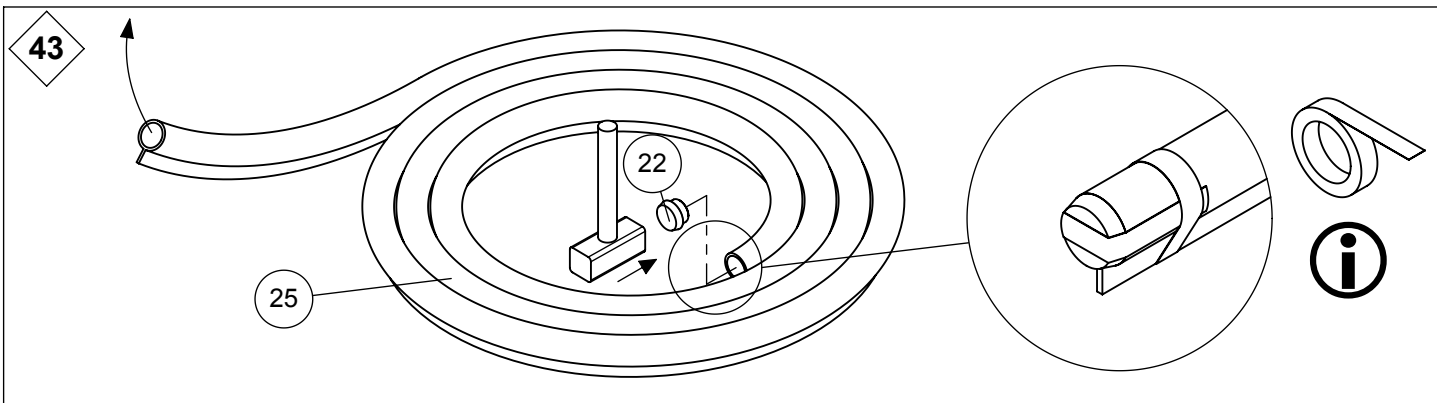
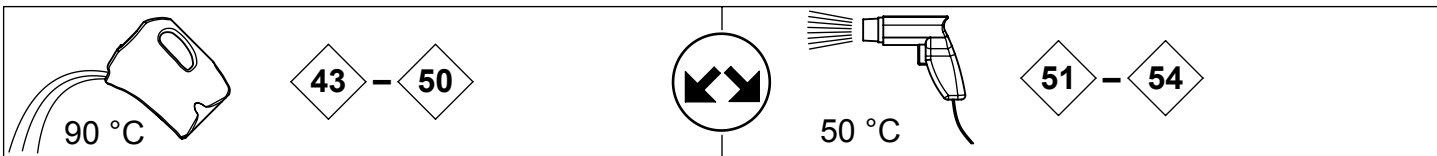


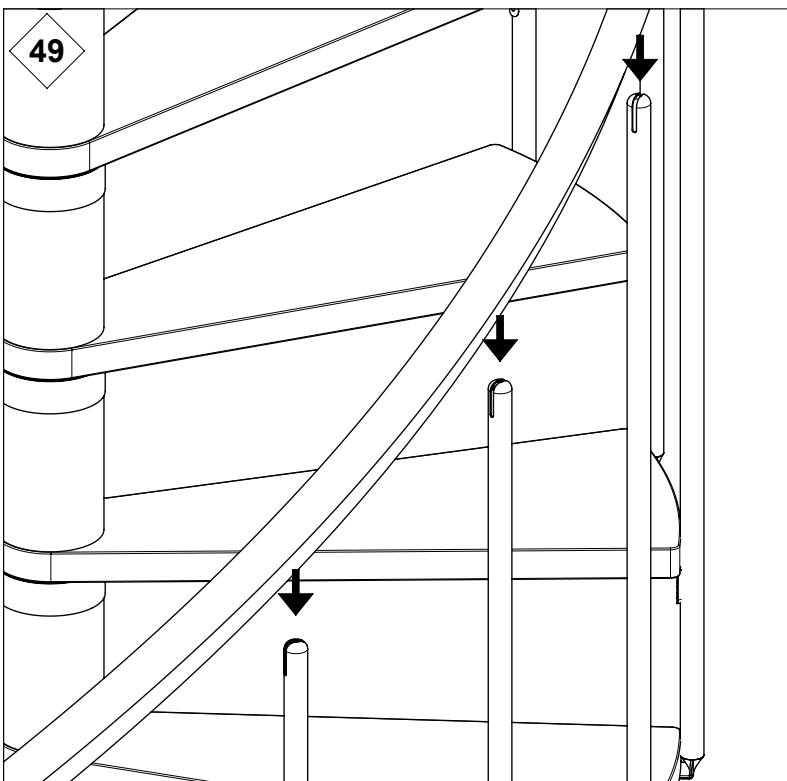
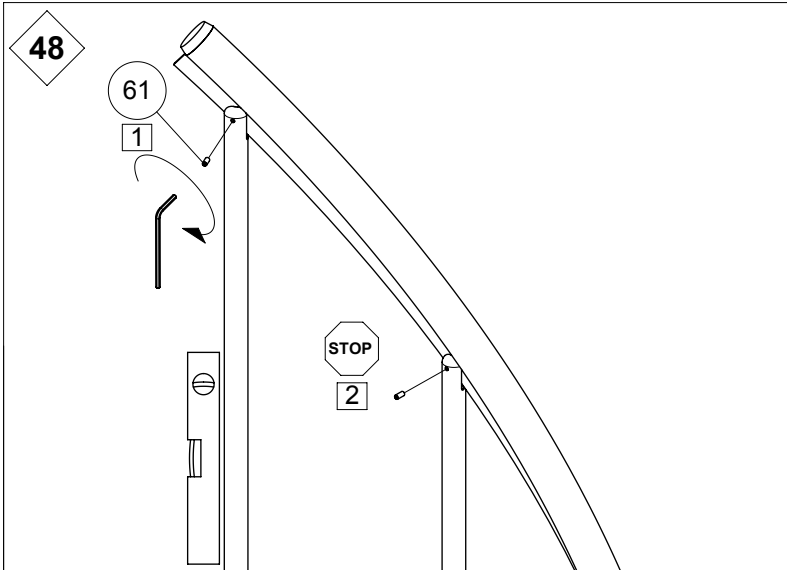
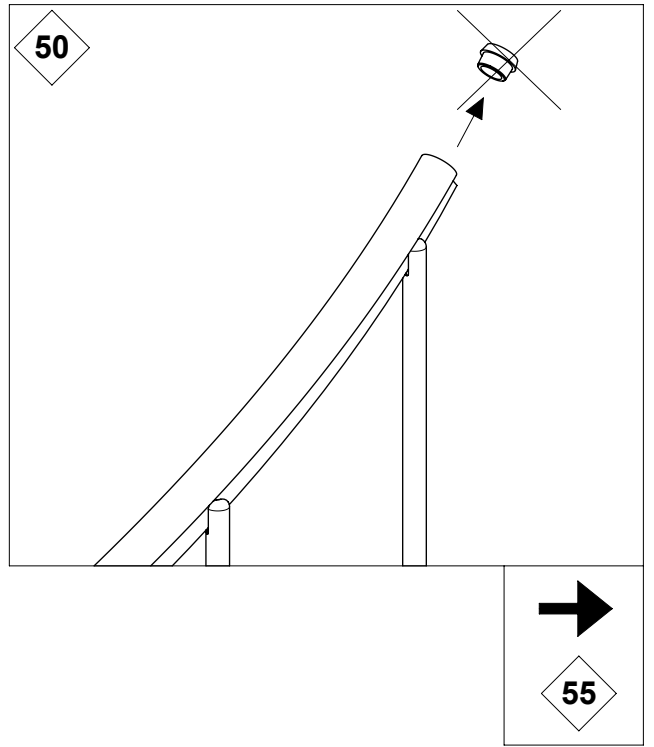
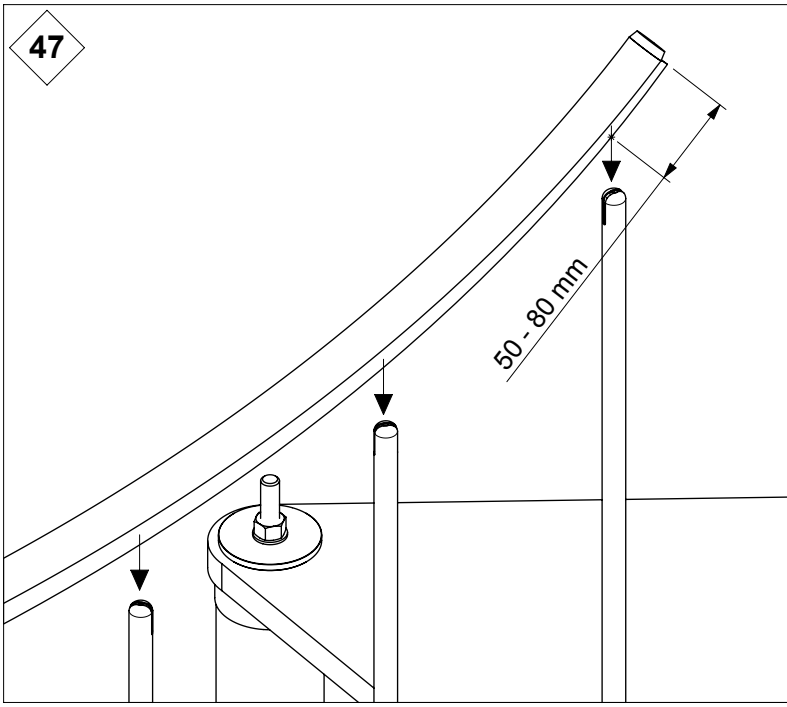


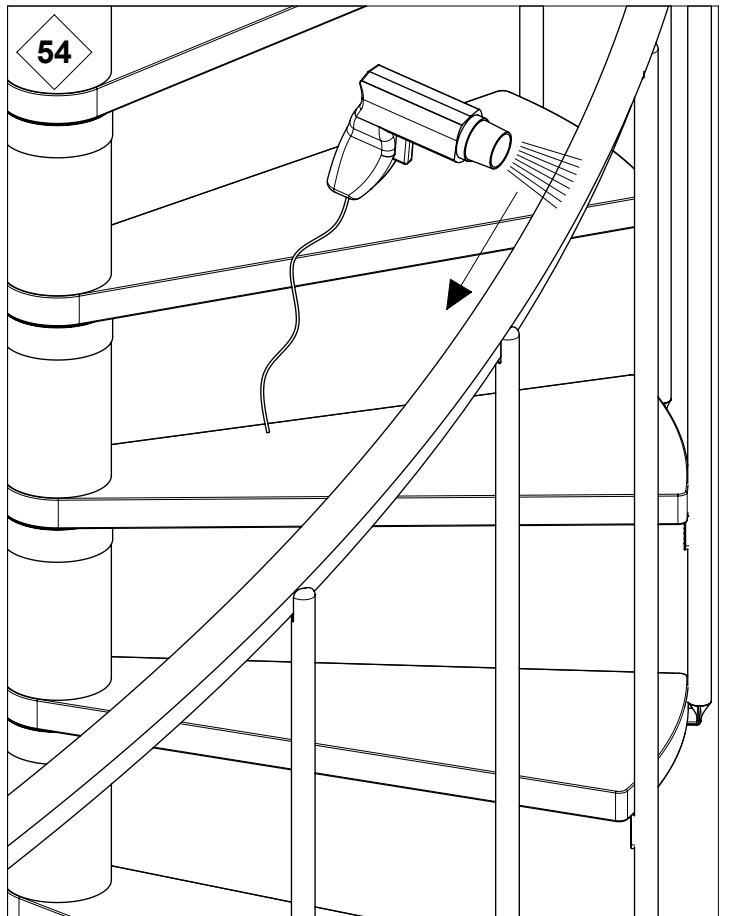
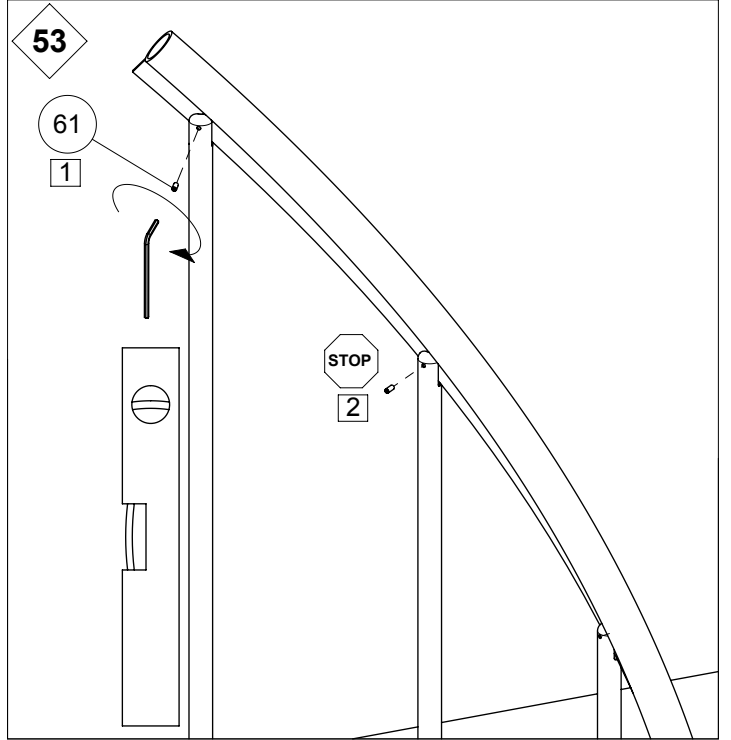
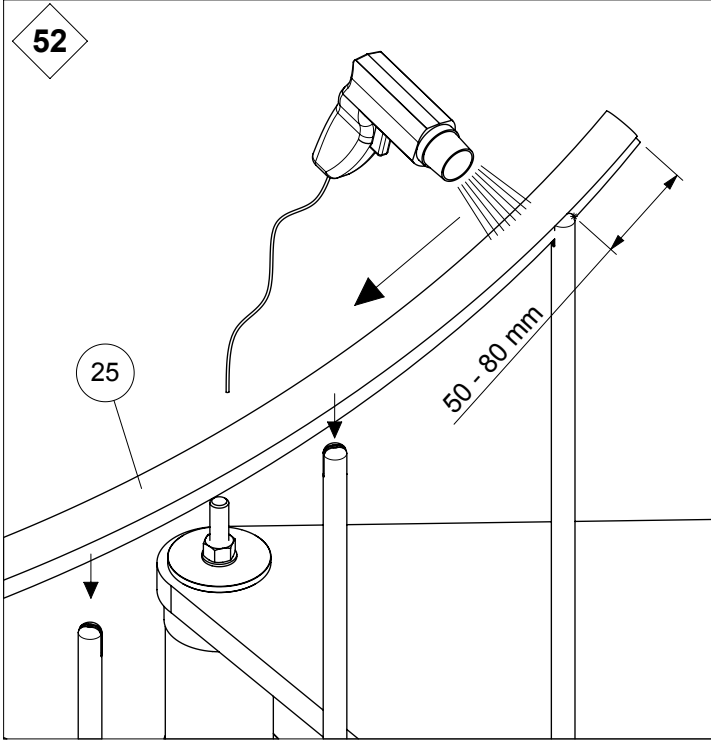
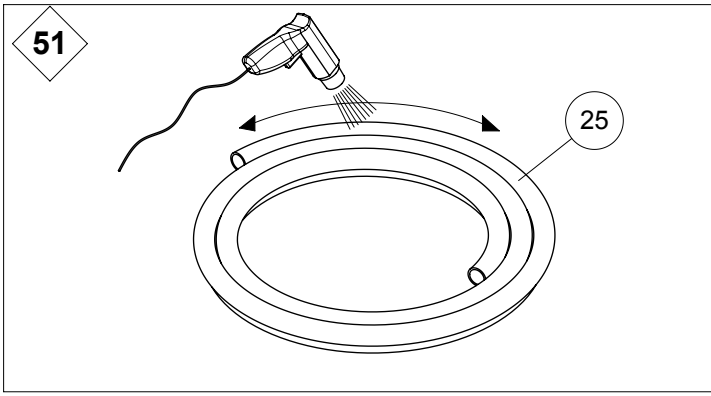


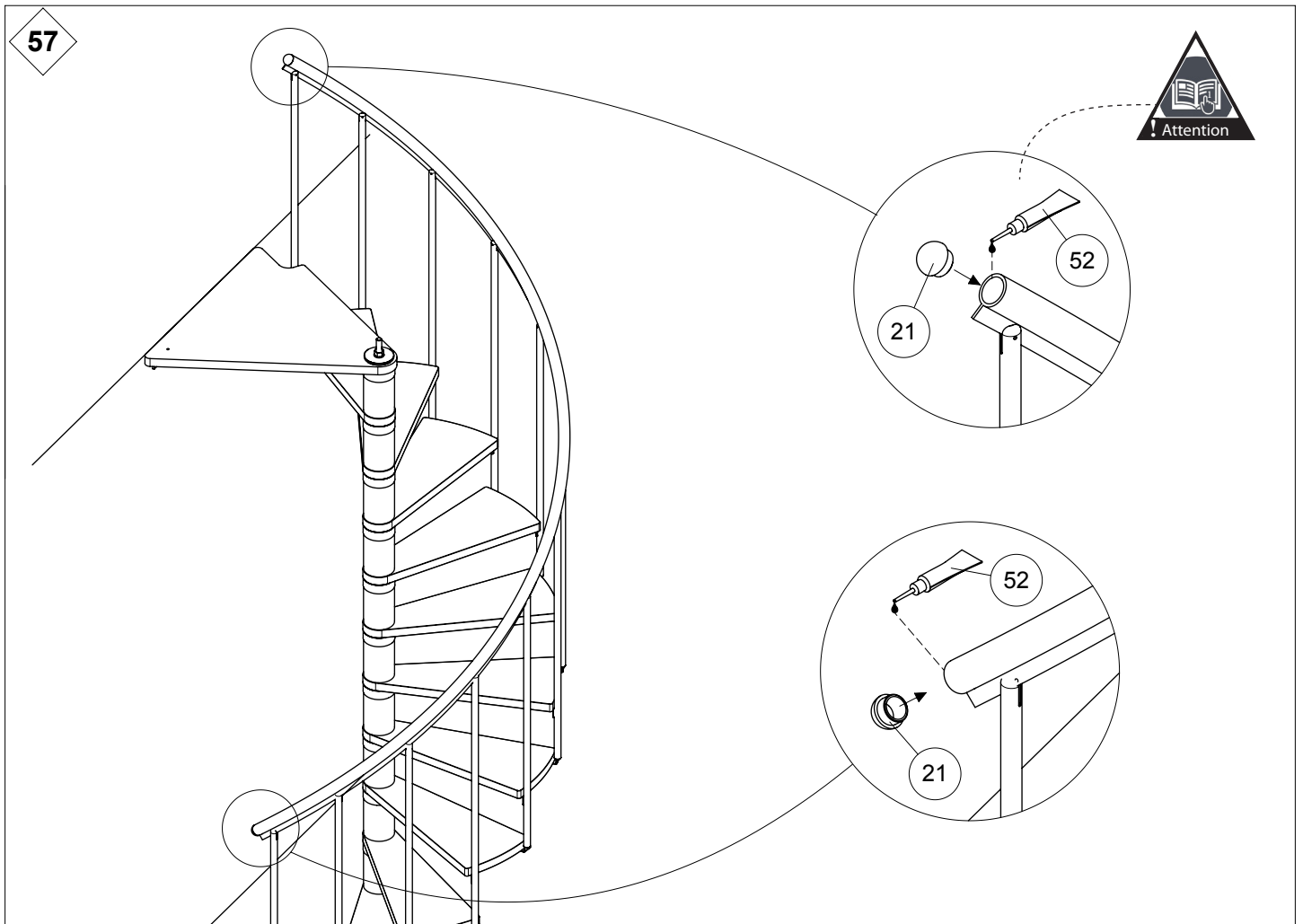
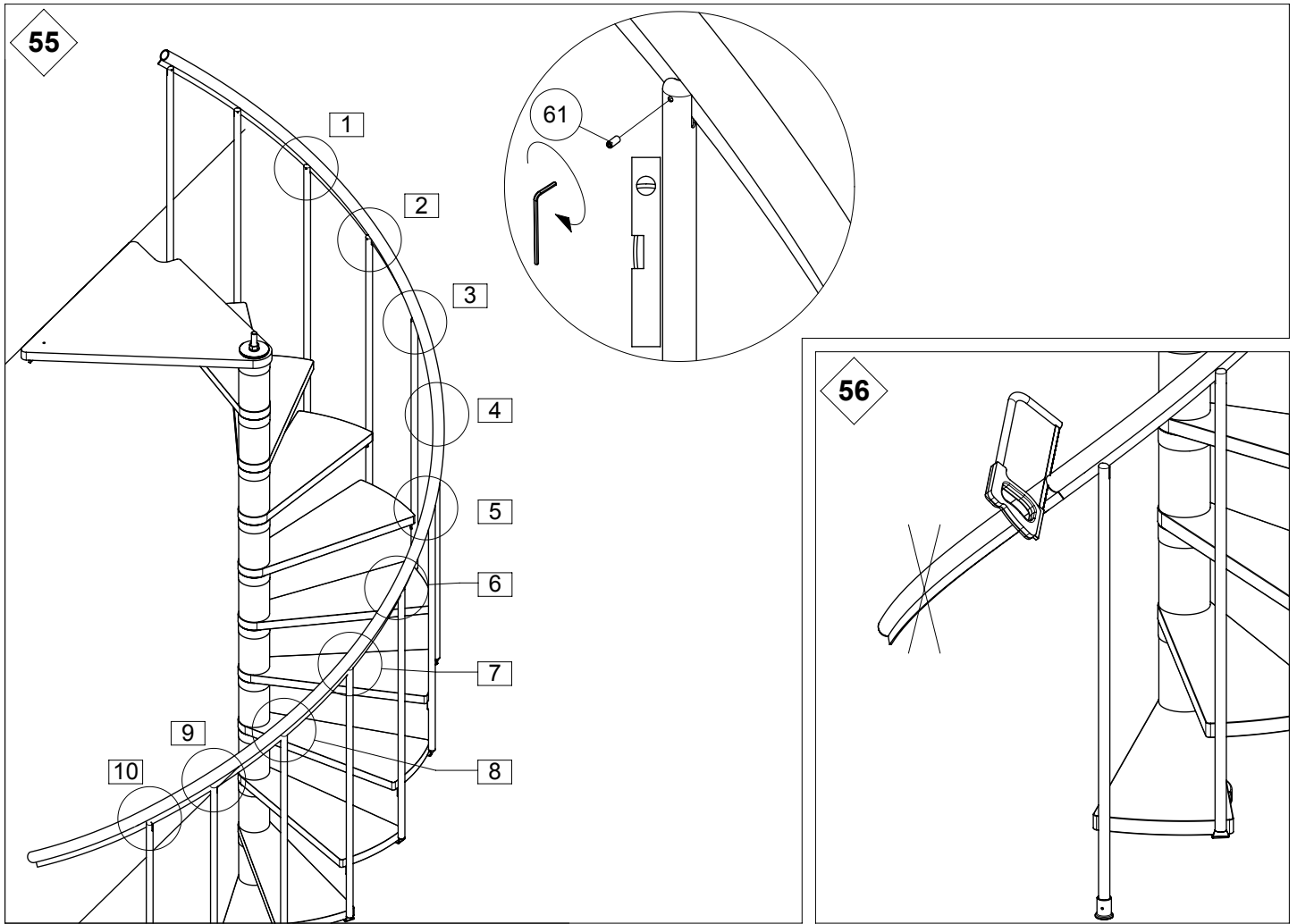


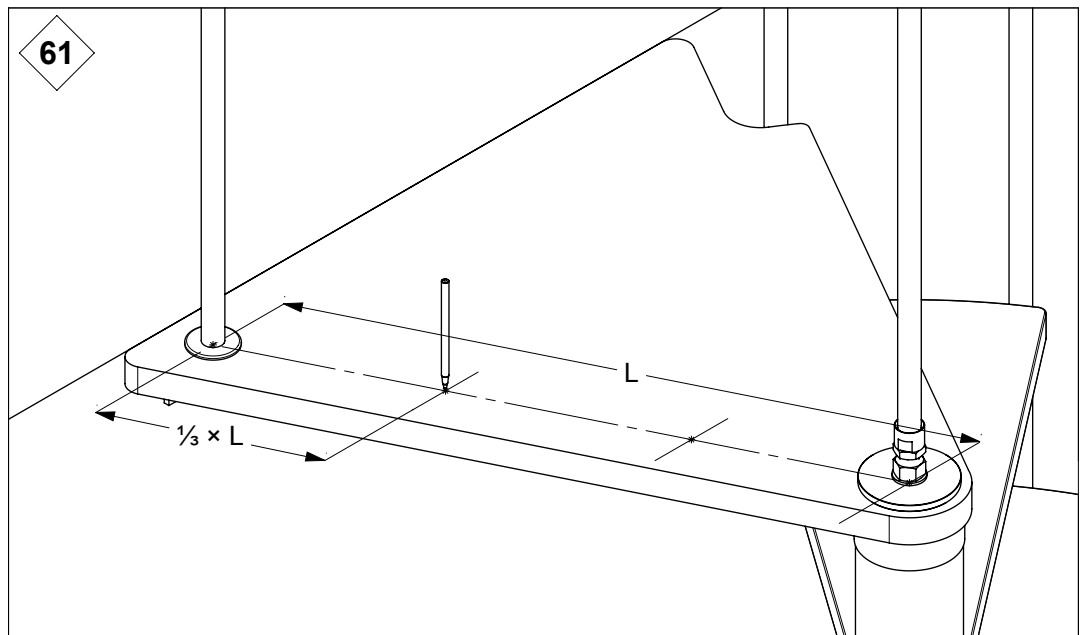
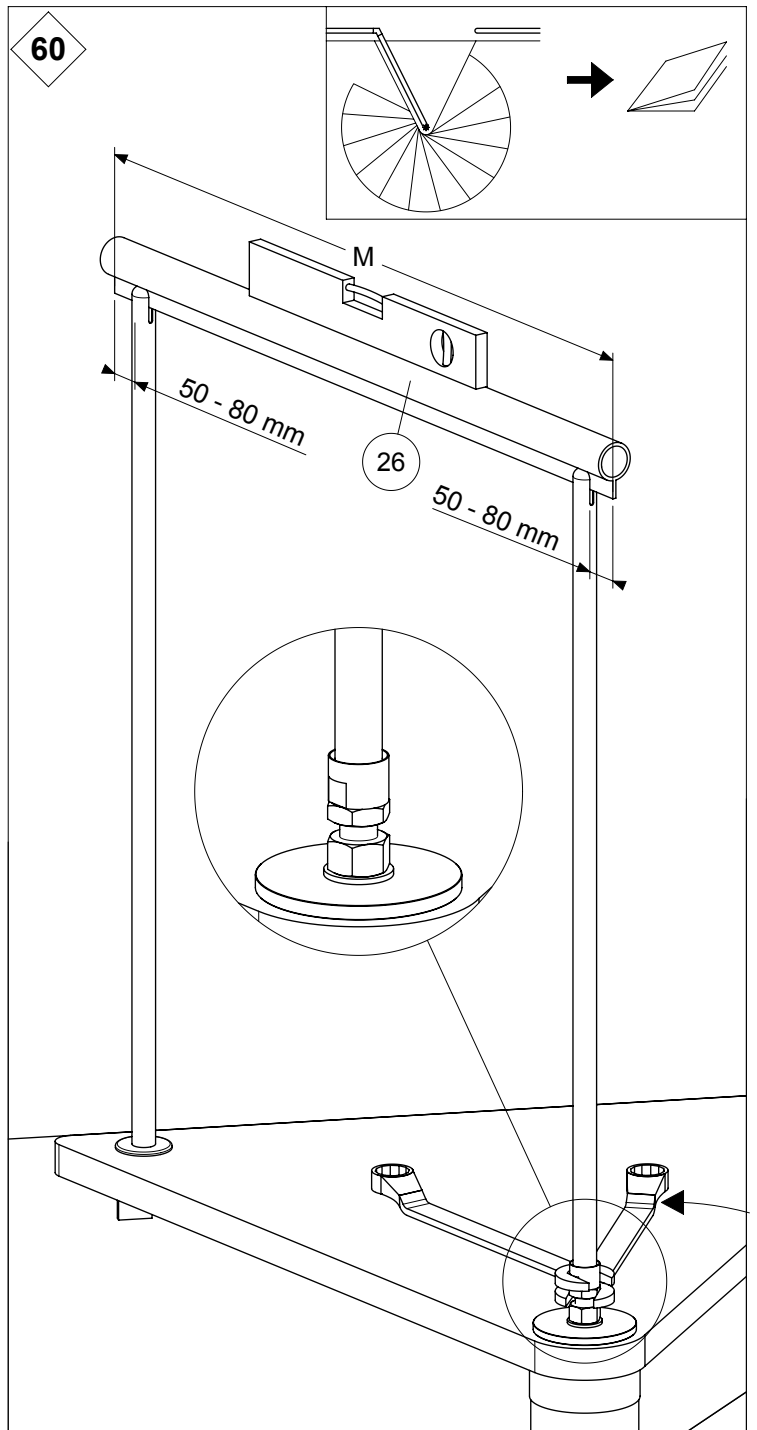
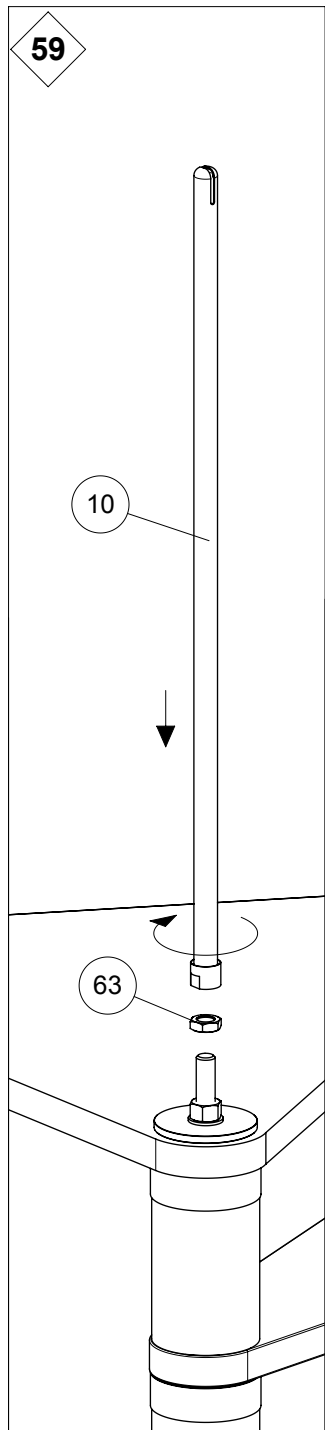
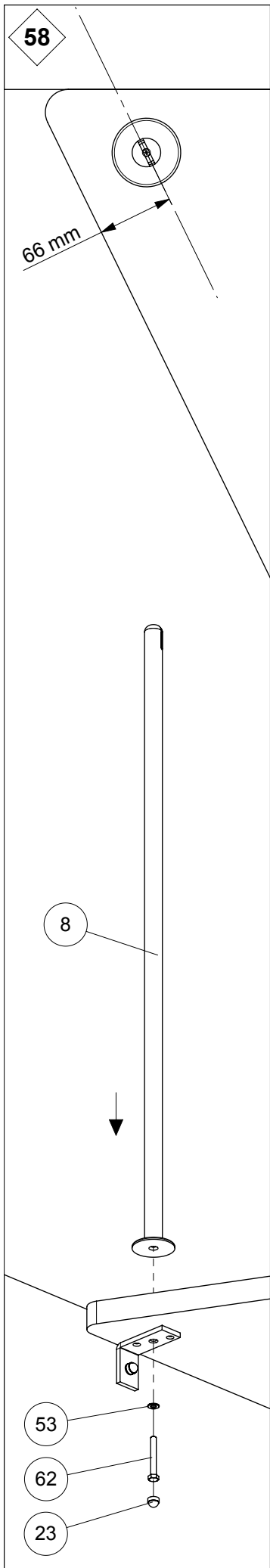


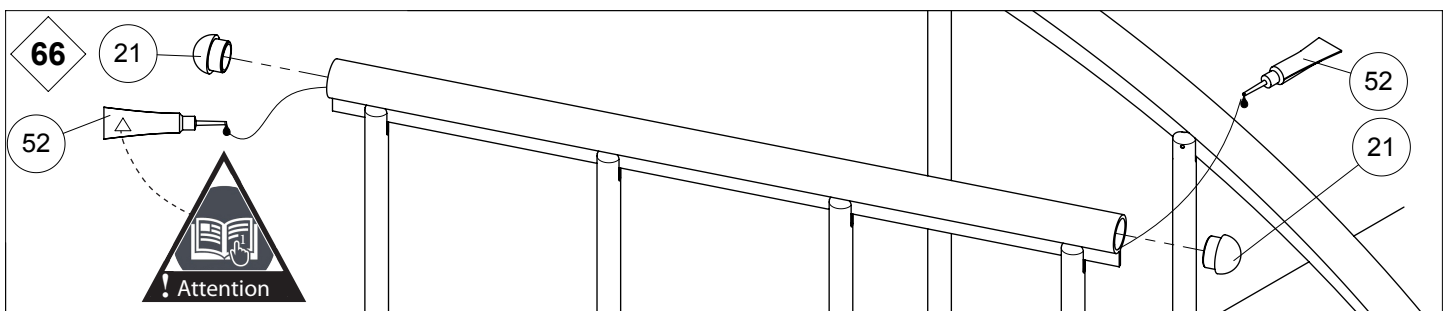
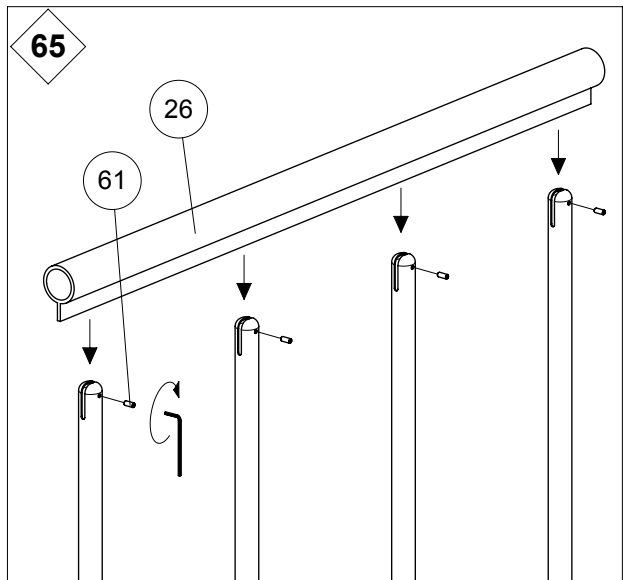
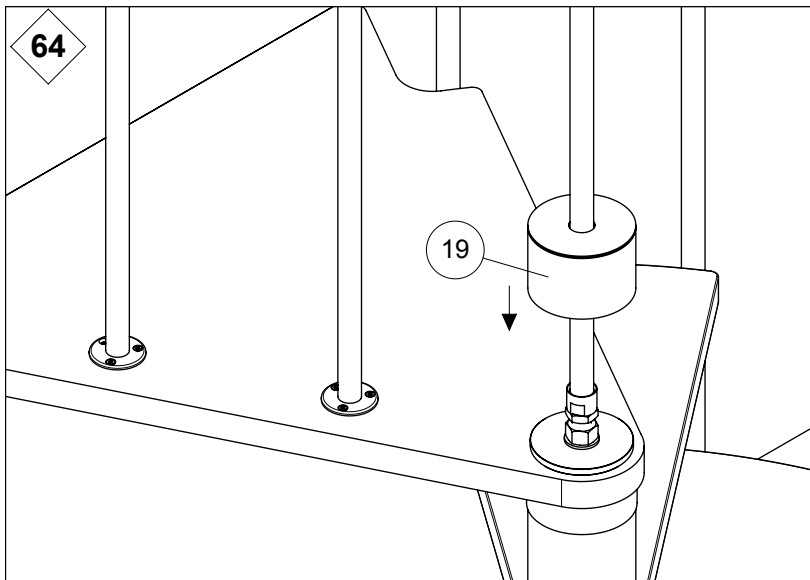
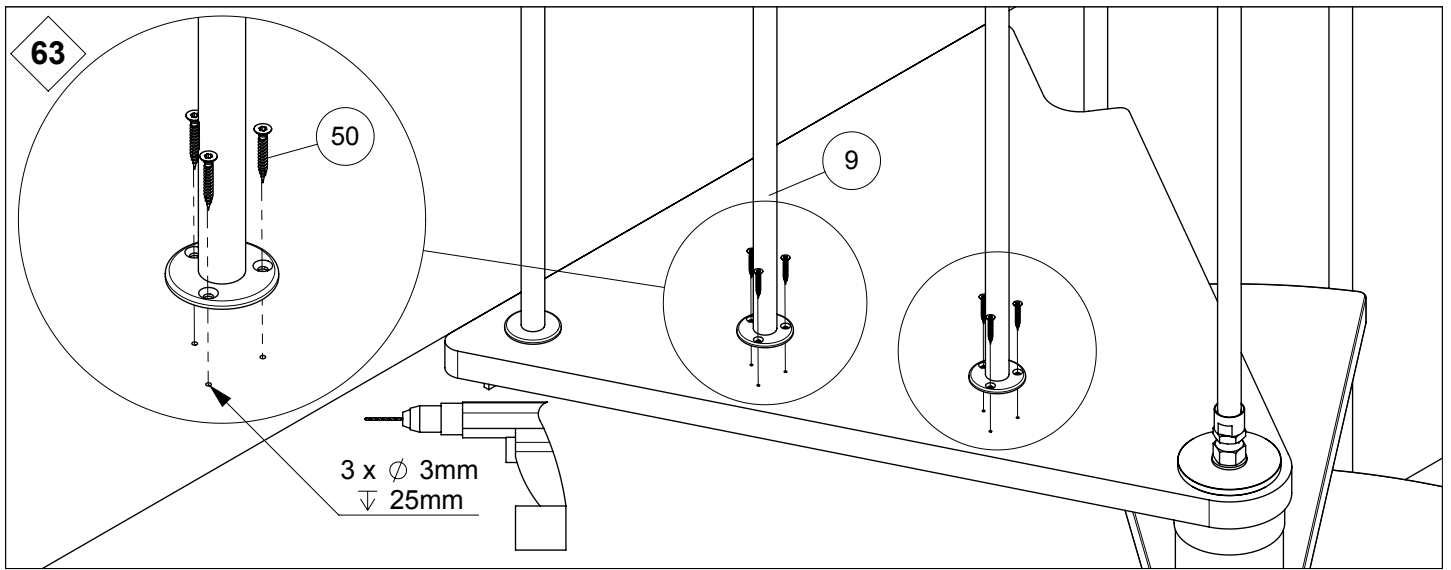
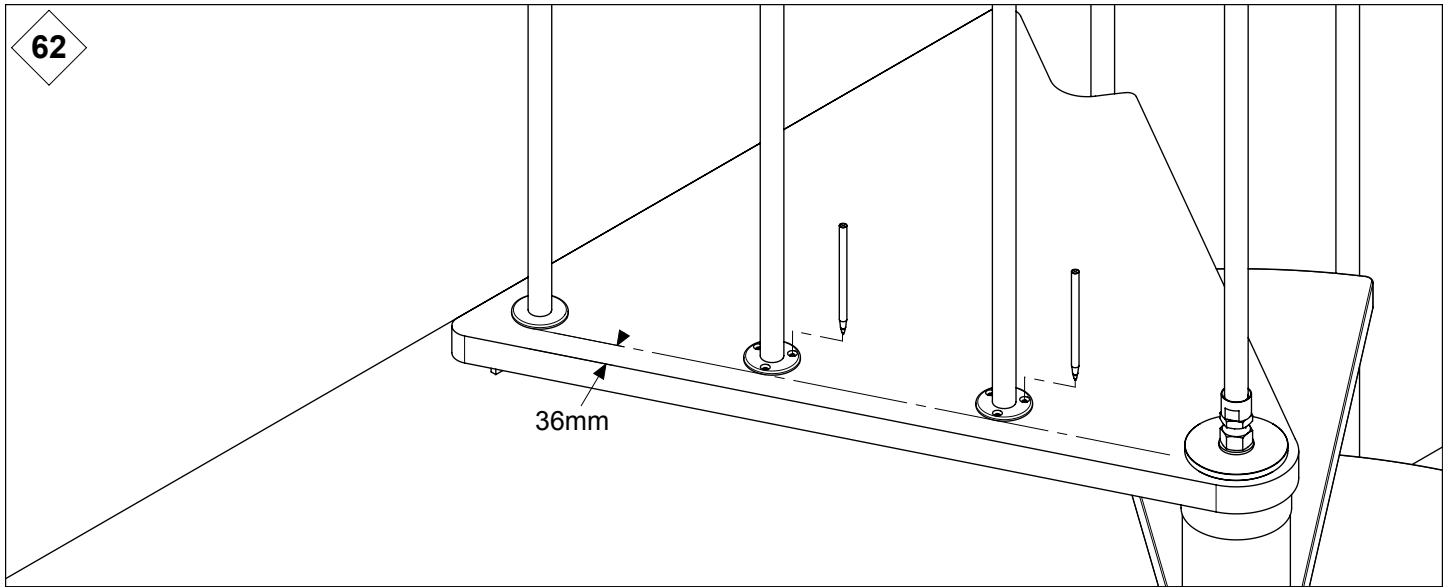


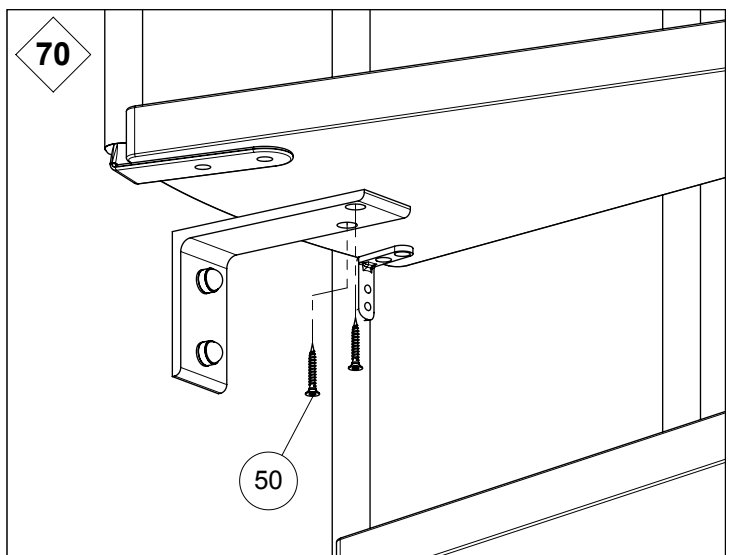
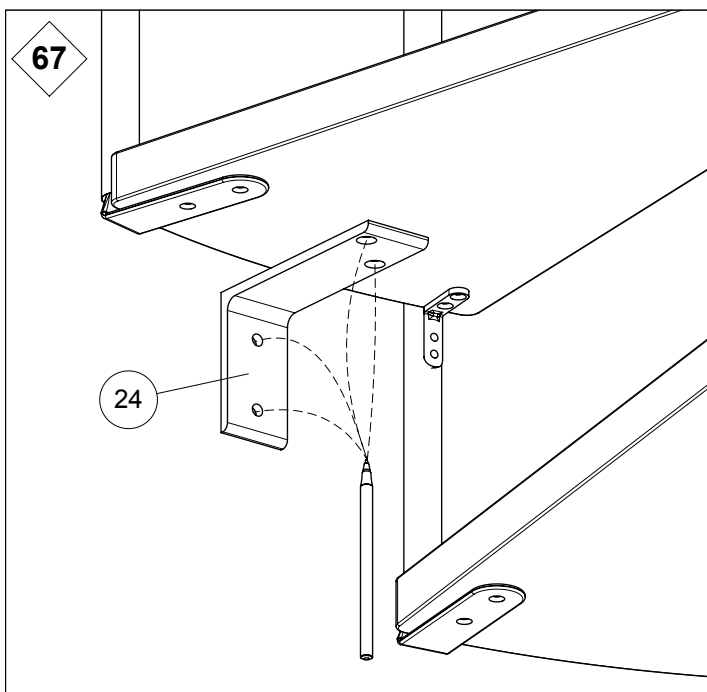
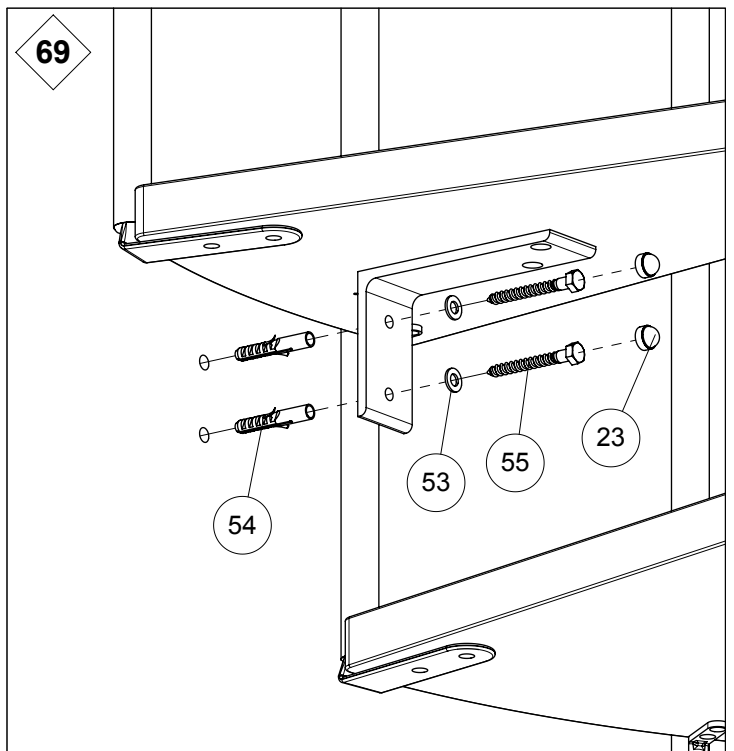
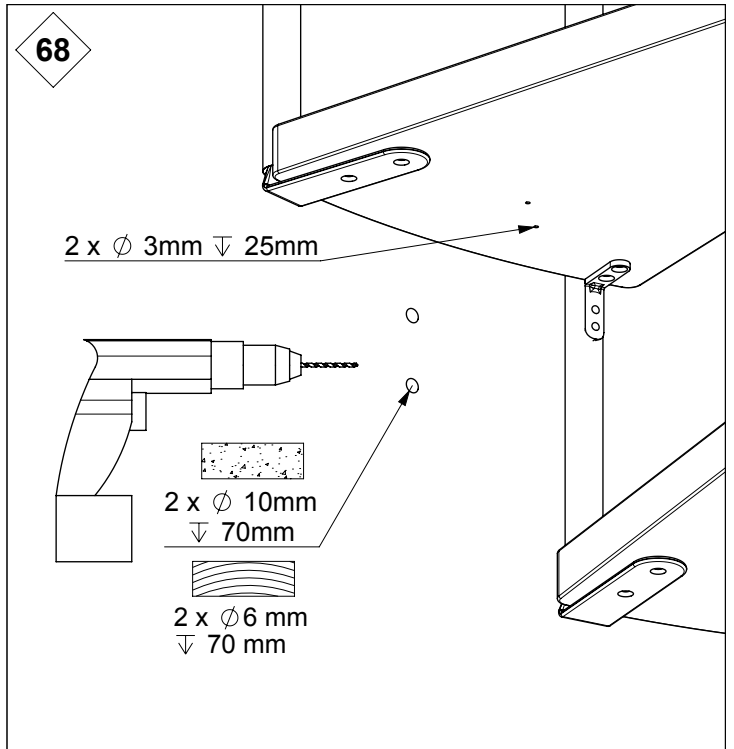
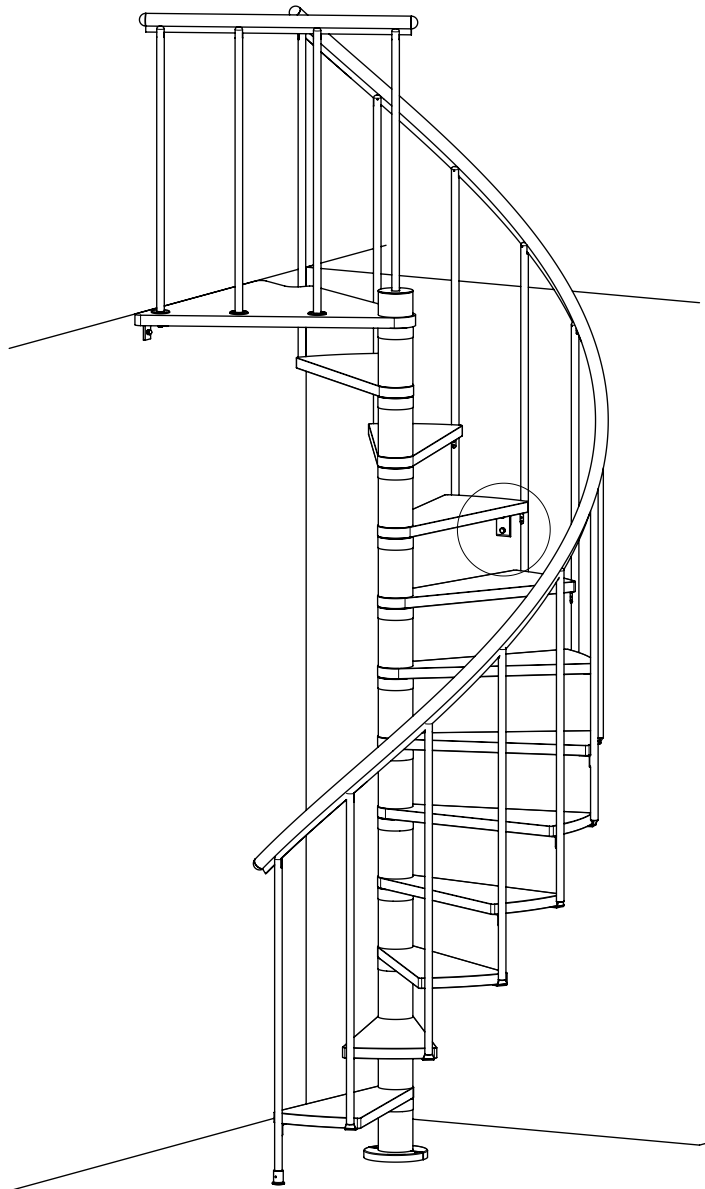












73

