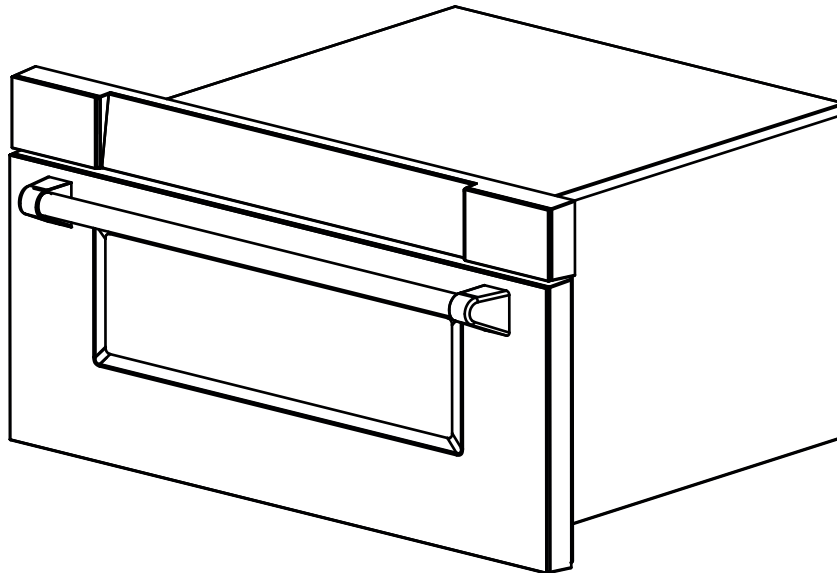




MICROWAVE DRAWER

COS-MWD3012GSS



30 in. BUILT-IN MICROWAVE DRAWER

INSTALLATION INSTRUCTIONS

IMPORTANT: READ AND SAVE THESE INSTRUCTIONS.
FOR RESIDENTIAL USE ONLY.

INSTALLER: PLEASE LEAVE THESE INSTRUCTIONS WITH THIS
UNIT FOR THE OWNER.

OWNER: PLEASE RETAIN THESE INSTRUCTIONS FOR FUTURE
REFERENCE.

THANK YOU FOR YOUR PURCHASE

Thank you for your purchase. We know that you have many brands and products to choose from and we are honored to know that you have decided to take one of our products into your home and hope that you enjoy it.

COSMO Appliances are designed according to the strictest safety and performance standard for the North American market. We follow the most advanced manufacturing philosophy. Each appliance leaves the factory after thorough quality inspection and testing. Our distributors and our service partners are ready to answer any questions you may have regarding how to install, use and care for your products. We hope that this manual will help you learn to use the product in the safest and most effective manner.

Before using this product, please read through this manual carefully. Keep this user manual in a safe place for future reference. Please ensure that other persons using this product are familiar with these instructions as well.

If you have any questions or concerns, please contact the dealer from whom you purchased the product, or contact our Customer Support at:

1-888-784-3108

Reach us online at:

www.cosmoappliances.com

TABLE OF CONTENTS

MICROWAVE DRAWER SAFETY	4
Important Safety Instructions	5
INSTALLATION REQUIREMENTS	6
Location Requirements	6
Clearance.....	7
Product Dimensions.....	8
INSTALLATION INSTRUCTIONS.....	9
Unpack Microwave Drawer	9
Install Anti-tip Block	10
Grounding Instructions	11
Install Microwave Drawer	12

MICROWAVE DRAWER SAFETY

READ ALL INSTRUCTIONS BEFORE USING THE APPLIANCE

Your safety and the safety of others are very important.

We have provided many important safety messages in this manual and on your appliance. Always read and obey all safety messages.



This is the safety alert symbol.

This symbol alerts you to potential hazards that can kill or hurt you and others.

All safety messages will follow the safety alert symbol and either the word "WARNING" or "CAUTION." These words mean:



You can be killed or seriously injured if you don't follow instructions.



A potentially hazardous situation which, if not avoided, could result in minor or moderate injury.

All safety messages will tell you what the potential hazard is, tell you how to reduce the chance of injury, and tell you what can happen if the instructions are not followed.

California Proposition 65 Warning

 **WARNING:** Cancer and Reproductive Harm - www.P65Warnings.ca.gov.

This device complies with Part 18 of the FCC Rules.

IMPORTANT SAFETY INSTRUCTIONS

WARNING

If the information in this manual is not followed exactly, a fire or electrical shock may result that could cause property damage, personal injury or death.

- Installation and service must be performed by a qualified installer.
- Save this installation manual for local electrical inspector's use.
- To reduce the risk of tipping, the microwave drawer must be secured by a properly installed Anti-Tip block.
- Do not install microwave drawer in any combustible cabinetry.
- Make sure the wall coverings and the cabinets around the microwave drawer can withstand the heat generated by the microwave drawer.
- This microwave drawer must be electrically grounded in accordance with local codes.
- Check the drawer for any damage, such as misaligned or bent drawer, damaged drawer seals and sealing surfaces, broken or loose microwave drawer guides and dents inside the cavity or on the front side of the drawer. If there is any damage, do not operate the microwave drawer and contact your dealer or an authorized servicer.
- Remove all packing materials from inside the microwave drawer.
- Stepping, leaning or sitting on the drawer may result in serious injuries and can also cause damage to the microwave drawer.
- Do NOT remove the waveguide cover located on the top of the microwave drawer.
- Remove the feature sticker if there is one.
- **NOTES TO INSTALLER:**
 - Read all of the installation manual before installing the microwave drawer.
 - Remove all packing material before connecting the electrical supply.
 - Observe all governing codes and ordinances.
 - Be sure to leave these instructions with the consumer.
- **NOTES TO CONSUMER:**
 - Keep this manual with your operation manual for future reference.
 - Be sure your microwave drawer is installed and grounded properly by a qualified installer or service technician.

INSTALLATION REQUIREMENTS

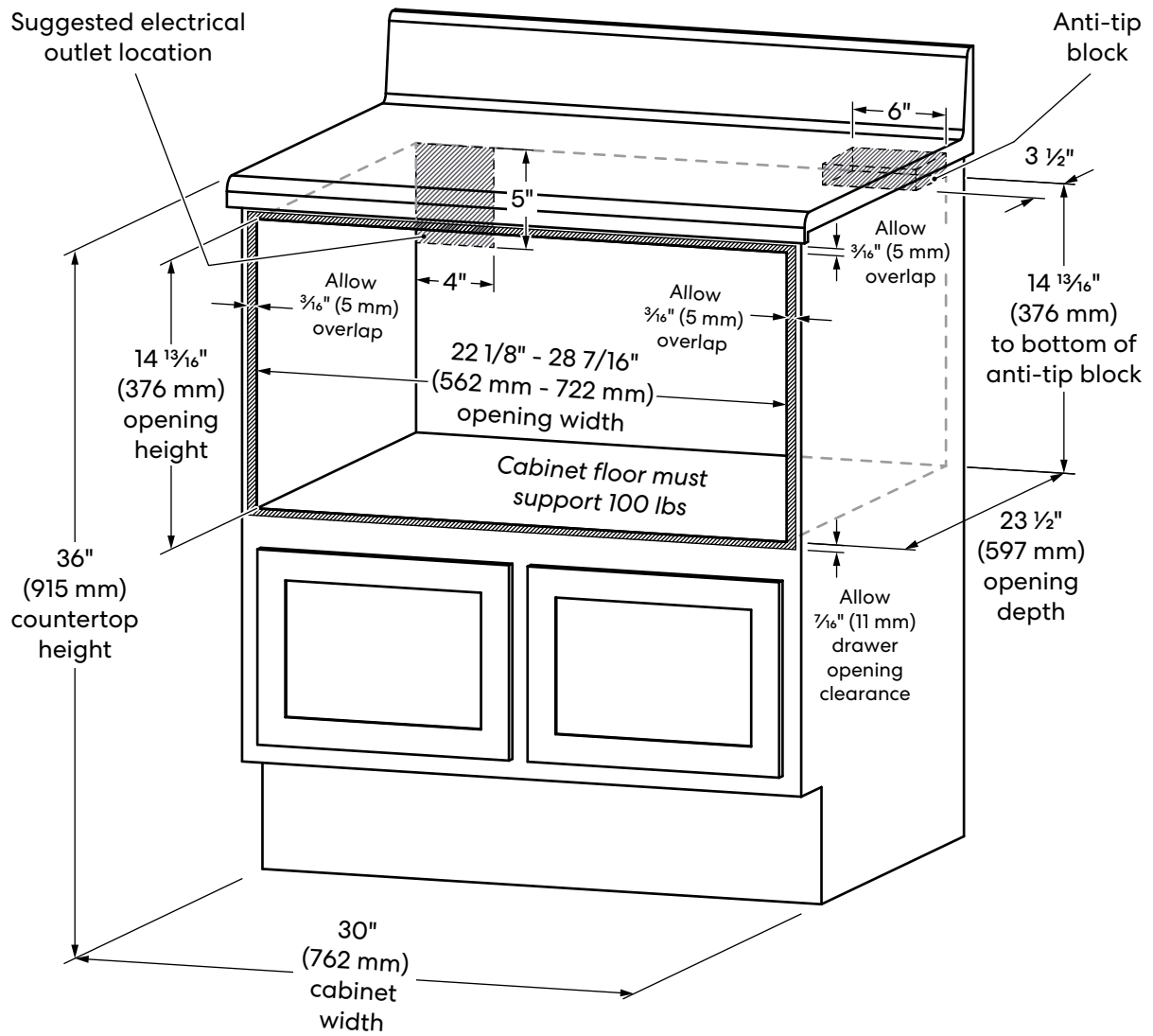
LOCATION REQUIREMENTS

IMPORTANT: Check the opening where the microwave drawer will be installed. The location must provide:

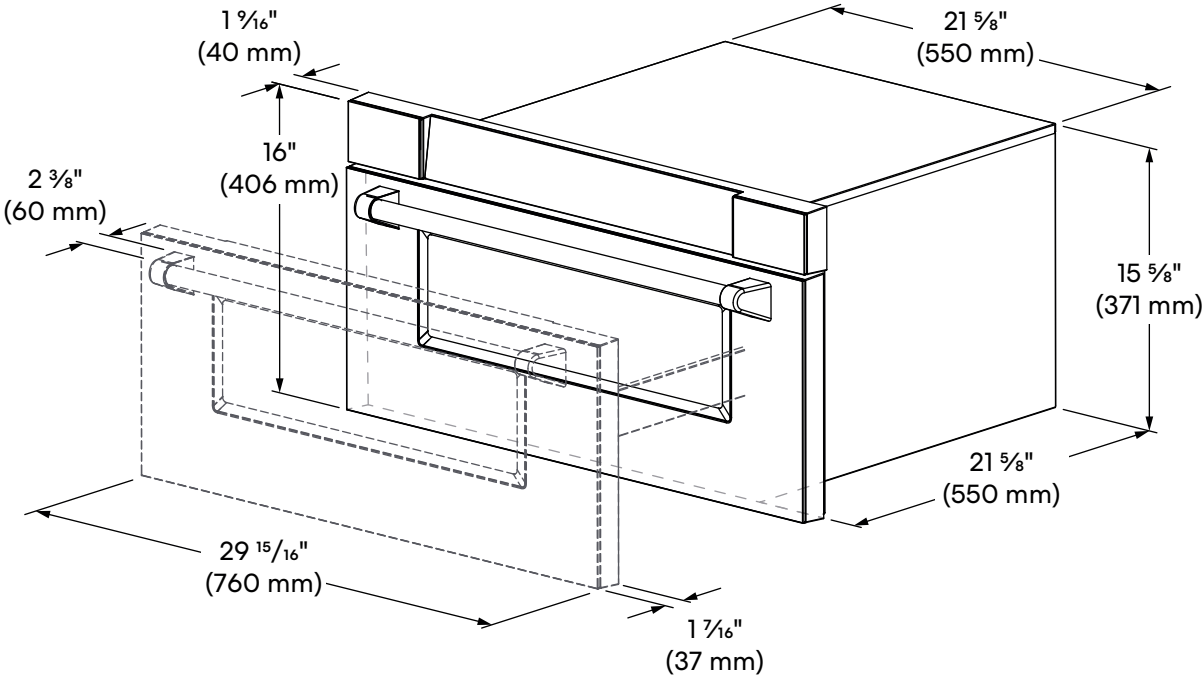
- Contact surface must be solid and level.
- Pay special attention to the floor on which the microwave drawer will sit. The floor of the opening should be constructed of plywood strong enough to support the weight of the drawer (about 100 pounds).
- Check installation location for proper electrical supply.
- Your microwave drawer can be built into a cabinet or wall by itself or under a gas or electric wall oven. Be sure that the clearance of the floor between the wall oven and the microwave drawer is a minimum of 2 inches.
- The microwave drawer can also be installed using an electrical outlet in an adjacent cabinet within the area where the provided electrical cord can reach. Power cord access hole in cabinet should be a minimum 1 1/2" diameter hole and debarred of all sharp edges.
- Always allow sufficient power cord length to the electrical outlet to prevent tension.
- Always check electrical codes for requirements.
- Make sure the wall coverings and the cabinets around the microwave drawer can withstand the heat generated by the microwave drawer.

CLEARANCE

GIVEN DIMENSIONS ARE MINIMUM CLEARANCES.



PRODUCT DIMENSIONS



INSTALLATION INSTRUCTIONS

UNPACK MICROWAVE DRAWER

⚠ WARNING EXCESSIVE WEIGHT HAZARD

- Use two or more people to move and install microwave drawer.
- Failure to do so can result in back or other injury.

IMPORTANT: To avoid damage to the microwave drawer, do not grip or use the door or door handle while the microwave drawer is being handled.

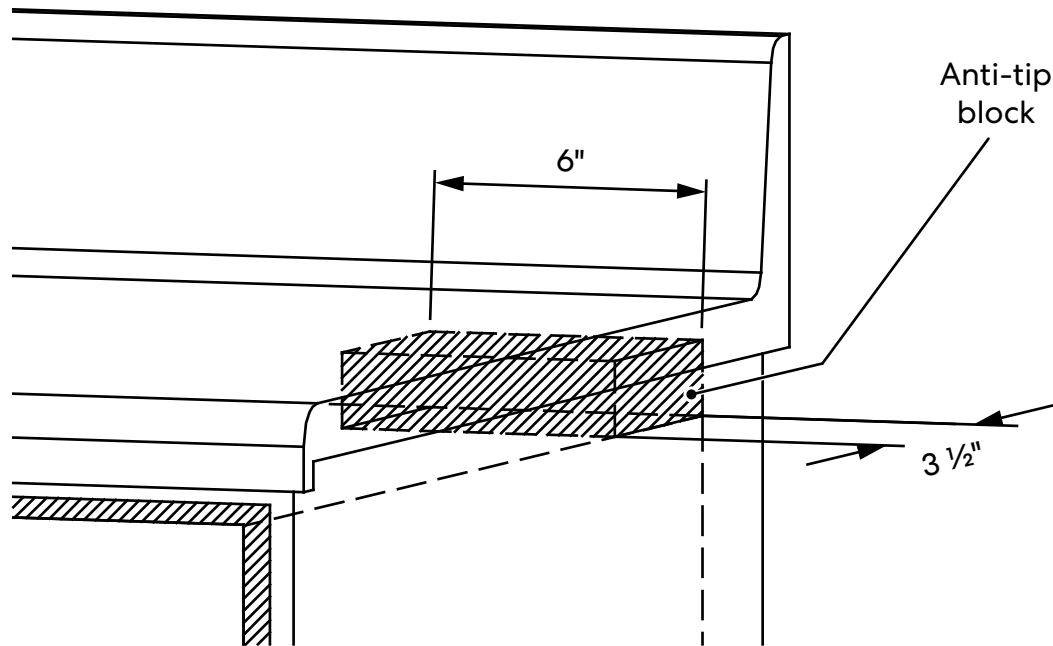
- Remove all packing materials from inside the microwave drawer.
- Do NOT remove the waveguide cover located on the top of the microwave drawer.
- Remove the feature sticker if there is one.
- Check the drawer for any damage, such as misaligned or bent drawer, damaged drawer seals and sealing surfaces, broken or loose microwave drawer guides and dents inside the cavity or on the front side of the drawer. If there is any damage, do not operate the microwave drawer and contact your dealer or an authorized servicer.

MODEL AND SERIAL NUMBER LOCATION

The rating plate includes model and serial number. Open the Microwave Drawer fully. The rating label is located on the door frame behind the door of the microwave drawer.

INSTALL ANTI-TIP BLOCK

To reduce the risk of tipping of the drawer, the anti-tip block must be provided and properly installed by the installer. The anti-tip block prevents serious injury that might result from spilled hot liquids.



The anti-tip block must be installed near the rear of the microwave drawer top surface, which is 14 13/16 inches above the floor on which the microwave drawer will sit.

NOTE:

- If the Microwave Drawer is ever moved to a different location, the anti-tip block must also be moved and installed.
- When installed to the wall, make sure that the screws completely penetrate the dry wall and are secured in wood or metal so that the block is totally stable.
- When fastening, be sure that the screws do not penetrate electrical wiring or plumbing.

GROUNDING INSTRUCTIONS

! WARNING

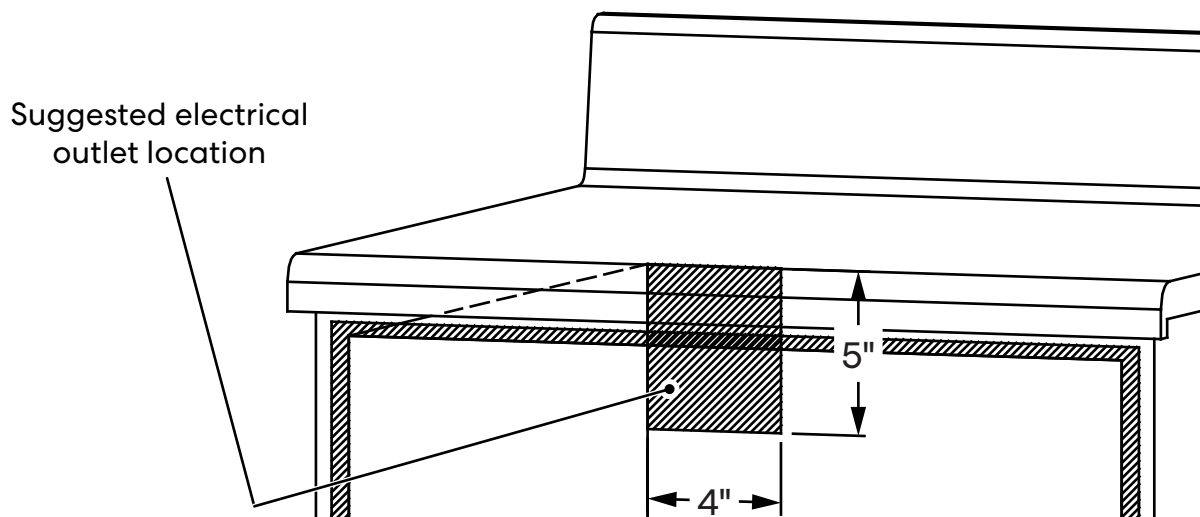


ELECTRIC SHOCK HAZARD

- Plug into a grounded 3-prong outlet.
- Do not remove the ground prong.
- Do not use an adapter or an extension cord.
- Failure to do so can result in death, fire, or electrical shock.

IMPORTANT:

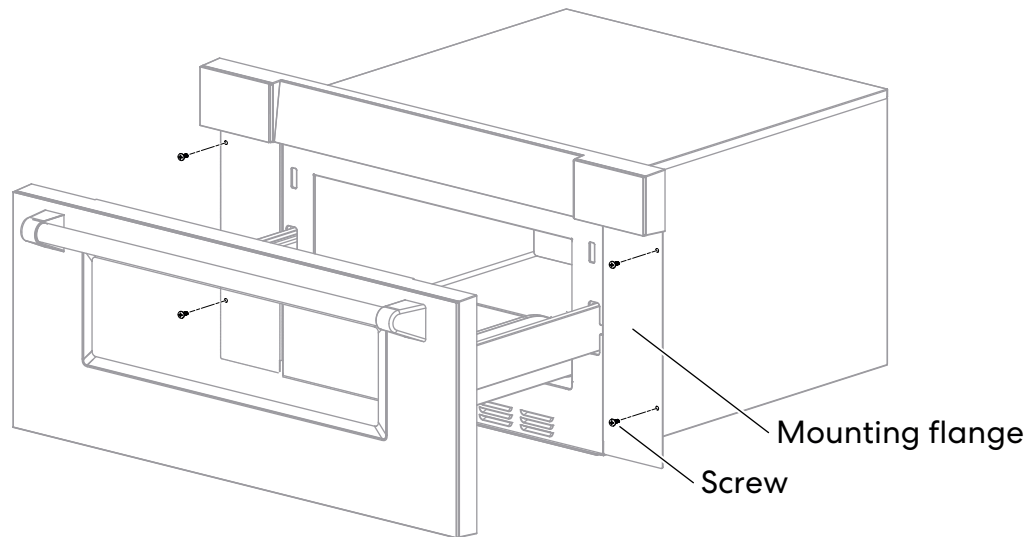
- This appliance must be grounded. In the event of an electrical short circuit, grounding reduces risk of electric shock by providing an escape wire for the electric current.
- The microwave drawer is equipped with a cord having a grounding wire with a grounding plug. It must be plugged into a wall receptacle that is properly installed and grounded in accordance with the National Electrical Code and local codes and ordinances.
- Do not, under any circumstances, cut, deform, or remove any of the prongs from the power cord.
- Where a standard two-prong wall receptacle is encountered, have it replaced with a properly grounded three-prong wall receptacle by a qualified electrician.
- If the power supply cord is too short, have a qualified electrician or service person install an outlet near the appliance.



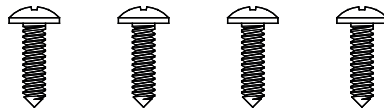
The electrical requirements are a 120 Volt, 60 Hz, AC only, 15 amp or more protected electrical supply. It is recommended that a separate circuit serving only this appliance be provided.

NOTE: If you have any questions about the grounding or electrical instructions, consult a qualified electrician or service person.

INSTALL MICROWAVE DRAWER



1. Place the microwave drawer adjacent to the wall or cabinet opening. Plug the power supply cord into the electrical outlet.
2. Carefully guide the microwave drawer into the prepared opening. Avoid pinching the cord between the back of microwave drawer and the wall.
3. Slide in the microwave drawer until the mounting flange is flush with the face of the cabinet.
4. Open the drawer. Using the 4 holes on the drawer frame as a template, pre-drill the cabinet using a 1/16" bit.
5. Secure the microwave drawer with the cabinet using the 4 screws supplied.



IMPORTANT

Do Not Return This Product To The Store

If you have a problem with this product, please contact COSMO Customer Support at

+1 (888) 784-3108

DATED PROOF OF PURCHASE, MODEL #, AND SERIAL # REQUIRED FOR WARRANTY SERVICE.

IMPORTANT

Ne pas Réexpédier ce Produit au Magasin

Pour tout problème concernant ce produit, veuillez contacter le service des consommateurs Cosmo Customer Support au

+1 (888) 784-3108

UNE PREUVE D'ACHAT DATEE EST REQUISE POUR BENEFICIER DE LA GARANTIE.

IMPORTANTE

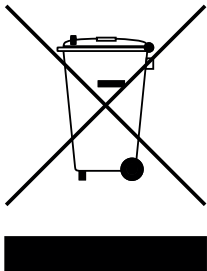
No regrese este producto a la tienda

Si tiene algún problema con este producto, por favor contacte el ayuda al cliente COSMO al

+1 (888) 784-3108

(Válido solo en E.U.A.)

NECESITA UNA PRUEBA DE DE COMPRA FECHADA, NÚMERO DE MODELO Y DE SERIE PARA EL SERVICIO DE LA GARANTÍA.



Correct disposal of this product:

This marking indicates that this appliance should not be disposed with other household wastes. To prevent possible harm to the environment or human health from uncontrolled waste disposal, recycle it responsibly to promote the sustainable reuse of material resources.

MEMO

A series of horizontal dashed lines for writing.

MEMO

A series of horizontal dashed lines for writing, spanning the width of the page.



APPLIANCES

Cosmo is constantly making efforts to improve the quality and performance of our products, so we may make changes to our appliances without updating this manual.

Electronic version of this manual is available at:
www.cosmoappliances.com