



DESCRIPTION:

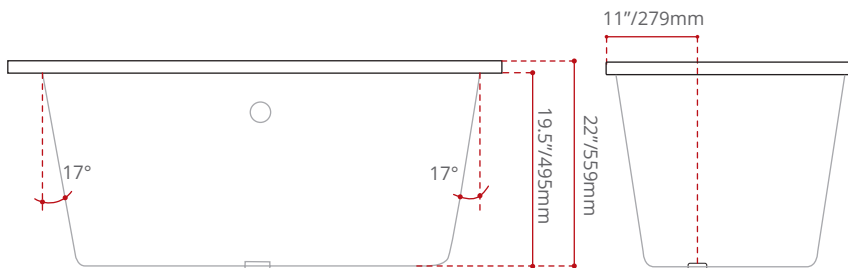
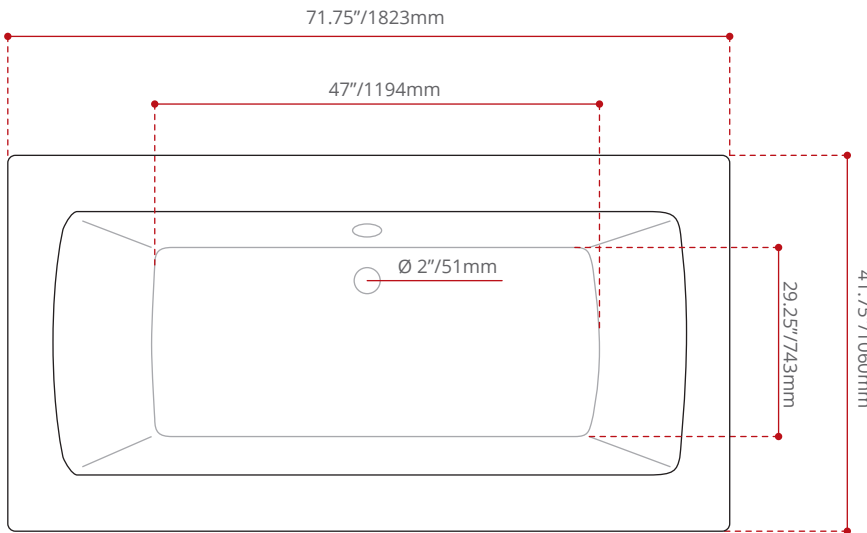
- Classic Style.
- High gloss / Crack-resistant acrylic.
- Centred drain.
- Made in Canada.
- Complies with CSA & IAPMO standards.

AVAILABLE OPTIONS:

- Biscuit & black Colour. ○ ●
- Textured Bottom

JETTING OPTIONS:

- Lateral Air jets.
- Air illusion jets.
- Filler air jets.
- Square zen jets.
- Neck-Jet massage system.
- Whirlpool jets.
- V-Masseuse.
- VIGOR +
- Chromatherapy.
- Aromatherapy.
- Comfort Warm



WATER DEPTH

17"/432mm

CAPACITY

129.7 gal.
491 litres of water

SHIPPING DIMENSIONS

74 x 44 x 24" / 1880 x 1118 x 610mm

NET WEIGHT

37 kg / 82 lbs

GROSS WEIGHT

38 kg / 84lbs

Measurements may vary ± 5mm
- Diagram NOT to scale -

