


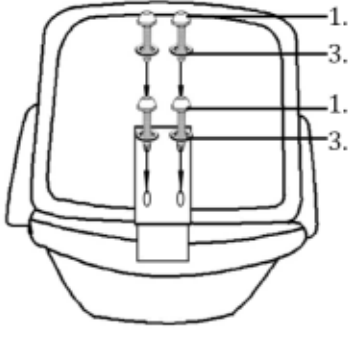
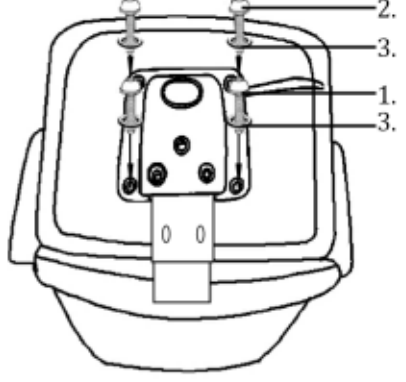












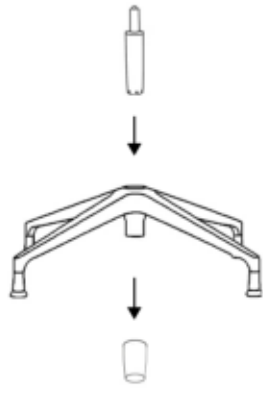
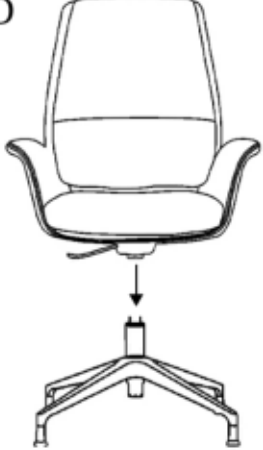




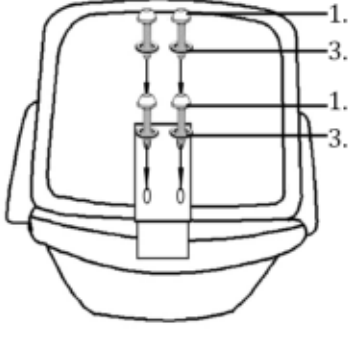
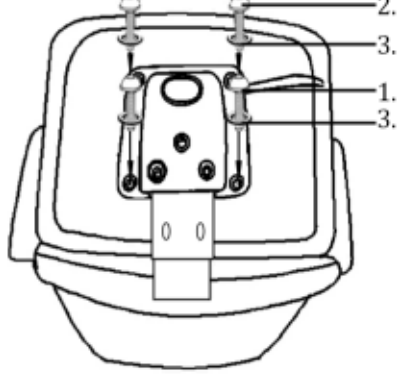














Assembling Instruction

(1)Base	(2)Casters	(3)GasColumn																			
	 X4																				
(4)Mechanism	(5)Back	(6)Seat																			
(7)Screws	<table border="0"> <tr> <td>1.</td> <td></td> <td>X6</td> <td>6X30MM</td> </tr> <tr> <td>2.</td> <td></td> <td>X2</td> <td>6X35MM</td> </tr> <tr> <td>3.</td> <td></td> <td>X4</td> <td>6X20MM</td> </tr> <tr> <td>4.</td> <td></td> <td>X1</td> <td>5MM</td> </tr> </table>		1.		X6	6X30MM	2.		X2	6X35MM	3.		X4	6X20MM	4.		X1	5MM	C	D	E
1.		X6	6X30MM																		
2.		X2	6X35MM																		
3.		X4	6X20MM																		
4.		X1	5MM																		
																					

Assembling Instruction

(1)Base	(2)Casters	(3)GasColumn																			
	 X4																				
(4)Mechanism	(5)Back	(6)Seat																			
(7)Screws	<table border="0"> <tr> <td>1.</td> <td></td> <td>X6</td> <td>6X30MM</td> </tr> <tr> <td>2.</td> <td></td> <td>X2</td> <td>6X35MM</td> </tr> <tr> <td>3.</td> <td></td> <td>X4</td> <td>6X20MM</td> </tr> <tr> <td>4.</td> <td></td> <td>X1</td> <td>5MM</td> </tr> </table>		1.		X6	6X30MM	2.		X2	6X35MM	3.		X4	6X20MM	4.		X1	5MM	C	D	E
1.		X6	6X30MM																		
2.		X2	6X35MM																		
3.		X4	6X20MM																		
4.		X1	5MM																		
			