



# Highline® Comfort Height®

## Comfort Height® Two-piece Toilet

### K-5481

#### Features

- Two-piece toilet.
- Round-front bowl offers an ideal solution for smaller baths and powder rooms.
- Comfort Height® feature offers chair-height seating that makes sitting down and standing up easier for most adults.
- 1.28 gallons per flush (gpf).
- Standard left-hand Polished Chrome trip lever included.
- Combination consists of the K-4467 tank and the K-5393 bowl.

#### Technology

- Single-flush gravity uses the force of gravity and a precision-engineered tank, bowl, and trapway to create a strong siphon during flushing.
- Class Five® flushing technology offers virtually plug-free performance and rinsing power for a clean bowl.

#### Installation

- Standard 12-inch rough-in.
- Three-bolt installation.
- Seat and supply line not included.

#### Water Conservation & Rebates

- WaterSense® toilets meet strict EPA flushing guidelines, including using at least 20 percent less water than 1.6-gallon toilets.
- Eligible for consumer rebates in some municipalities.

#### Recommended Products/Accessories

- K-4639 Cachet® Quiet-Close™ Round-Front Toilet Seat
- K-5589 Purefresh® Round-Front Toilet Seat
- K-76923 Puretide™ Quiet-Close™ Round-Front Manual Cleansing Toilet Seat
- K-5420 Low-Profile Bolt Caps
- K-9379 Trip Lever
- 1023457 Wax Ring/Hardware Kit
- 1265114 Connector Hose

#### Included Components

Product consists of:

- K-5393 Comfort Height® Round-Front Bowl
- K-4467 Toilet Tank

Additional Components:

- Floor mounting kit
- Tank cover
- Trip lever



**ADA** **CSA B651** **OBC**

#### Codes/Standards




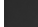
- ASME A112.19.2/CSA B45.1
- DOE - Energy Policy Act 1992
- EPA WaterSense®
- California Energy Commission (CEC)
- ADA
- ICC/ANSI A117.1
- CSA B651
- OBC

#### KOHLER® One-Year Limited Warranty

See website for detailed warranty information.

#### Available Colors/Finishes

*Color tiles intended for reference only.*

| Color  | Code | Description  |
|--|------|--------------|
|  | 0    | White        |
|  | 96   | Biscuit      |
|  | 47   | Almond       |
|  | 7    | Black Black™ |

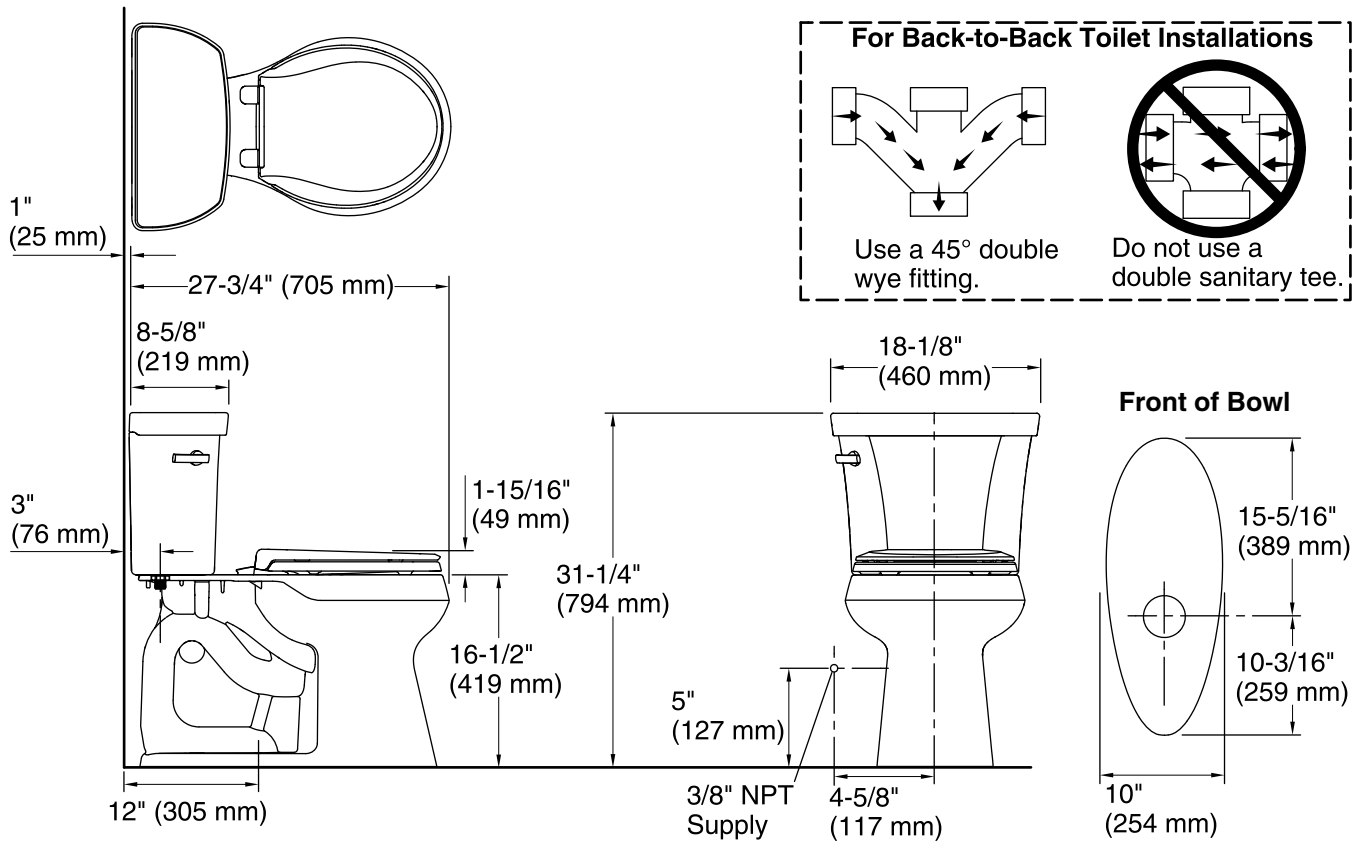
1-800-4KOHLER (1-800-456-4537)

Kohler Co. reserves the right to make revisions without notice to product specifications.

For the most current Specification Sheet, go to [www.kohler.com](http://www.kohler.com).

3-18-2019 09:19 - US/CA

THE BOLD LOOK  
OF **KOHLER**®



### Technical Information

All product dimensions are nominal.

|                       |                                    |
|-----------------------|------------------------------------|
| Toilet type:          | Two-piece, Floor-mount             |
| Waste Outlet:         | Floor                              |
| Bowl shape:           | Round-front                        |
| Flush type:           | Class Five®                        |
| Trap passageway:      | 2-1/8" (54 mm)                     |
| Water Consumption     |                                    |
| Full:                 | 1.28 gpf (4.8 lpf)                 |
| Water surface size:   | 10-1/2" x 8-1/4" (267 mm x 210 mm) |
| Rim to water surface: | 5-3/8" (137 mm)                    |
| Rough-in:             | 12" (305 mm)                       |
| Seat-mounting holes:  | 5-1/2" (140 mm)                    |

### Notes

Install this product according to the installation instructions.

For back-to-back toilet installations: Use only a 45° double wye fitting.

ADA, OBC, CSA B651 compliant when installed to the specific requirements of these regulations.

Plumbing codes may require elongated toilets and elongated, open-front seats in public bathrooms.

Accessibility standards may require controls to be located on the open side of the toilet.