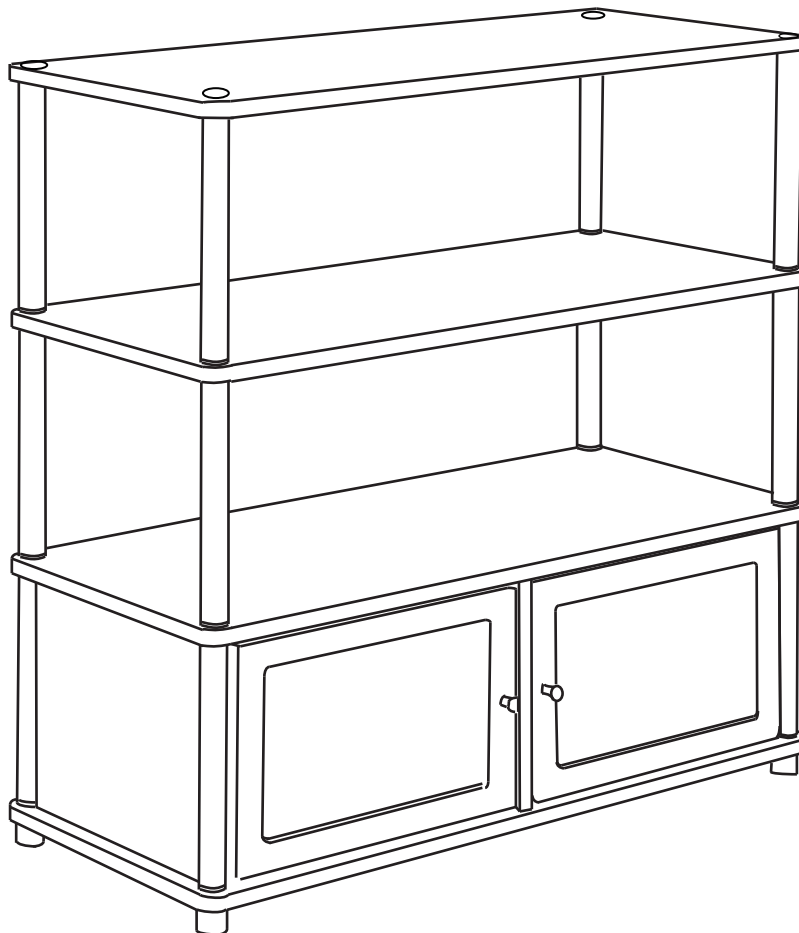


# CONVENIENCE CONCEPTS

## TV STAND WITH TWO CABINETS

151239



### ASSEMBLY INSTRUCTIONS

---

We have designed our furniture with you , the customer in mind . Our clear , easy to follow , step by step instructions will guide you through the project from start to finish . Feel confident that this will be a fun and rewarding project . The final product will be a quality piece of furniture that will go together smoothly and give years of enjoyment .

---


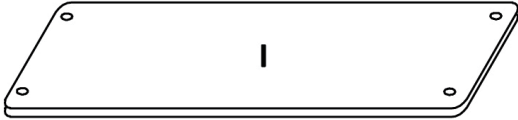

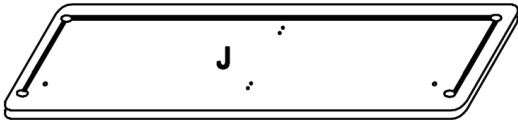
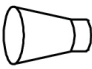


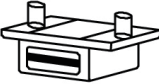

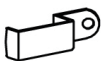
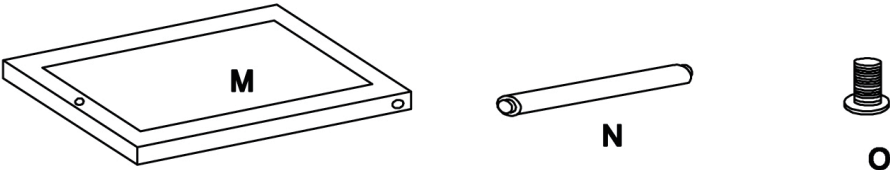





Please do not return to the store

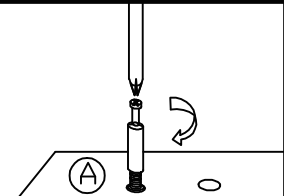
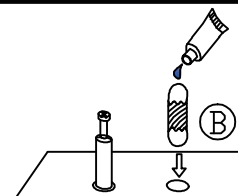
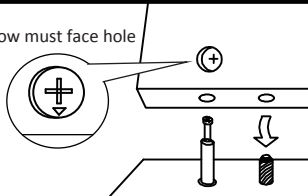
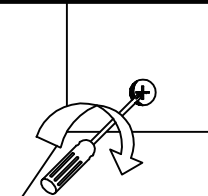
Broken or missing parts?

Need help with assembly?

If you have any questions just call 1-800-468-6447 or email us at [parts@convenience-concepts.com](mailto:parts@convenience-concepts.com)

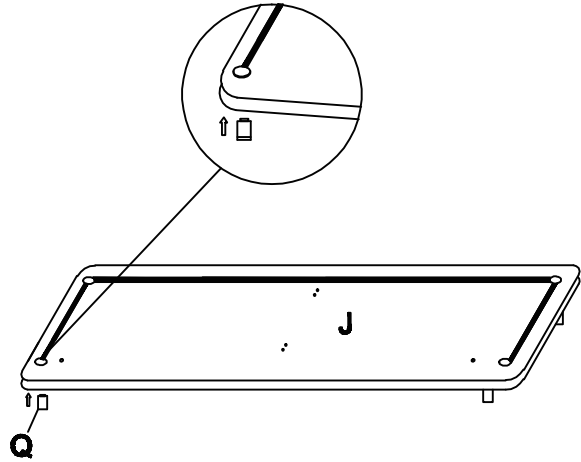
Hardware List	Panel List		
<b>(A)</b> 			
<b>Cam bolt (4pcs)</b>			
<b>(B)</b> 	<b>Top Panel (2pcs)</b>		
<b>Wood dowel (4pcs)</b>			
<b>(C)</b> 			
<b>Knob (2pcs)</b>	<b>Bottom Panel (2pcs)</b>		
<b>(D)</b> 			
<b>Door Inserts (4pcs)</b>			
<b>(E)</b> 			
<b>Magnets (2pcs)</b>			
<b>(F)</b> 			
<b>Metal Brackets (2pcs)</b>			
<b>(G)</b> 	<b>Plastic Doors (2pcs)</b> <b>Metal Tubes (12pcs)</b> <b>End Caps (4pcs)</b>		
<b>Knob Screws (2pcs)</b>			
<b>(H)</b> 			
<b>Glue (1pc)</b>	<b>Back Panel (1pc)</b> <b>Foot (4pcs)</b>		

### Assembling the unit with camlocks and wood dowels.

			
<p>Gently screw cam bolt into the threaded anchor.</p>	<p>Lightly glue one end of the wood dowel and tap halfway into hole.</p>	<p>Lightly glue wood dowel and connect to second panel by inserting dowels into holes.</p>	<p>Screw the camlock firmly into locked position.</p>

## Step 1

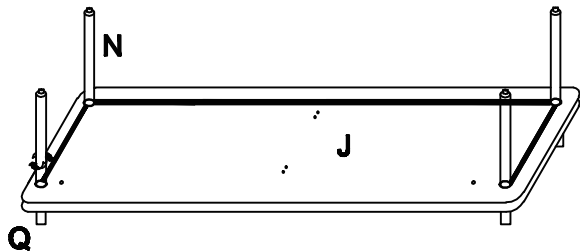
- (1) Place bottom panel (J) with groove side up on top of the four black plastic feet (Q).



## Step 2

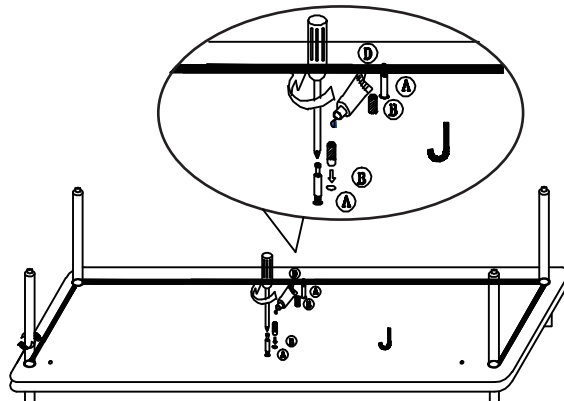
- (1) Gently screw poles (N) into plastic feet (Q), using care not to overtighten.

\* CAUTION: Do not overtighten poles.



## Step 3

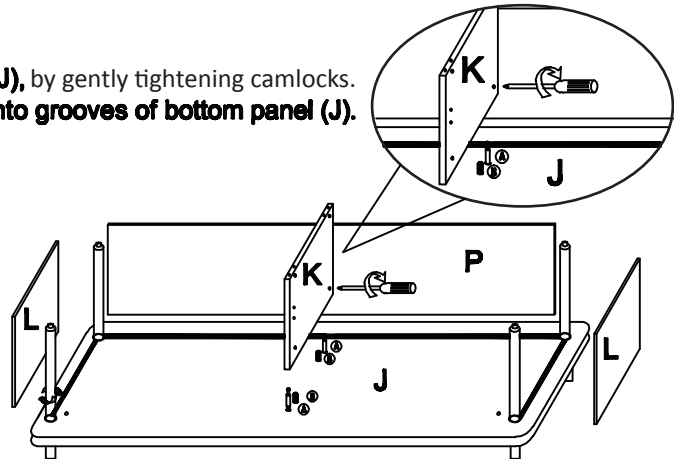
1. Screw Cambolts (A) into bottom Panel (J).
2. Insert Wood Dowels (B) into Bottom Panel (J).



\* Refer to page 2 for dowel assembly

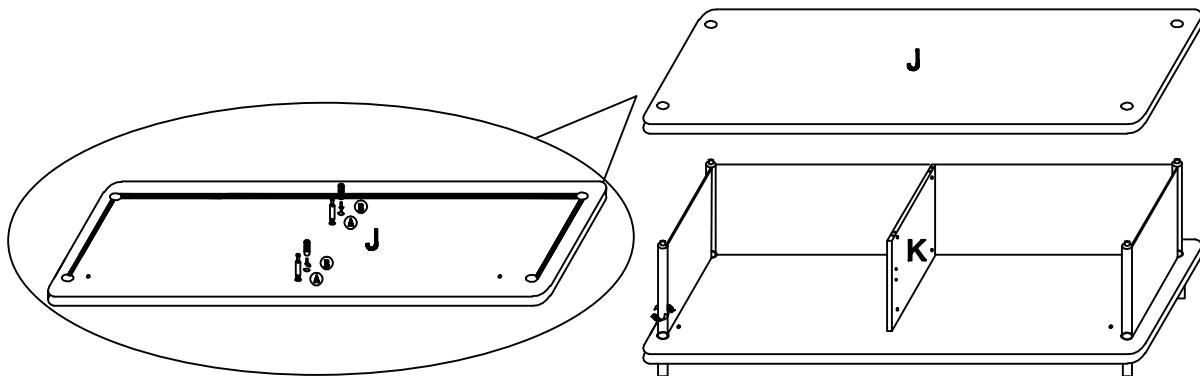
## Step 4

- (1) Attach middle divider (K) to bottom panel (J), by gently tightening camlocks.
- (2) Insert side panels (L) and back panel (P) into grooves of bottom panel (J).



## Step 5

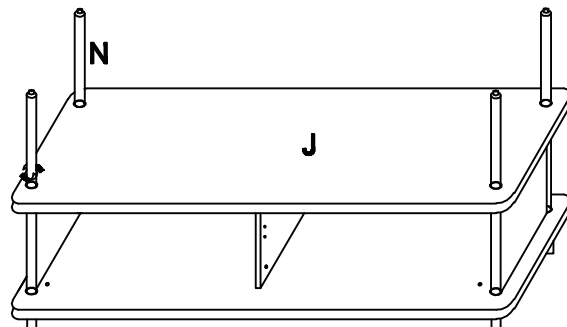
- 1.Screw Cambolts (A) and Insert Wooden Dowels (B) into Second panel (J).
- 2.Connect second Panel (J) to unit by gently tightening camlocks.



## Step 6

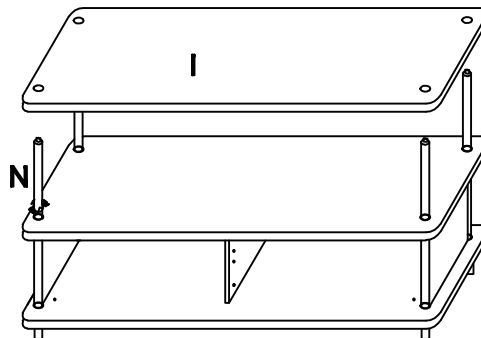
- (1) Gently screw poles (N) into previously installed tubes.

\* Do not overtighten poles.



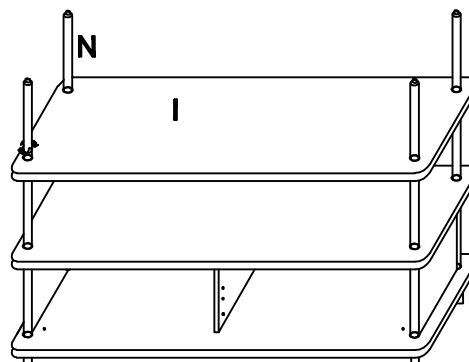
## Step 7

(1) Carefully place top panel (I) over the four poles (N).



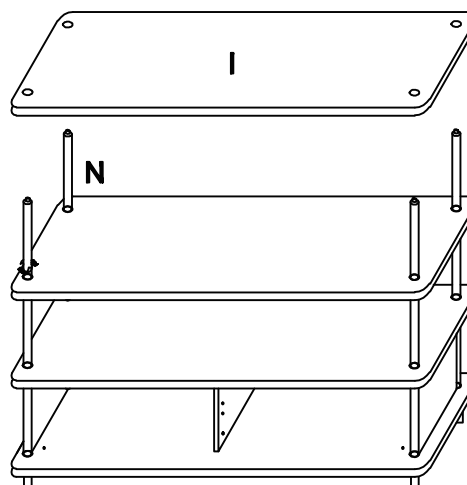
## Step 8

(1) Gently screw poles (N) into previously installed poles.



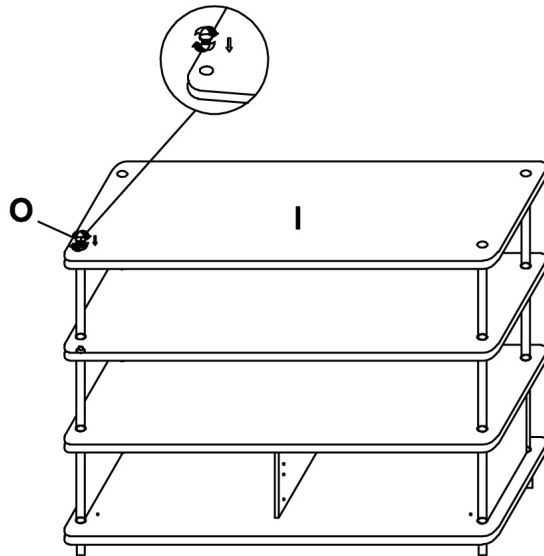
## Step 9

(1) Carefully place the top panel (I) over the four poles (N).



## Step 10

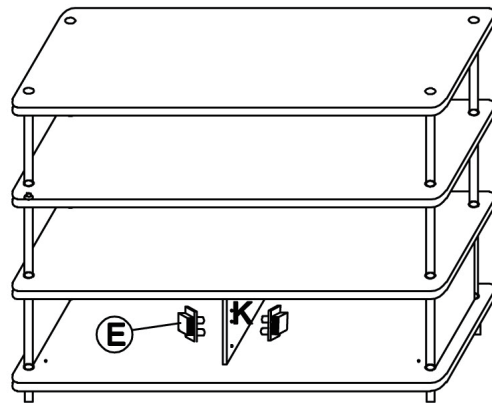
(1) Attach end caps (O) to unit by turning in a clockwise direction.



## Step 11

(1) Attach magnets (E) to the divider (K) by inserting into pre-drilled holes.

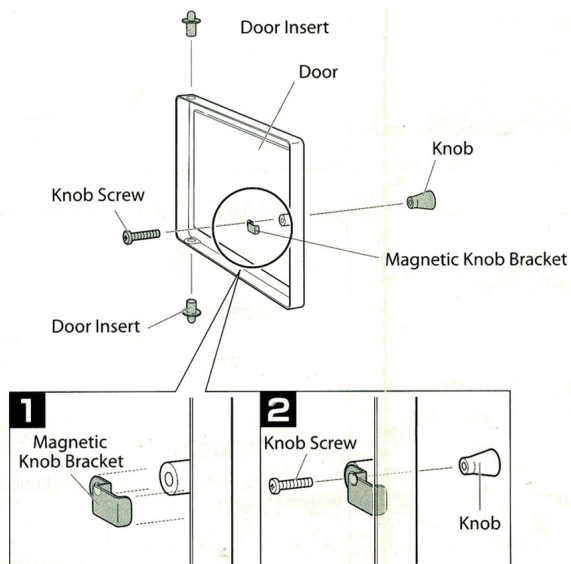
\* Magnets face front.



## Step 12

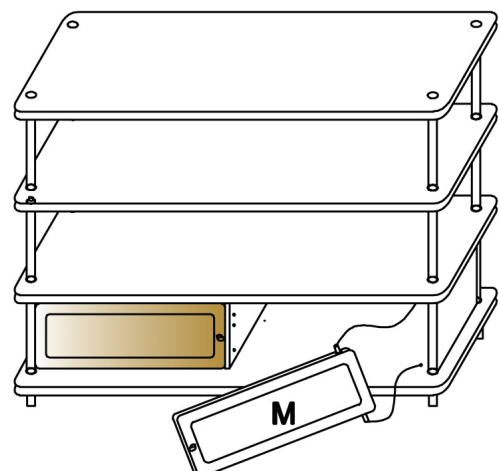
Doors (M) assembly.

- (1) Attach knob (C) to door (M) using Metal bracket (F) and knob screw (G).
- (2) Place spring loaded door inserts (D) into holes of the door (M).



## Step 13

(1) Attach doors (M) to unit.



### TO ATTACH DOORS

Push door insert down. Align with pre-drilled hole in unit. Release.

