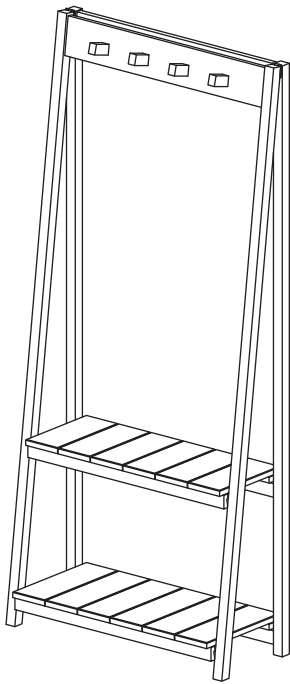


# Assembly Instruction

## Item# 317-8X

### Essex Folding Coat Rack with Two Shelves



**WARNING:**  
Shelves Can Unfold

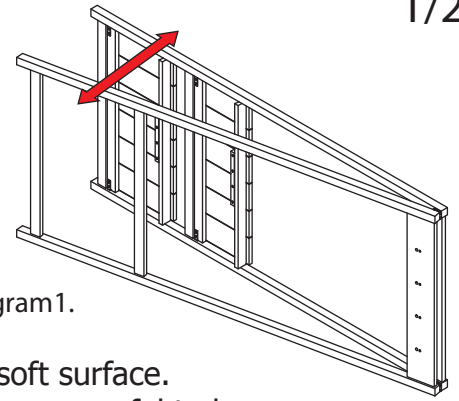


Diagram1.

**Step 1.**

Rest the unit on a soft surface. Unfold the front frame, careful to keep the shelves in place per diagram1.

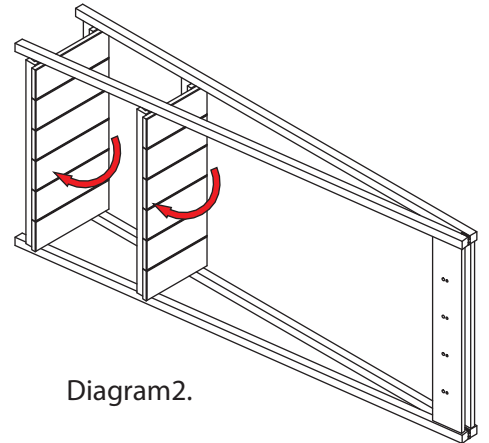
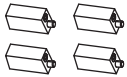


Diagram2.

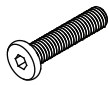
**Step 2.**

Unfold the shelves rest on the crossbar of the front frame as per diagram2.

**Hardware**



Hooks  
4 Pcs.



RF10052  
Screw  
4 Pcs.

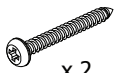


Allen Key  
1 Pc.

**Anti-tipping**



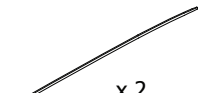
Wall Bracket x 4



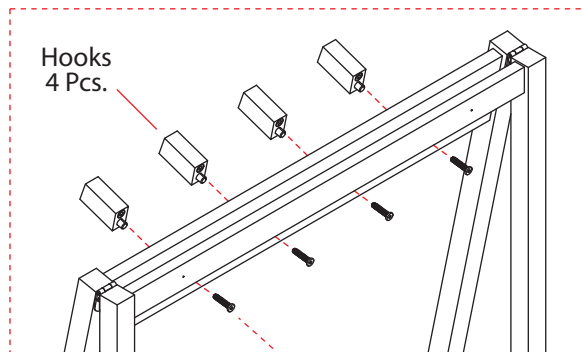
P6 x 1 1/4" x 2



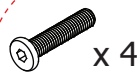
P6 x 5/8" x 2



Wall Strap x 2



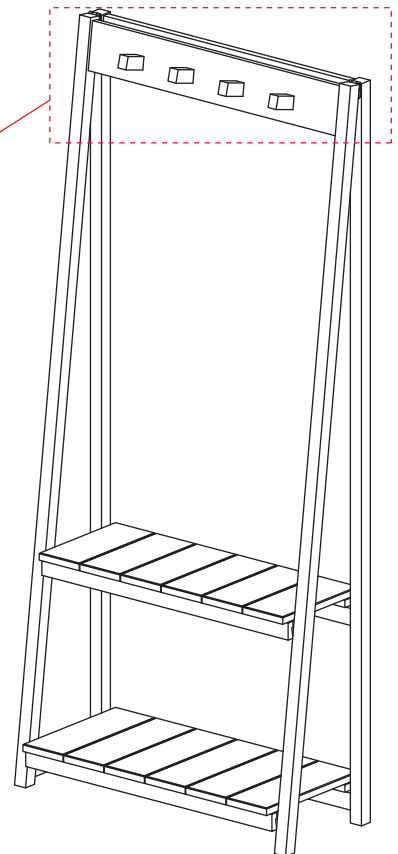
Hooks  
4 Pcs.

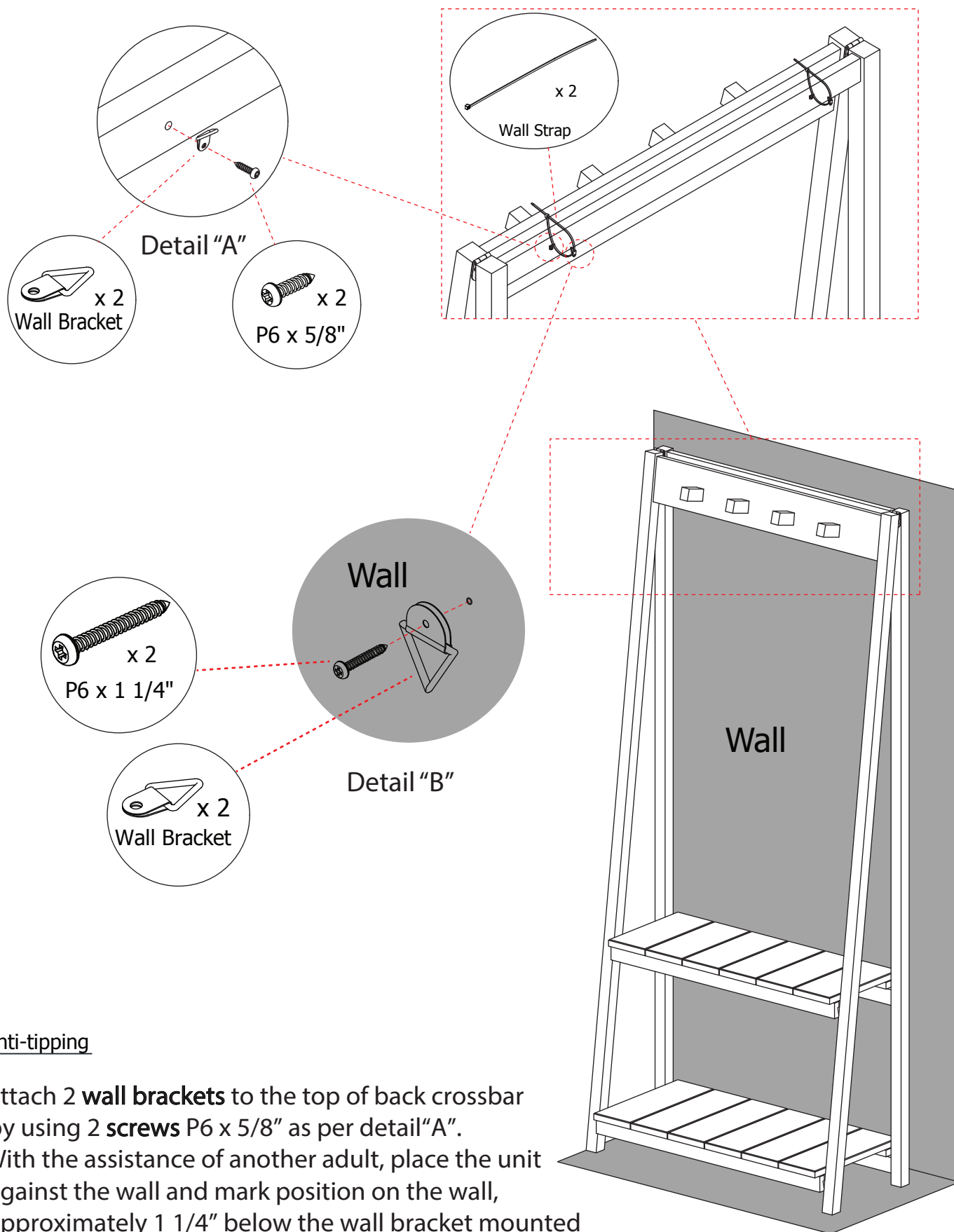


RF10052 x 4

**Step 3:**

Upright the unit and attach the Hooks by using screws (RF10052) as per diagram3.





### Anti-tipping

1. Attach 2 **wall brackets** to the top of back crossbar by using 2 **screws P6 x 5/8"** as per detail "A".
2. With the assistance of another adult, place the unit against the wall and mark position on the wall, approximately 1 1/4" below the wall bracket mounted to the back of the unit. Move the unit out of the workspace.
3. Attach **wall bracket** to wall with 2 **screws P6 x 1 1/4"** by screwing into **wall** as per detail "B".
4. Place the unit back into position against the wall. Lace one end of the **wall strap** through both brackets, and into the other end of the strap.