

BARNDOOR

• H A R D W A R E •



HARDWARE KIT

FOR SLIDING SINGLE WOOD DOORS



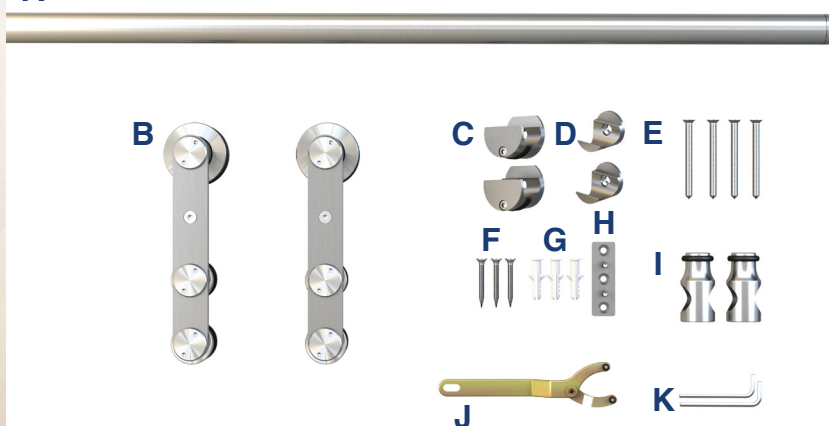
304 Grade Stainless Steel

MODEL No. 5APD10655

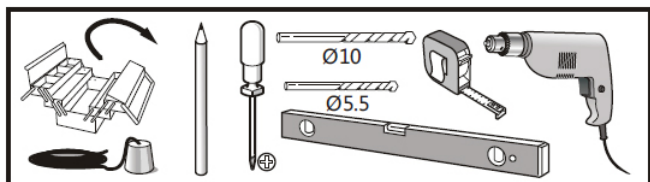
INSTALLATION MANUAL



A



TOOLS REQUIRED

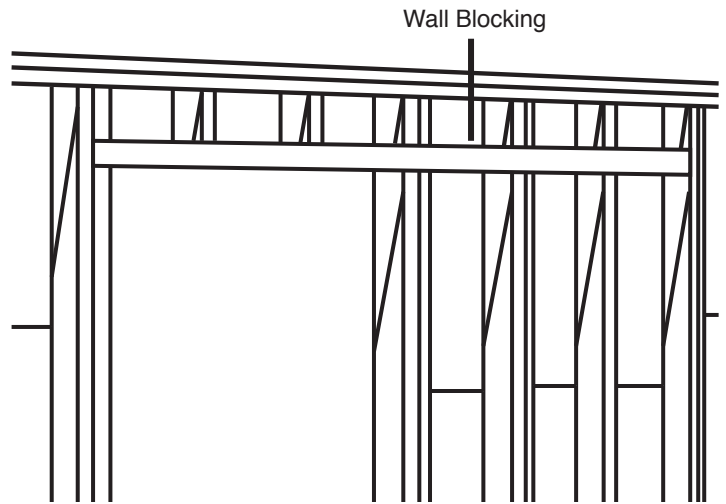
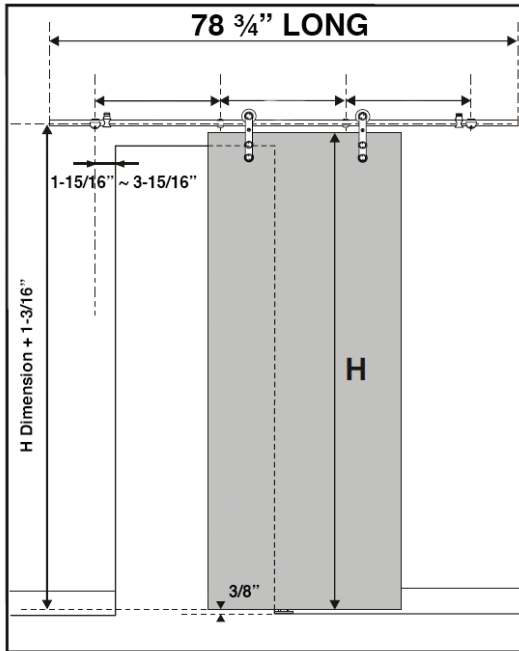


- Plumb Line
- Pencil
- Phillips Head Screwdriver
- 10mm Drill Bit
- 5.5mm Drill Bit
- Level
- Tape Measure
- Power Drill

INCLUDED IN KIT

A	78-3/4" Rail	x1
B	Door Roller Hardware	x2
C	End Bracket	x2
D	Center Bracket	x2
E	ST4.8x50 Bolt	x4
F	ST5.5x32 Screw	x3
G	Floor Anchor	x3
H	Routed Floor Guide	x1
I	Door Stops	x2
J	Adjustable Installation Wrench	x1
K	4mm/8mm Allen Keys	x1

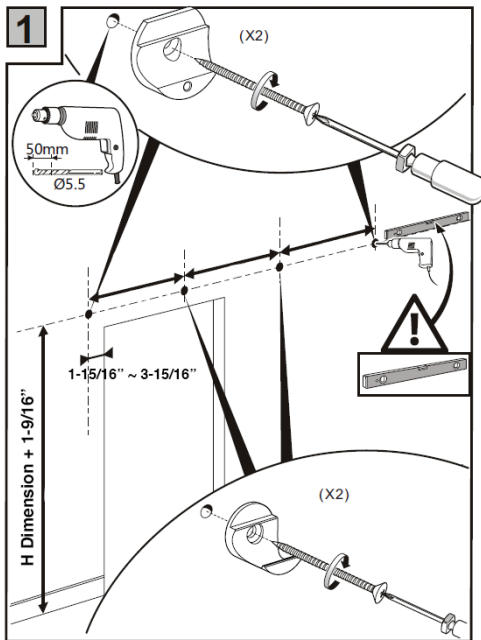
American Pro Decor assumes no liability for improper installation.



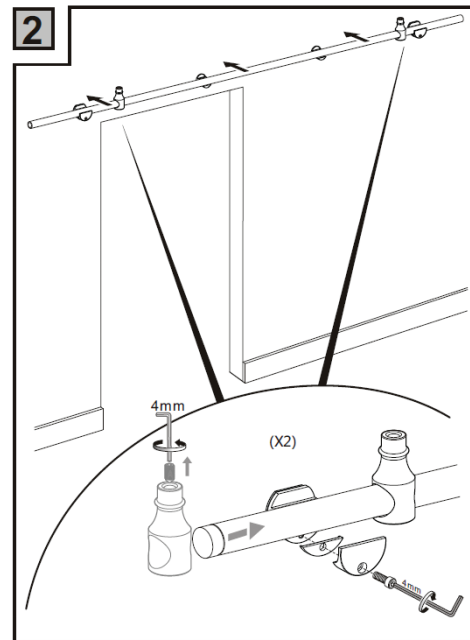
NOTES

1. To obtain maximum weight capacity, all fasteners must be mounted into solid wood studs or wall blocking or mounted to a header board.
2. Adjustable mounting brackets allow for standard 16" U.S. stud spacing, or any variation.

Find the centerline of the track. Using a level, mark a horizontal line twice the door width long. Mark the bracket screw locations into the wall blocking. Attach the wall portion of the brackets as shown. Consult a structural engineer if you have questions about what type of wall blocking is required.

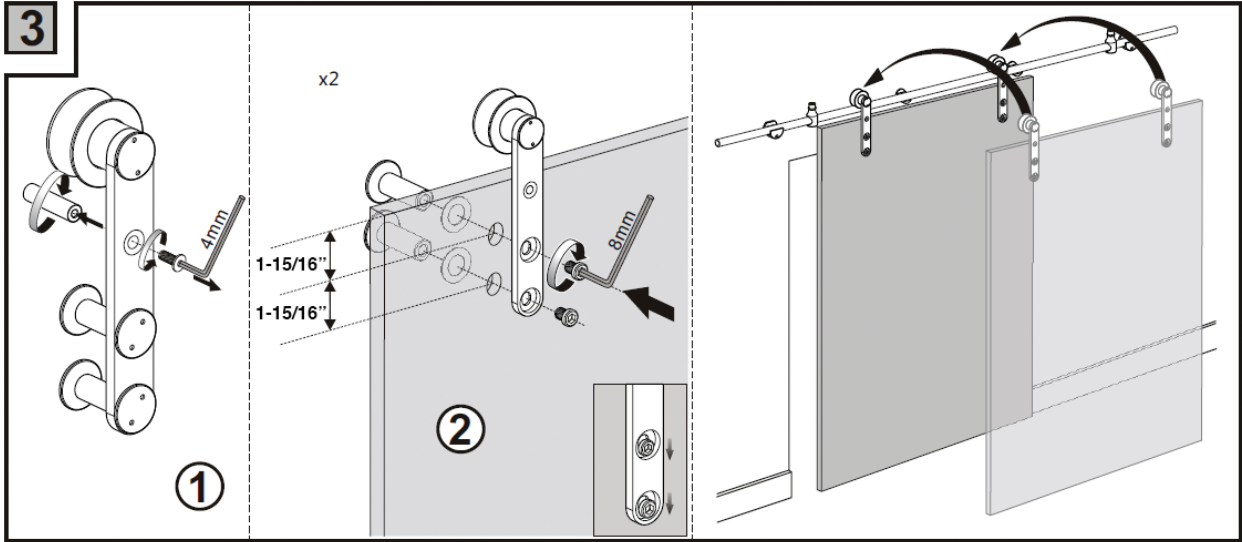


Suggested wall bracket spacing. Brackets must be secured into wall blocking.

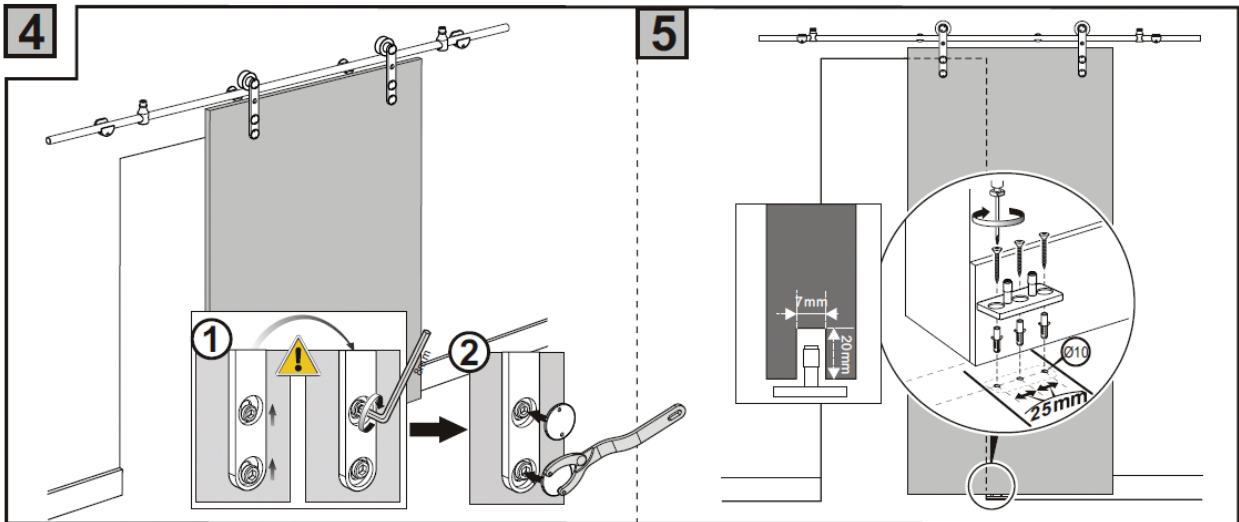


Attach rail to wall as shown.

American Pro Decor assumes no liability for improper installation.

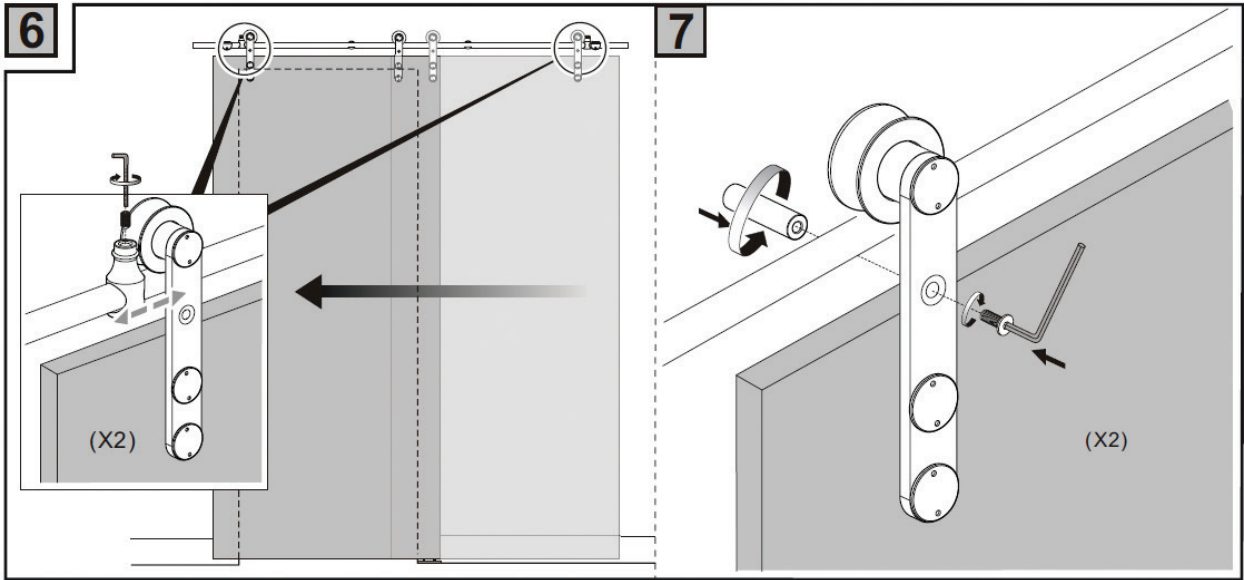


1. Remove the anti-rise pin and drill holes centered in door thickness. The door should be routed at this time.
2. Mount the rolling straps to the door and position the door on the rail.



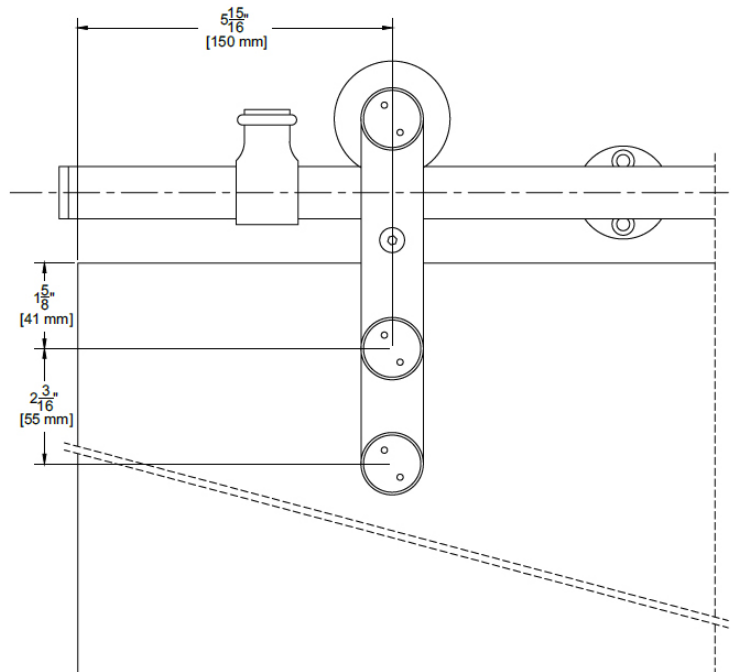
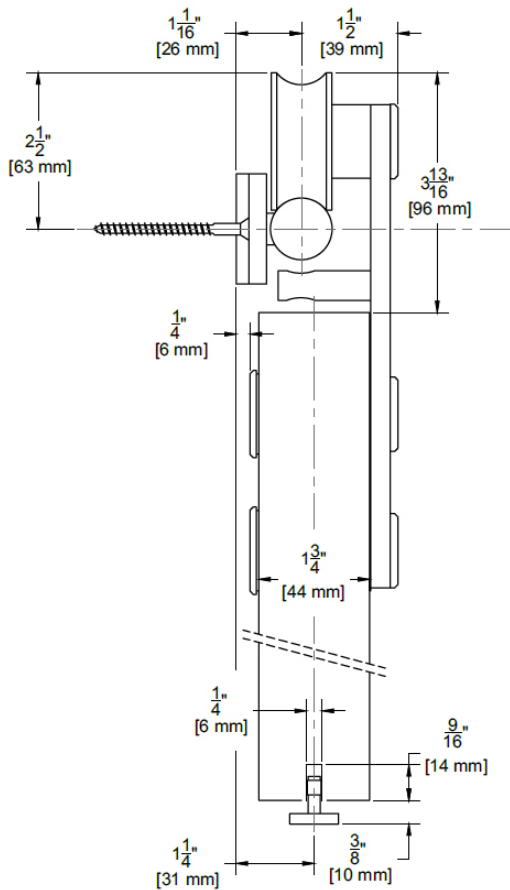
Adjust the stops accordingly. Tighten the set screw with sufficient force to drive the set screw into the bar after making the final adjustment.

Plumb the door and mark the positions of the floor guides. Mount the floor guides to the floor.



Adjust the door stops accordingly. Tighten the set screw with sufficient force to drive the set screw into the bar after making the final adjustment.

Reattach the anti-rise pin to the door rollers



American Pro Decor assumes no liability for improper installation.