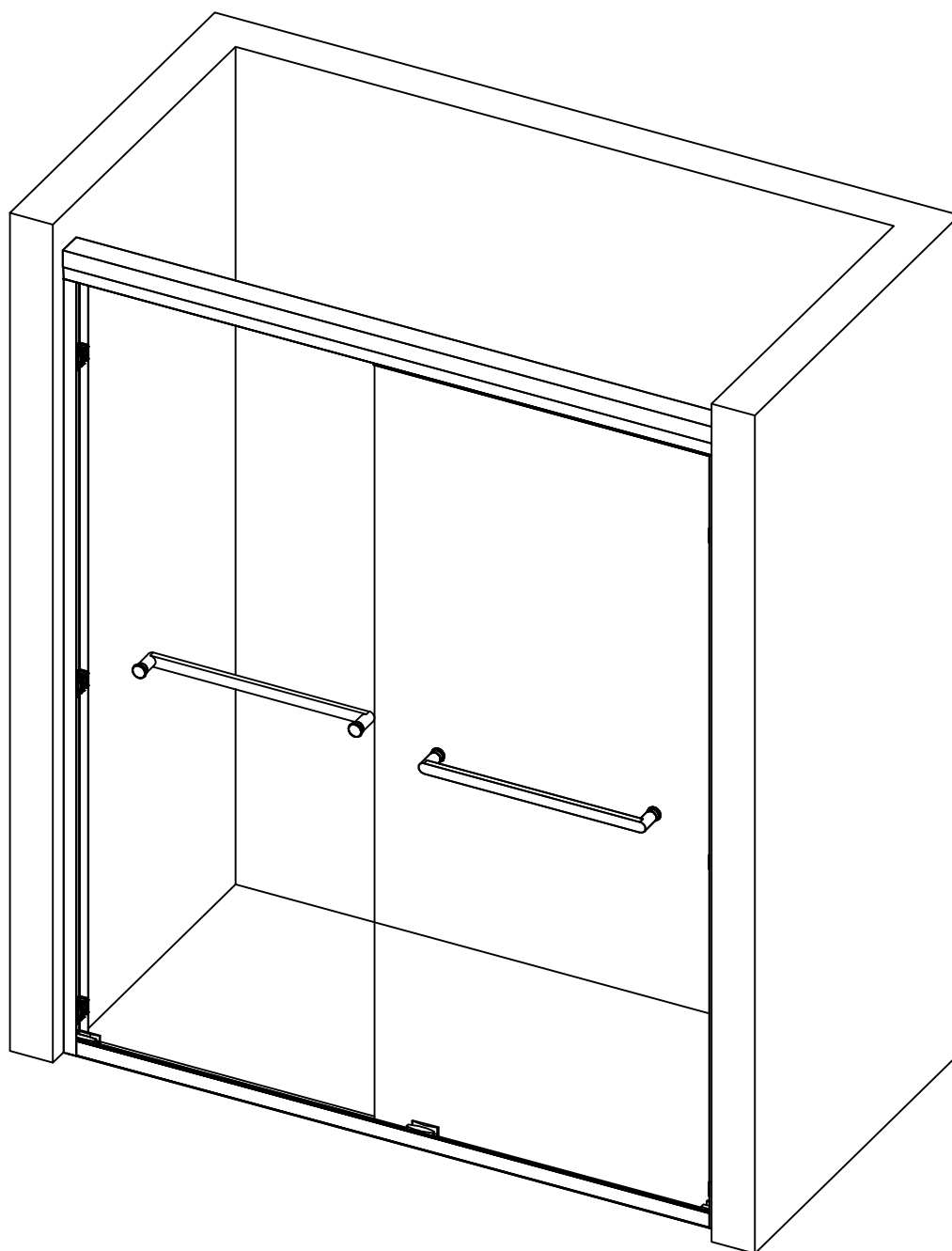


INSTRUCTION MANUAL



2 PEOPLE REQUIRED

Please keep this manual and product code number for future reference and for ordering replacement parts if necessary.

GENERAL INSTRUCTIONS

- Read this manual carefully and completely before proceeding.
- It is recommended that you wear safety glasses at all times during the installation.

INSTALLATION OVER CERAMIC TILES

- If your shower door is to be installed over ceramic tiles, the tiles should lay completely under the wall jamb.
- Silicone should be used to seal the gap where the ceramic tiles meet the fixed panel.

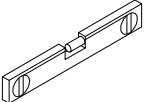
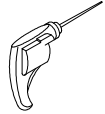
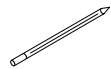

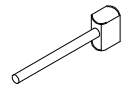

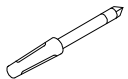
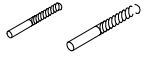
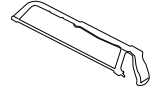

NOTICE

- Caulking: no sealant is required inside the shower, unless otherwise stated.
- Some models are equipped with clear sealing gaskets.

CARE FOR YOUR SHOWER DOOR

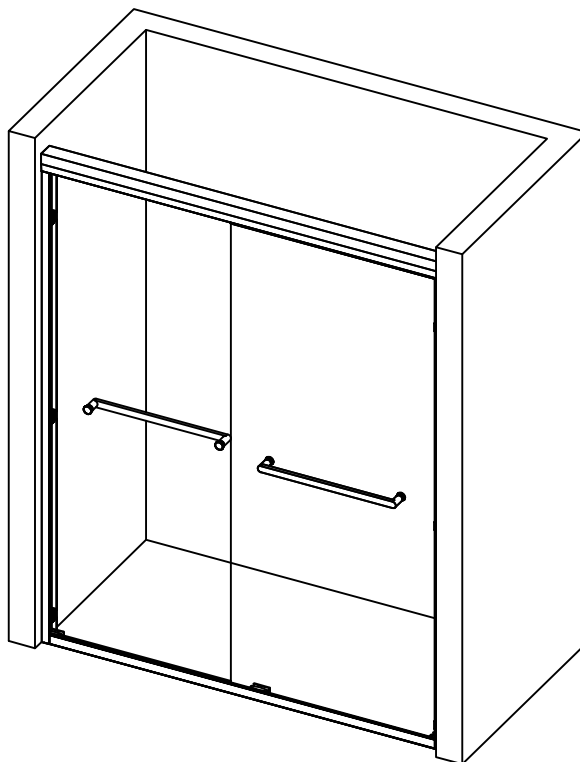
- Never use scouring powder pads or sharp instruments on metal pieces or glass panels.
An occasional wiping down with a mild soap diluted in water is all that is needed to keep the panels and metal parts looking new.
- We recommend wiping the glass panels with a squeegee after each use.

TOOLS REQUIRED

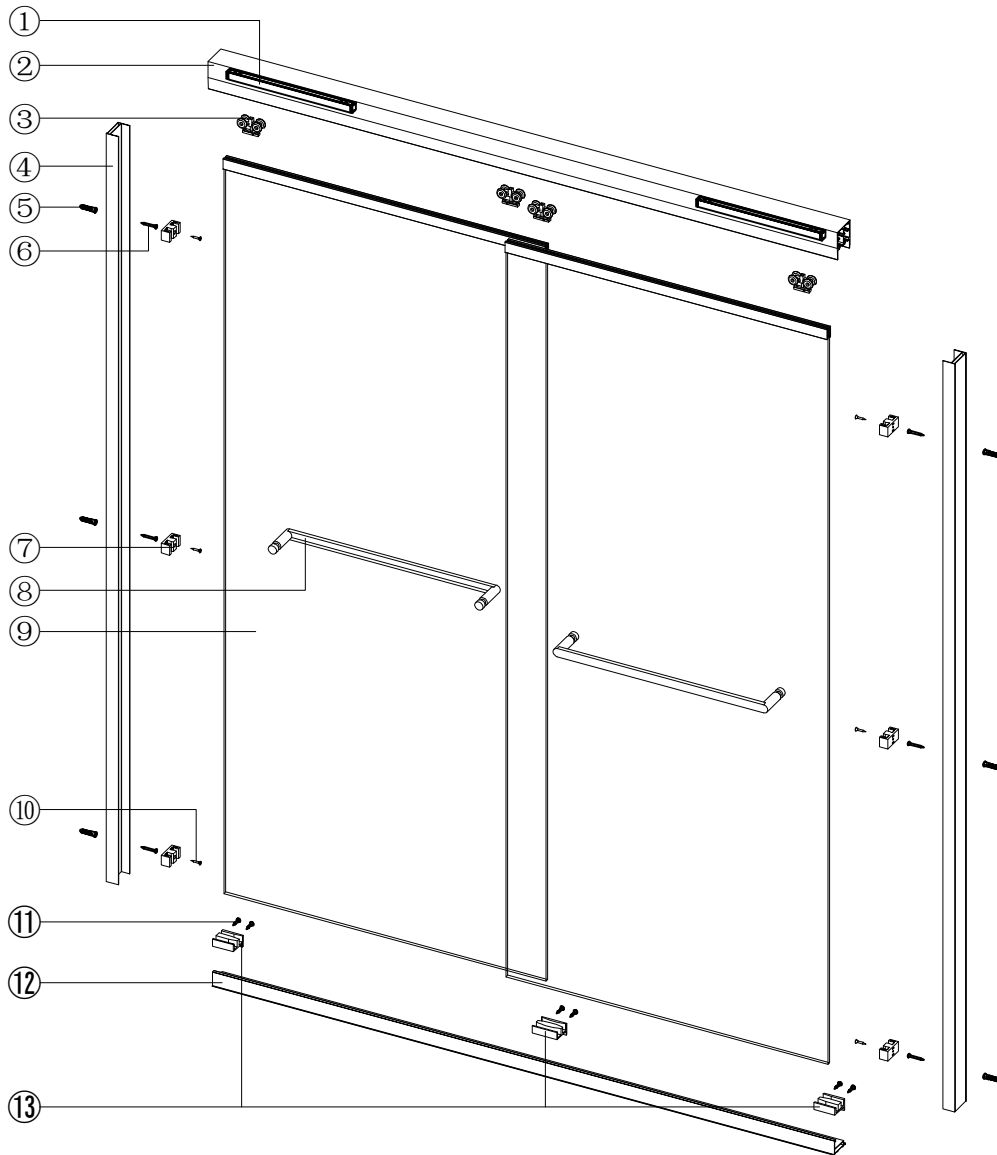
 SPIRIT LEVEL	 POWER DRILL	 PENCIL	 SILICONE	 MALLET
 TAPE MEASURE	 SCREW DRIVER	 6mm&3mm(1/4"&1/8") DRILLBITS	 HACKSAW	 SAFETY GLASSES

* Use a 6mm($\frac{1}{4}$ ") drill bit or ceramic when drilling into ceramic tiles

CHOOSE A CONFIGURATION

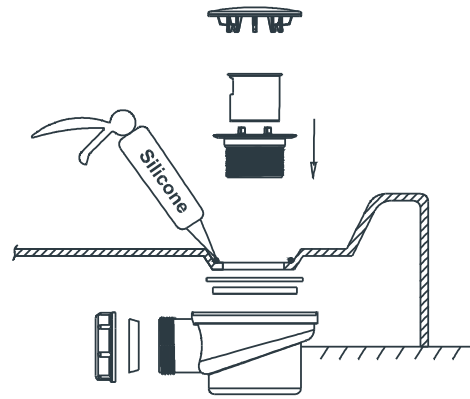
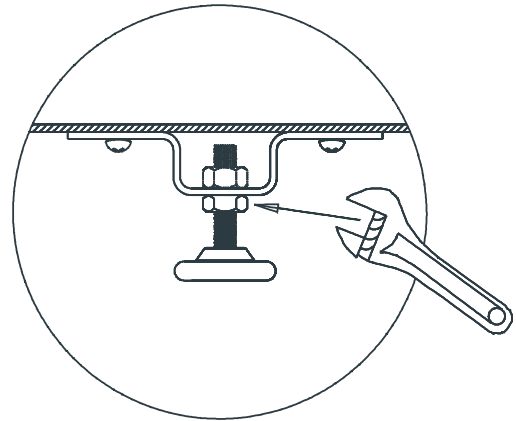
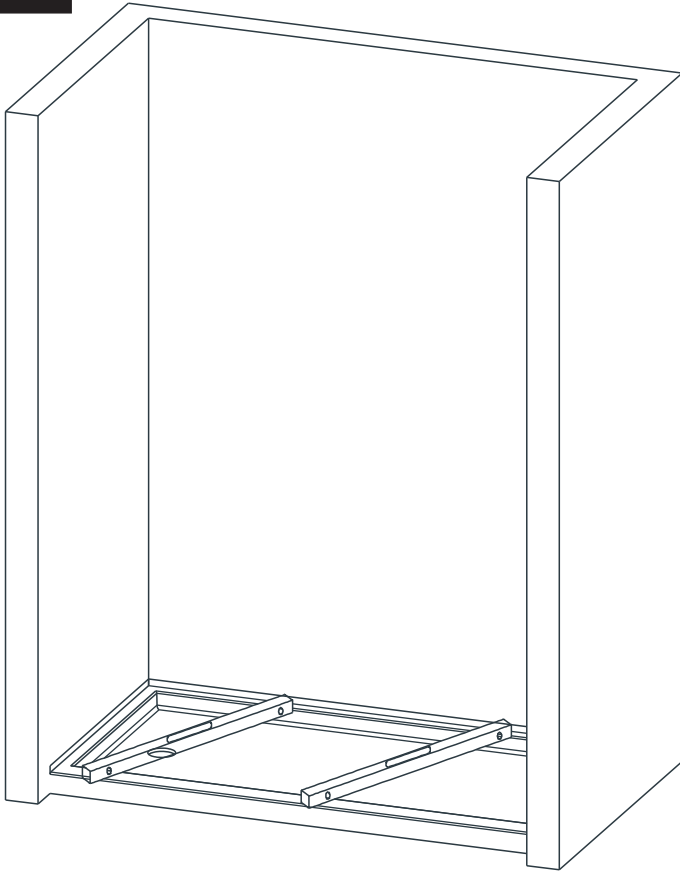


PARTS LISTING

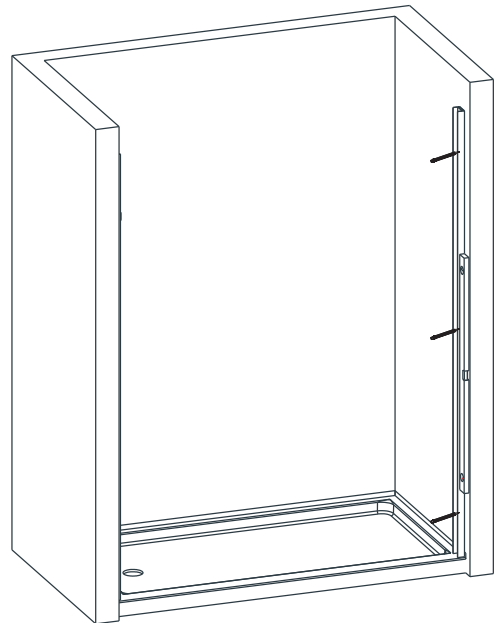
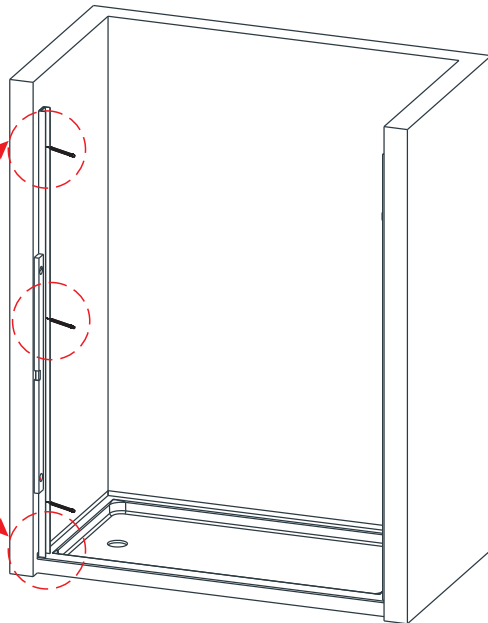
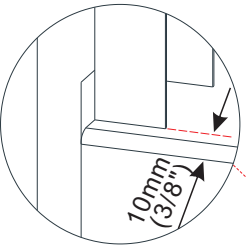
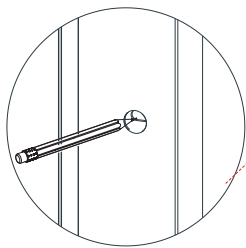


NO.	Name	Picture	Qty	NO.	Name	Picture	Qty
1	Square damper		4	8	Towel bar		2
2	Guide Rail		1	9	Sliding door glass		2
3	Roller	$\varnothing 20$	4	10	screw ST4x16		6
4	Wall profile		2	11	screw ST4x10		6
5	6mm Wall plug		6	12	Bottom profile		1
6	screw ST4x30	圆头自攻丝	6	13	Guide block		3
7	Anti Collision Block		6	14	Special wrench		1

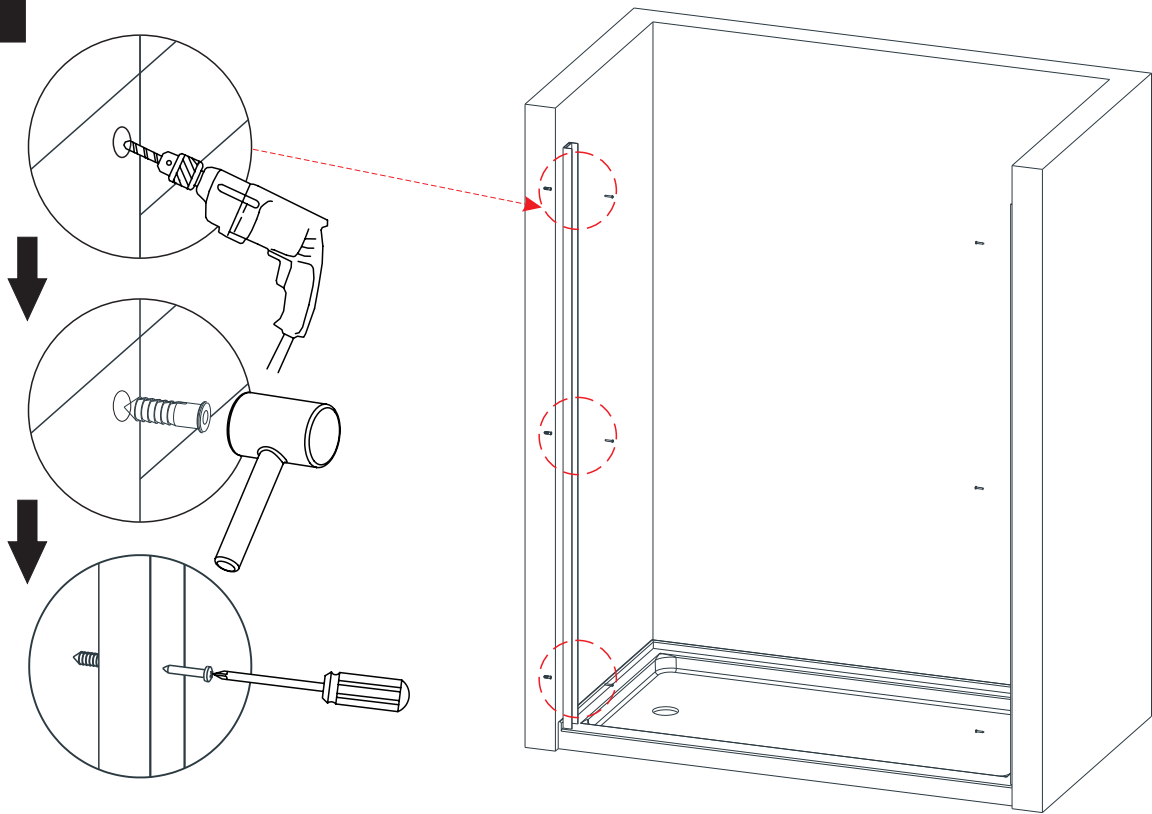
1



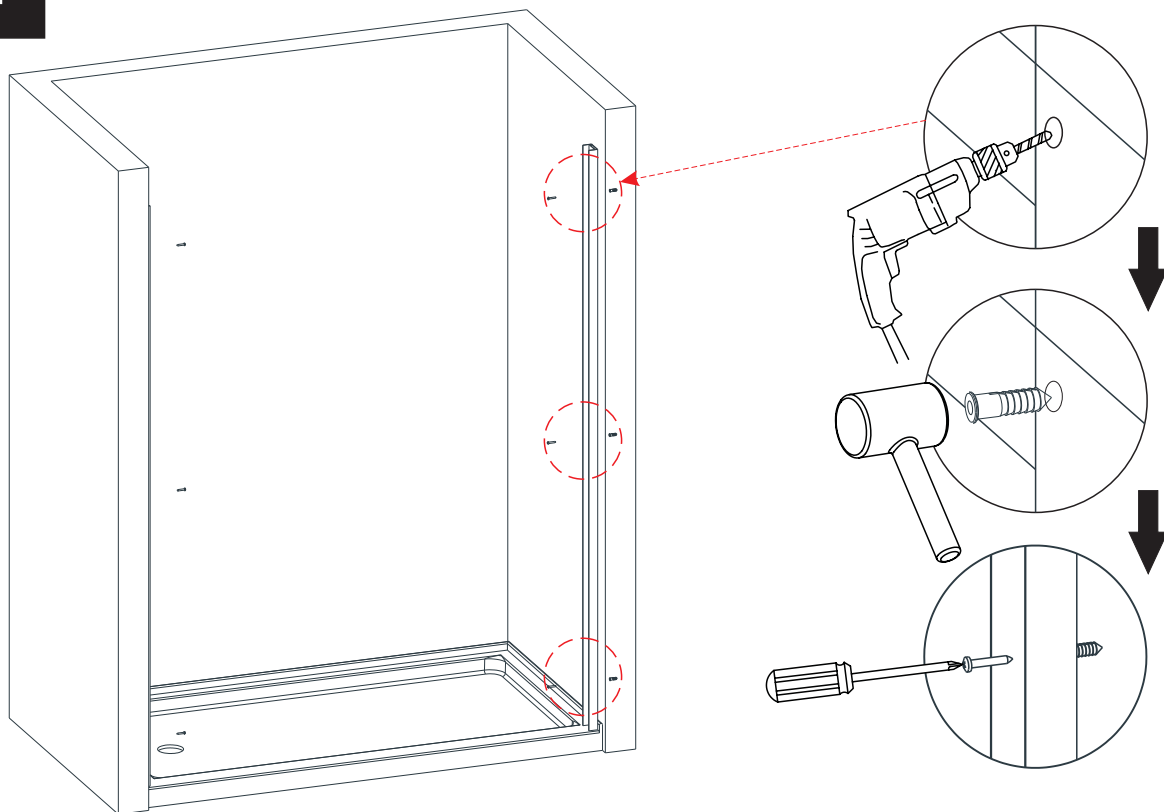
2



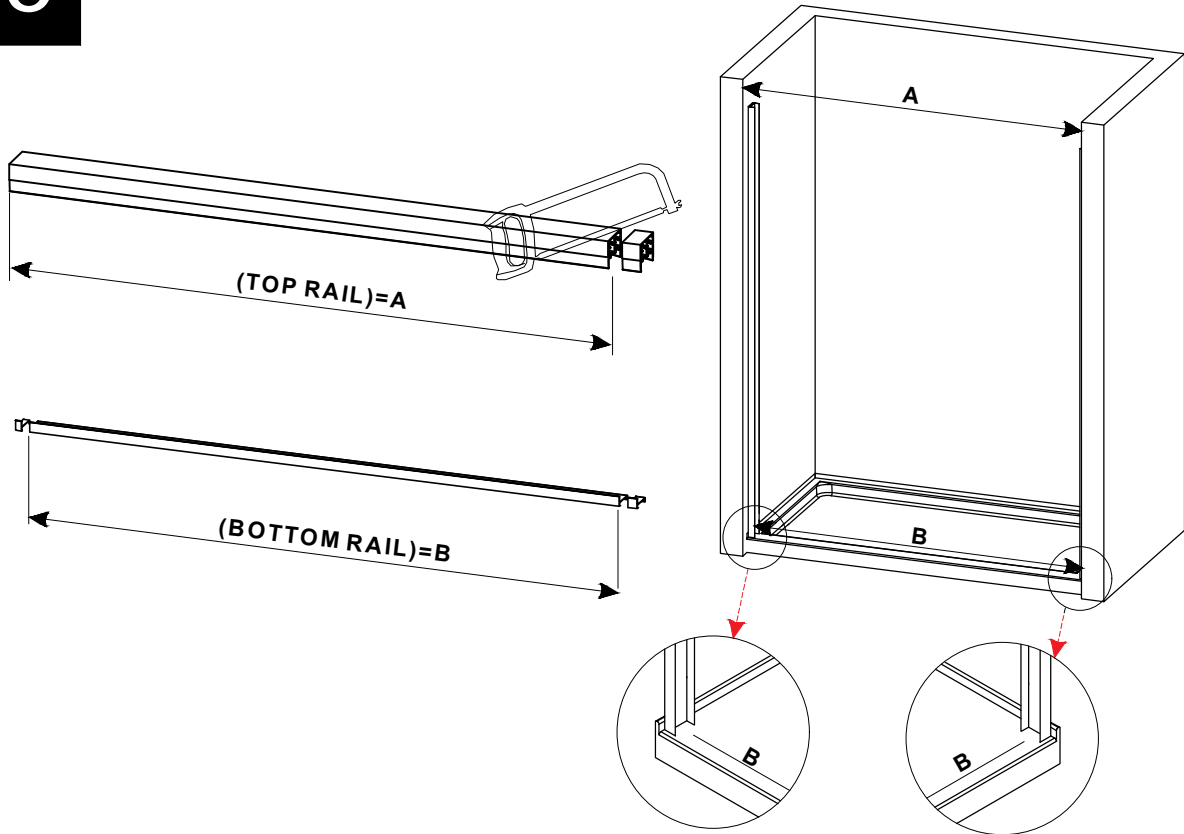
3



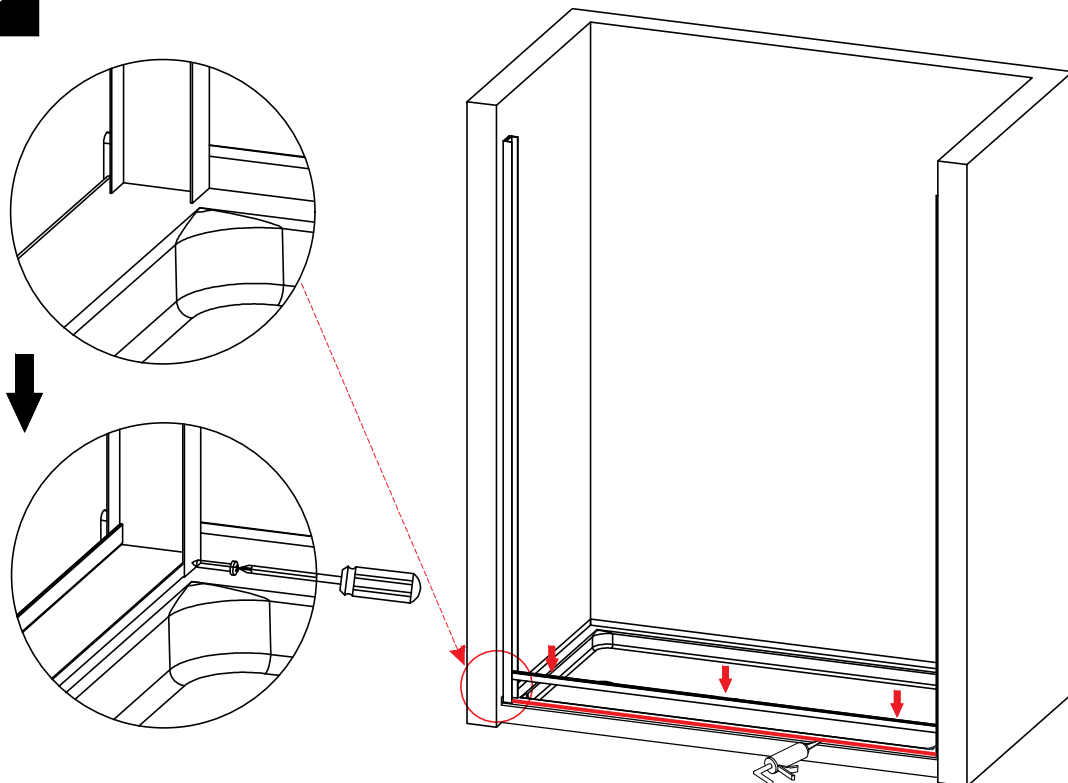
4



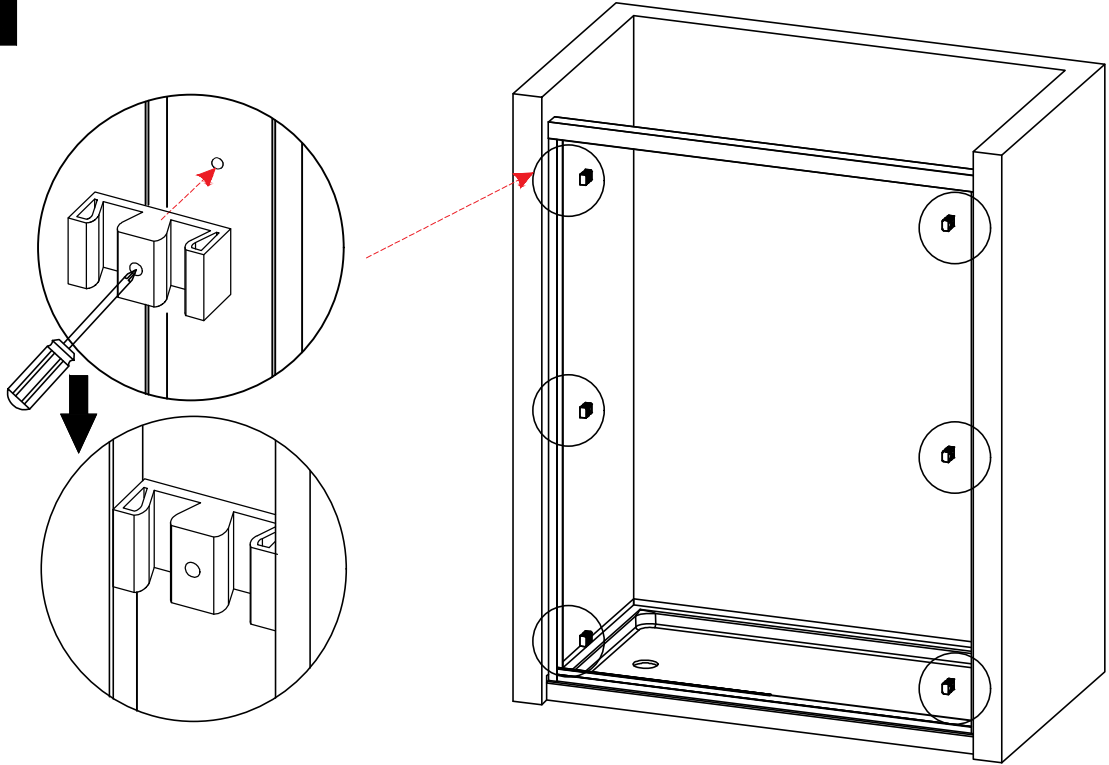
5



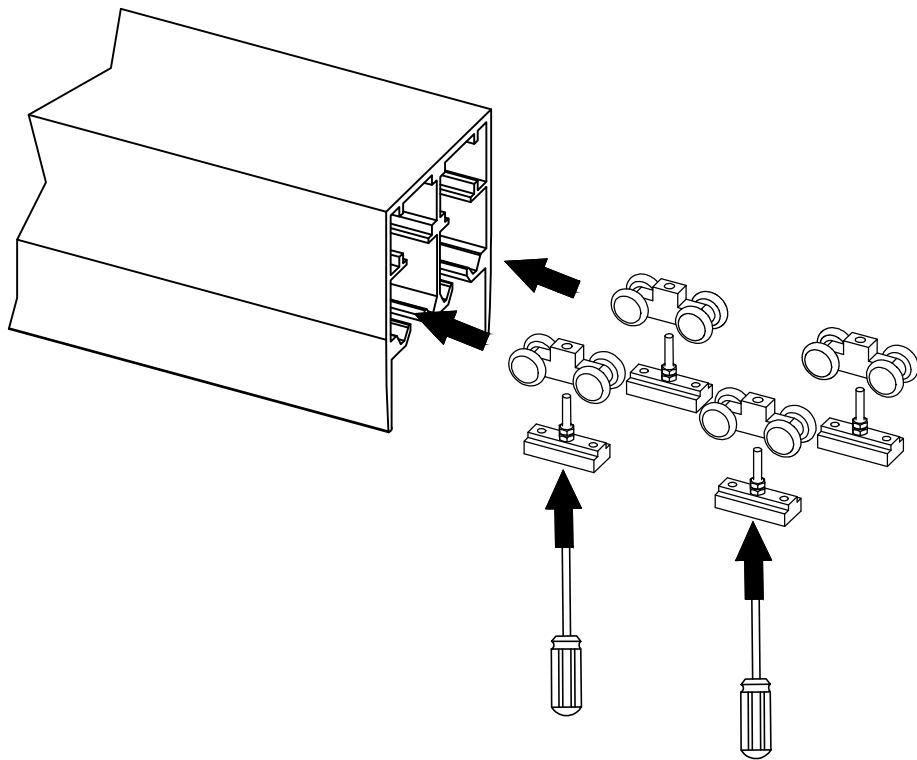
6



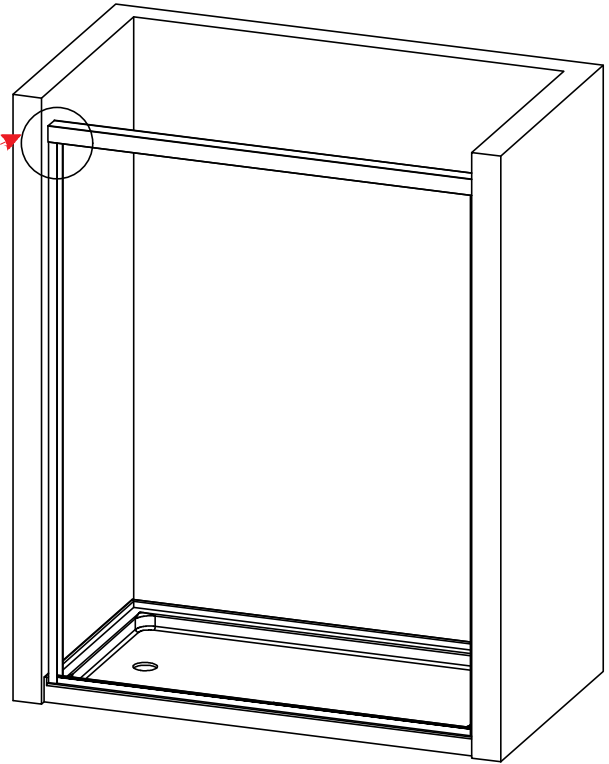
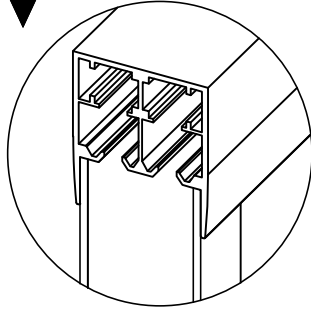
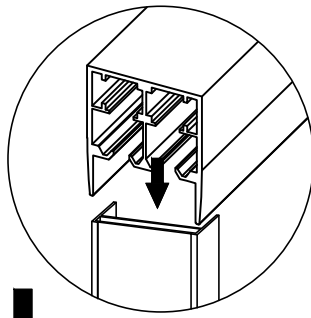
7



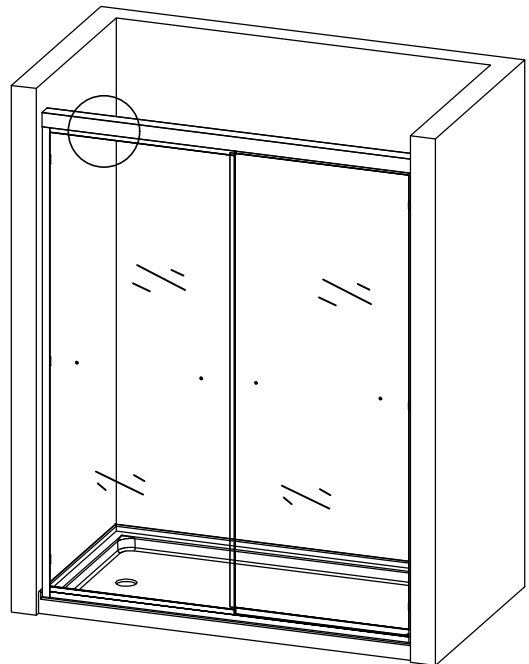
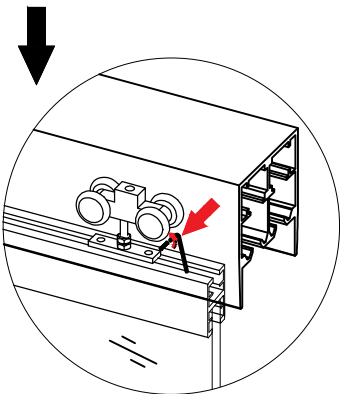
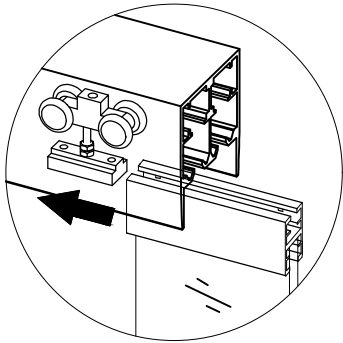
8



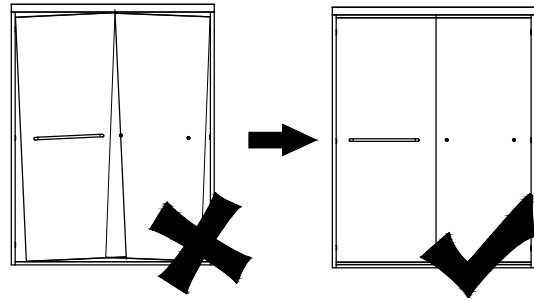
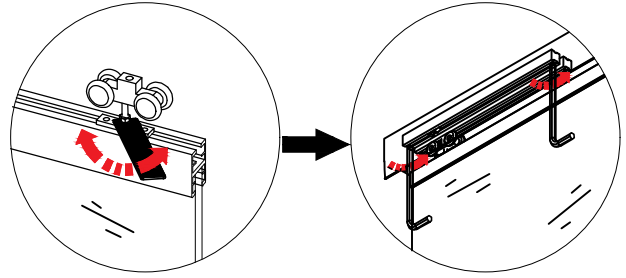
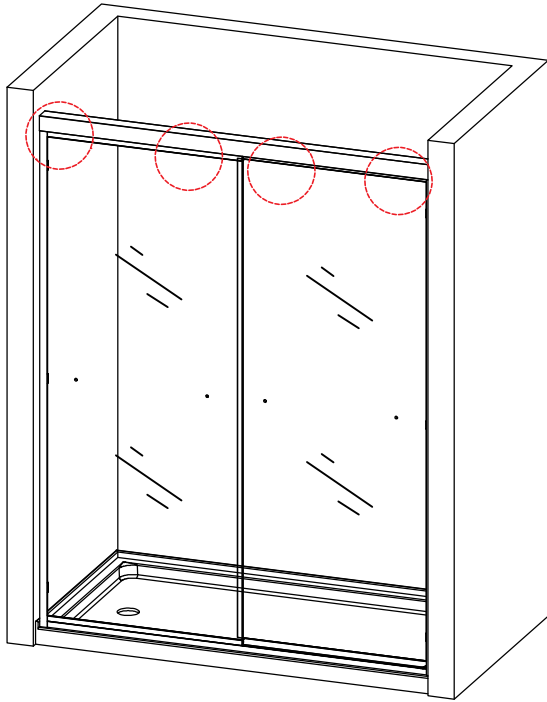
9



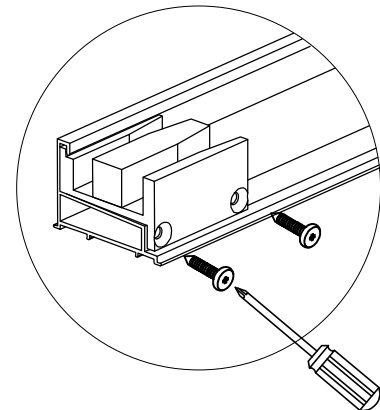
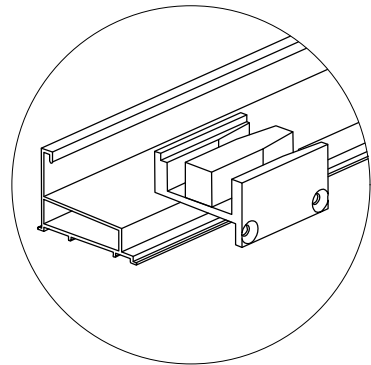
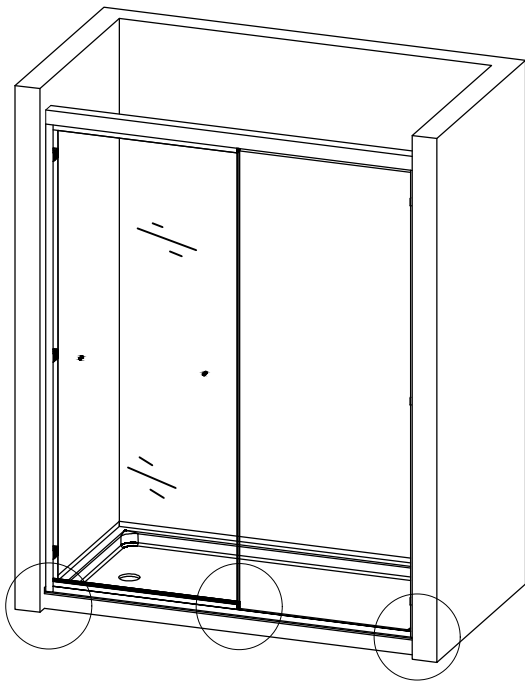
10



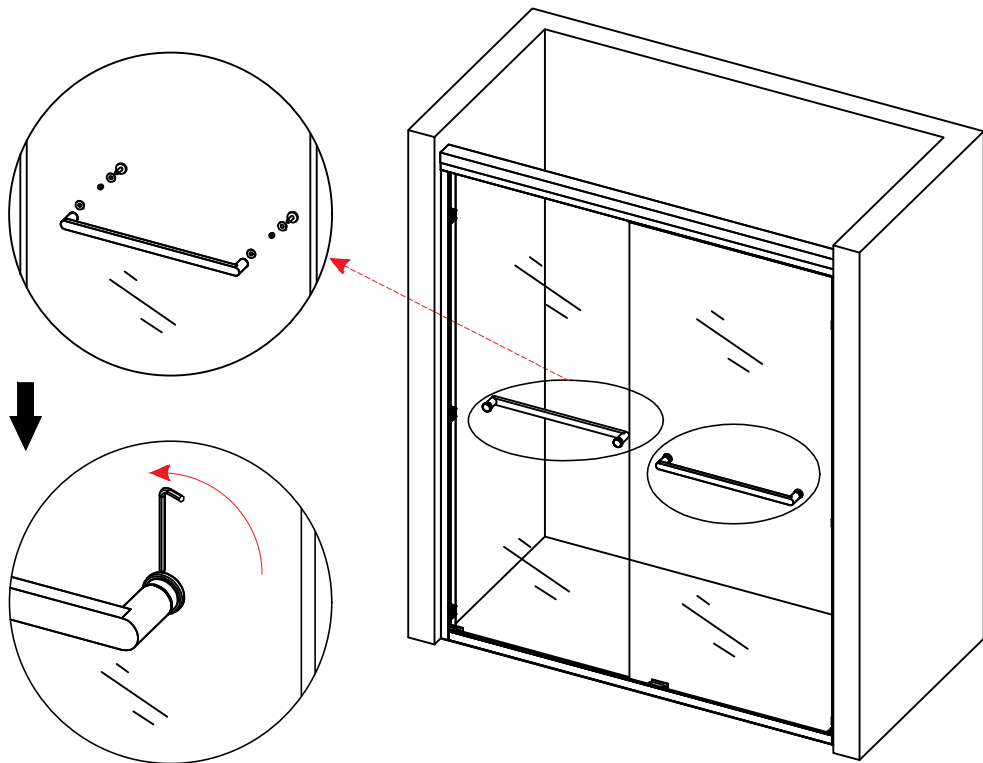
11



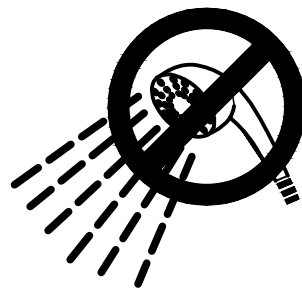
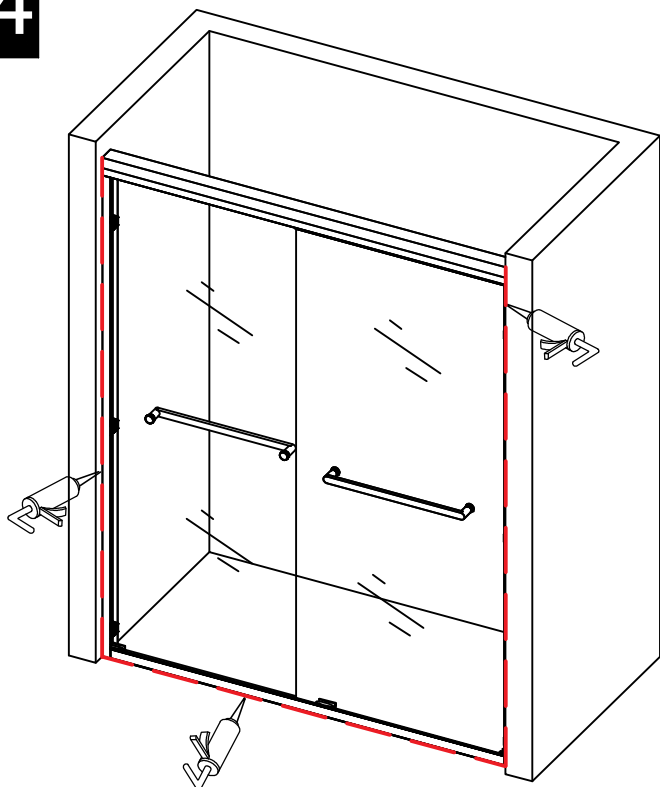
12



13



14



24 HOURS