

PULSAR 01 Outdoor Shower



brushed
PLSR-2020-BR

matte black
PLSR-2020-MB

SPECIFICATIONS

MATERIAL: 316 marine grade stainless steel

FEATURES: pressure balance valve
diverter
hand shower
built-in part for easy installation

WEIGHT: 21 lbs

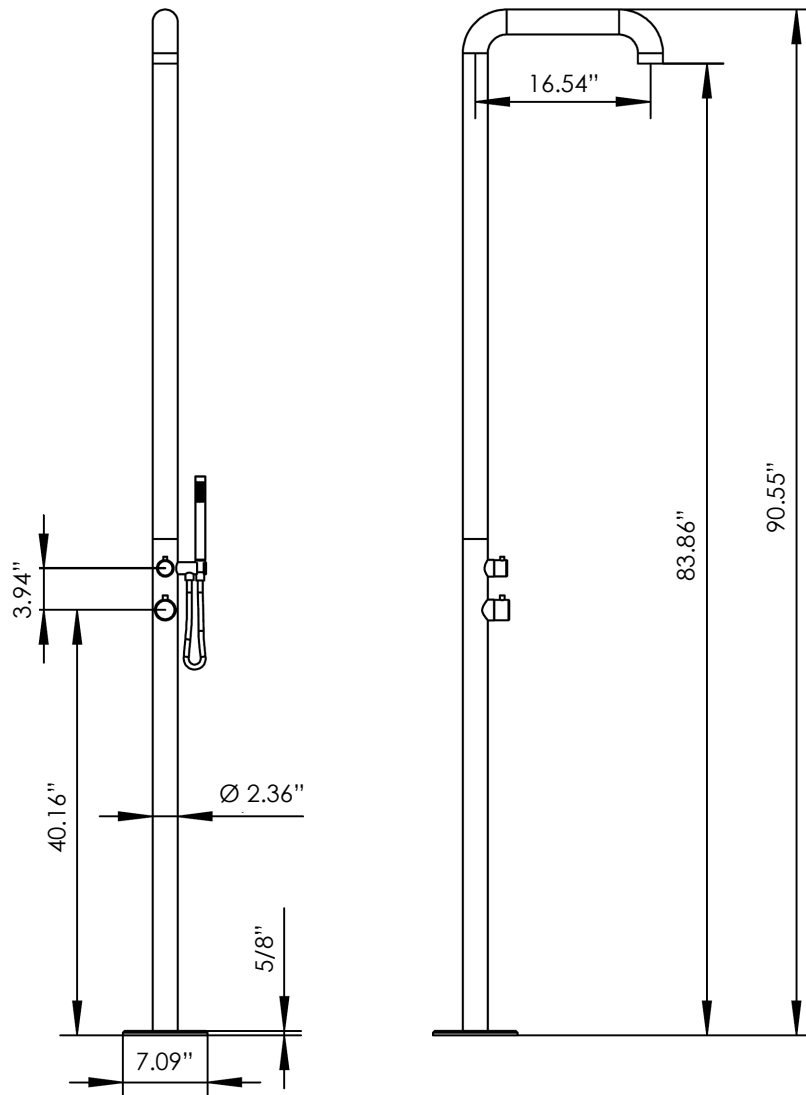
PACKAGE DIMENSIONS: L 51" x W 22" x H 11"

DELIVERY WEIGHT: 28 lbs

MAINTENANCE & CARE

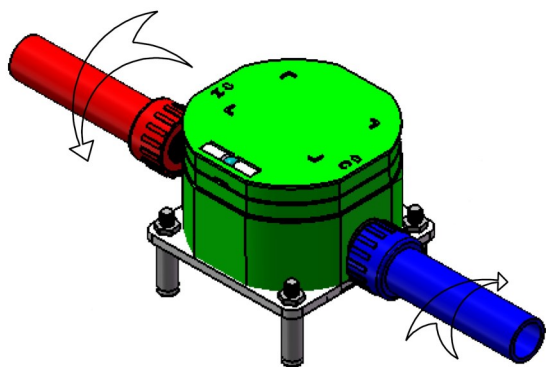
BRUSHED: Regularly apply stainless steel cleaner and rub in the direction of the grain, using a slightly abrasive sponge.

MATTE BLACK: Regularly clean with soap water or alcohol. Do not use abrasives.



PULSAR 01 Outdoor Shower

BUILT-IN PART FOR INSTALLATION



FLOOR INSTALLATION DETAIL

