

# ASSEMBLY INSTRUCTION




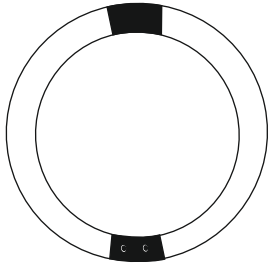
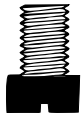
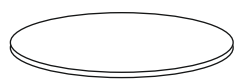
ITEM # : 3825  
DES.: ANILLOS JUNTOS  
ACCENT TABLE

## Care Maintenance

Spot clean using a mild water-free solvent. Only a professional polisher should undertake a complete overall refinishing.

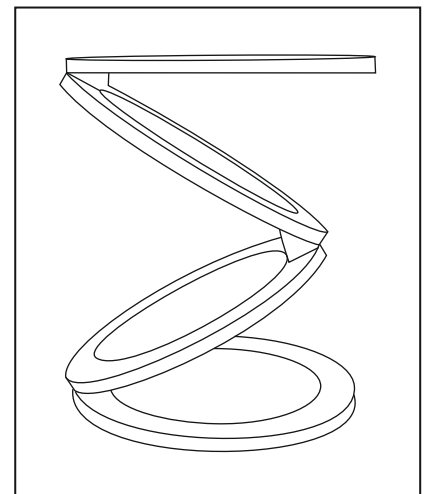
## Care Maintenance

- \* Please make sure that you have all parts indicated before you begin assembly of this item
- \* This item should be assembled on a soft dust free surface to prevent scratching the finish during assembly
- \* Retain the Allen Key as the table may require periodic tightening

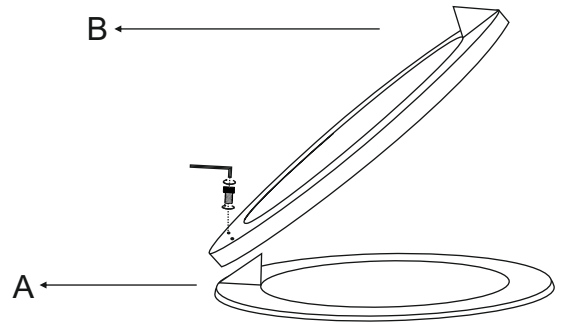
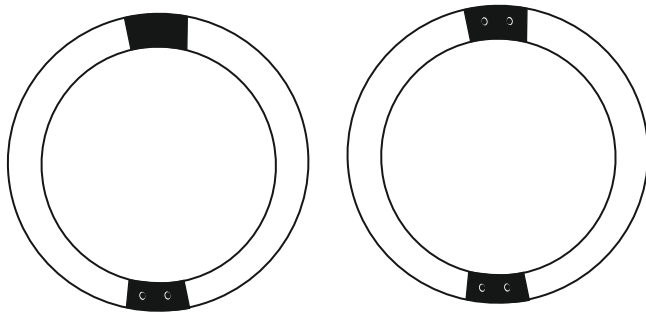
Part List & Hardware List			
Allen Key (x1)	Table Rings (x4)	Screws (x6) +1	Glass Top (x1)
			

## Preparation

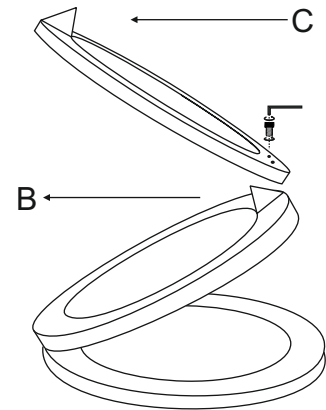
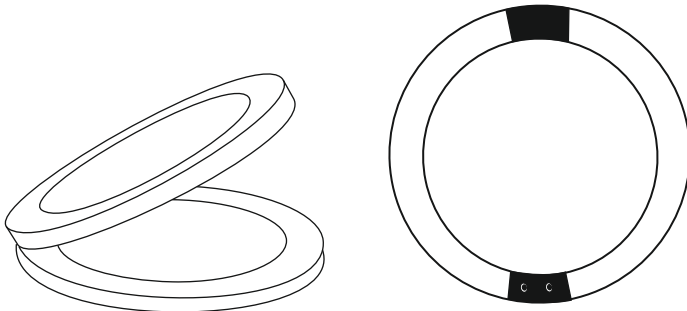
- \* Before beginning assembly of product, make sure all the parts are present.
- \* Compare parts with package contents list and hardware contents list.
- \* Assemble Table upside down.
- \* **There are 3 connection points (A, B & C)**
- \* If any parts are missing or damaged, do not attempt to assemble the product.
- \* Two Persons are recommended for assembly to prevent scratching the finish. Estimated Assembly Time : **5** minutes.



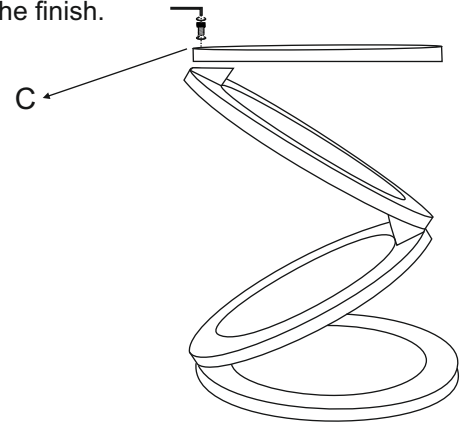
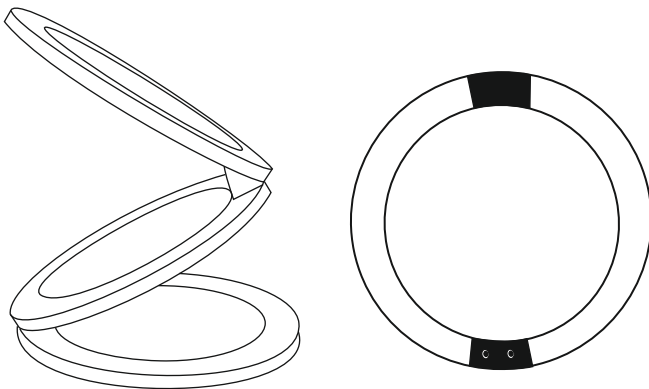
**Step-1** Place top ring upside down on soft dust free flat surface (**marked A ONLY**). Connect second ring to top ring (**A to A**) using 2 screws and Allen Key. 2 Persons are recommended to prevent scratching the finish.



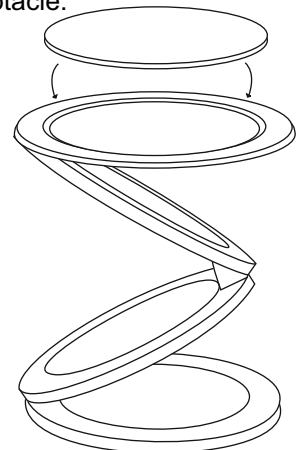
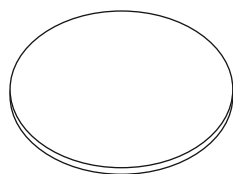
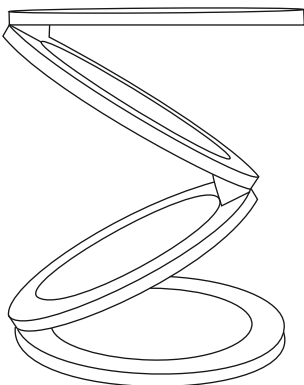
**Step-2** Connect third ring to opposite side of second ring (**B to B**) using 2 screws and Allen Key. Again, 2 Persons are recommended to prevent scratching the finish.



**Step-3** Connect bottom ring to opposite side of third ring (**C to C**) using 2 screws and Allen Key. Again, 2 Persons are recommended to prevent scratching the finish.



**Step-4** Carefully turn entire structure right side up and place glass insert in the receptacle.



\*NOTE: Do not exceed 22 LBS of weight placed on top of the table.