

ODETTE

FR39216PNI

EIGHT LIGHT LINEAR

The luxurious composition of Odette's modern design forms a statement-making jewelry piece, certain to be the center of attention. Emerald cut, solid glass crystal panels add breath-taking sparkle. Odette is offered in a gleaming Polished Nickel or lustrous Gunmetal finish.

DETAILS

FINISH:	Polished Nickel*
MATERIAL:	Steel

DIMENSIONS

WIDTH:	42"
HEIGHT:	10"
DEPTH:	8.3
WEIGHT:	36.3lb

LIGHT SOURCE

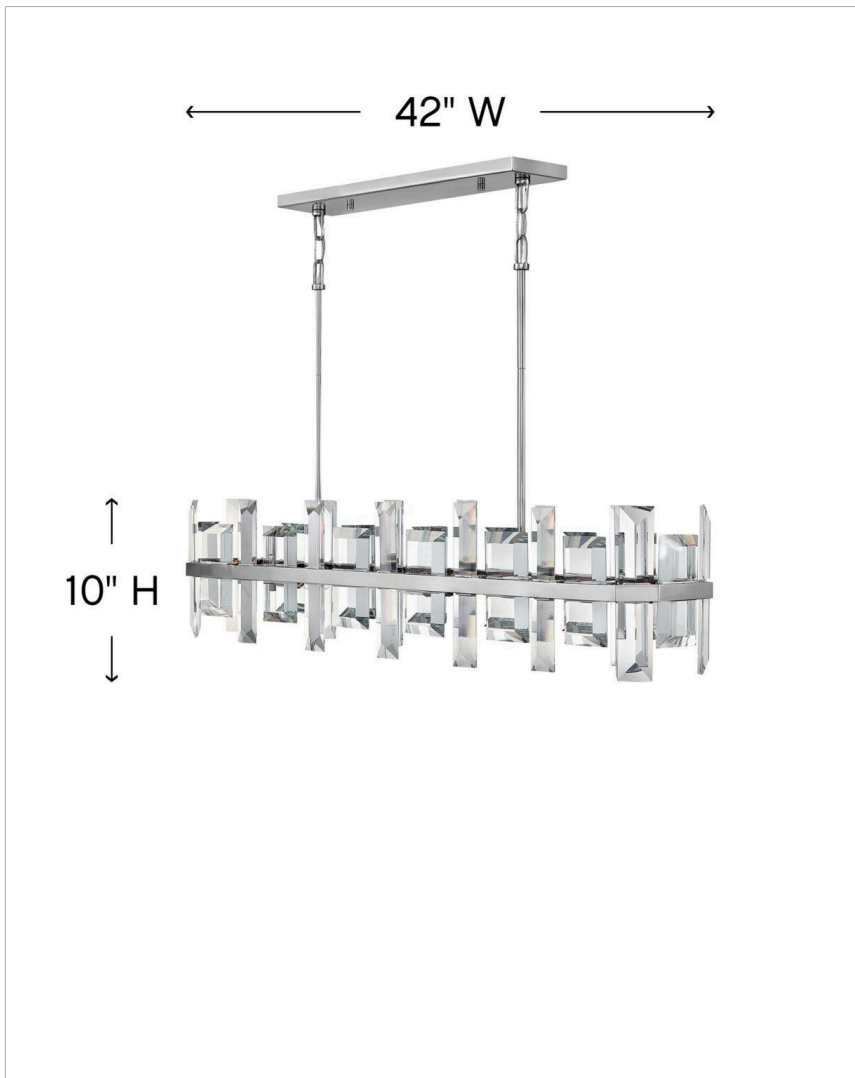
LIGHT SOURCE:	Socket
WATTAGE:	8-60w Cand.
VOLTAGE:	120v

MOUNTING

CANOPY:	19.5"L X 4.75"W
LEAD WIRE:	1 X 120"
MAX HEIGHT:	42.5

SHIPPING

CARTON LENGTH:	45.7
CARTON WIDTH:	10.6
CARTON HEIGHT:	12.2
CARTON WEIGHT:	39.2



PRODUCT DETAILS:

- This fixture includes multiple down stems in various lengths to customize the installation height, including two 6" stems and four 12" stems.
- Suitable for use in dry (indoor) locations as defined by NEC and CEC. Meets United States UL Underwriters Laboratories & CSA Canadian Standards Association Product Safety Standards
- Striking and glamorous silhouette with luxe details and a rich finish makes a dramatic statement
- Gleaming luxe polished nickel finish