

CONVENIENCE CONCEPTS

Palm Beach End Table

#131345BB



#131345W



#131345BL



THANK YOU FOR YOUR ORDER!

ENCLOSED PLEASE FIND A POLISHING CLOTH FOR YOUR USE TO CLEAN THE RESIDUE FROM THE FINE OIL USED IN PRODUCTION OF THIS CHROME PRODUCT. PLEASE ALSO CALL US IF YOU HAVE ANY QUESTIONS.

Assembly Instructions

We have designed our furniture with you, the customer in mind. Our clear, easy to follow, step by step instructions will guide you through the project from start to finish. Feel confident that this will be a fun and rewarding project. The final product will be a quality piece of furniture that will go together smoothly and give years of enjoyment.

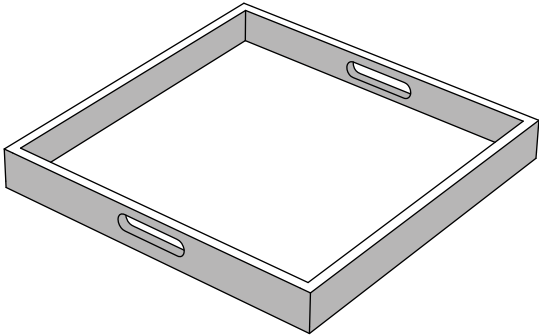


Please do not return to the store

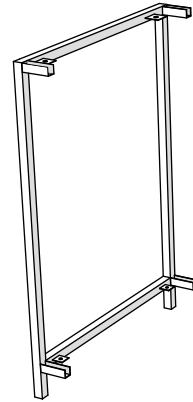
- . Broken or Missing Hardware?
- . Need help with Assembly?

If you have any questions just call 1-800-468-6447 or email us at parts@convenience-concepts.com

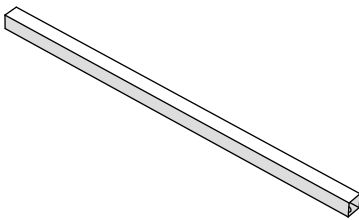
PART LIST



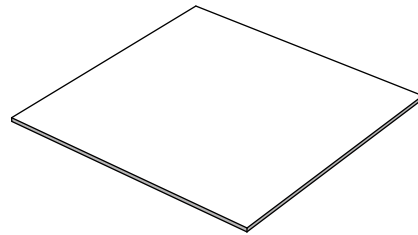
A TRAY (1PC)



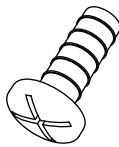
B SIDE ASSEMBLY (2PCS)



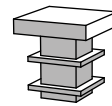
C BOTTOM RAIL(4PCS)



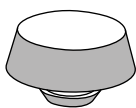
D GLASS (2PCS)



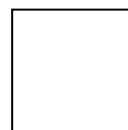
E SCREW (16PCS)



F PLASTIC FOOT(4PCS)



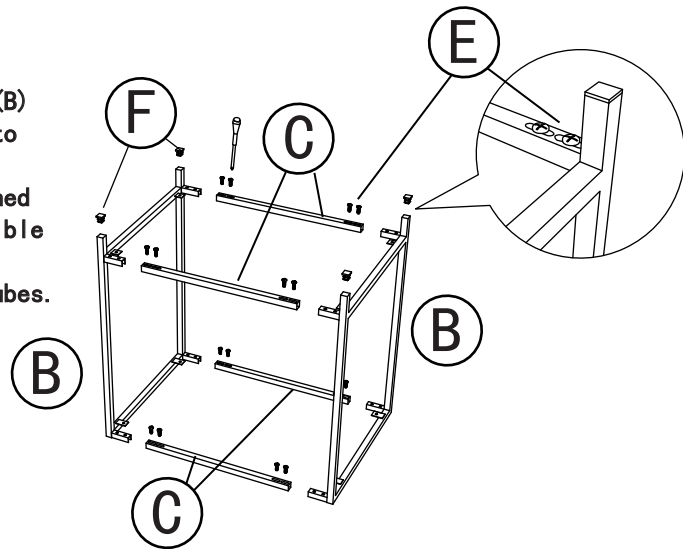
G NON-SLIP DISK (8PCS)



H POLISHING CLOTH (1PC)

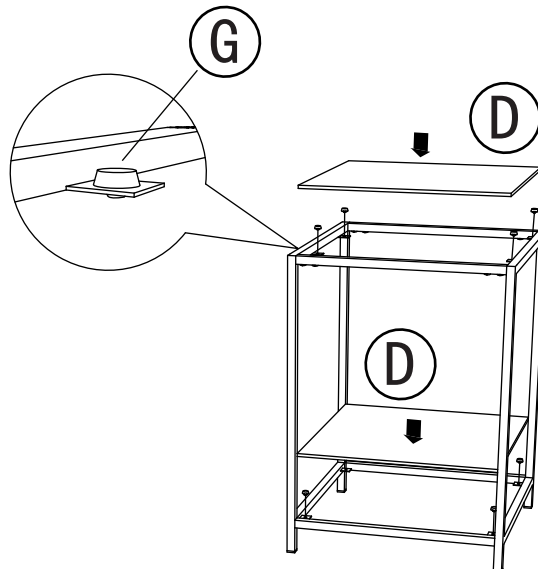
step1

- (1) Connect the side assemblies (B) together by sliding them into the rails (C) as shown.
- (2) Make sure both ends are pushed together as tightly as possible and lock with screws (E).
- (3) Slip plastic feet (F) into tubes.



step2

- (1) Turn it over.
- (2) Peel backing off Non-Slip disks (G) and place disks on assembly as shown to support glass shelves.
- (3) Carefully place glasses (D) on assembly.



step3

Place the tray (A) onto the end table as shown.

