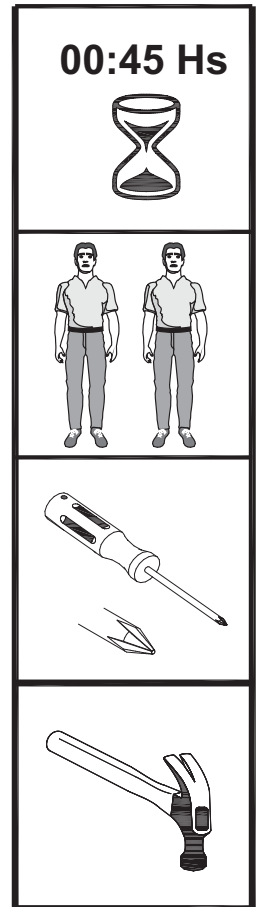
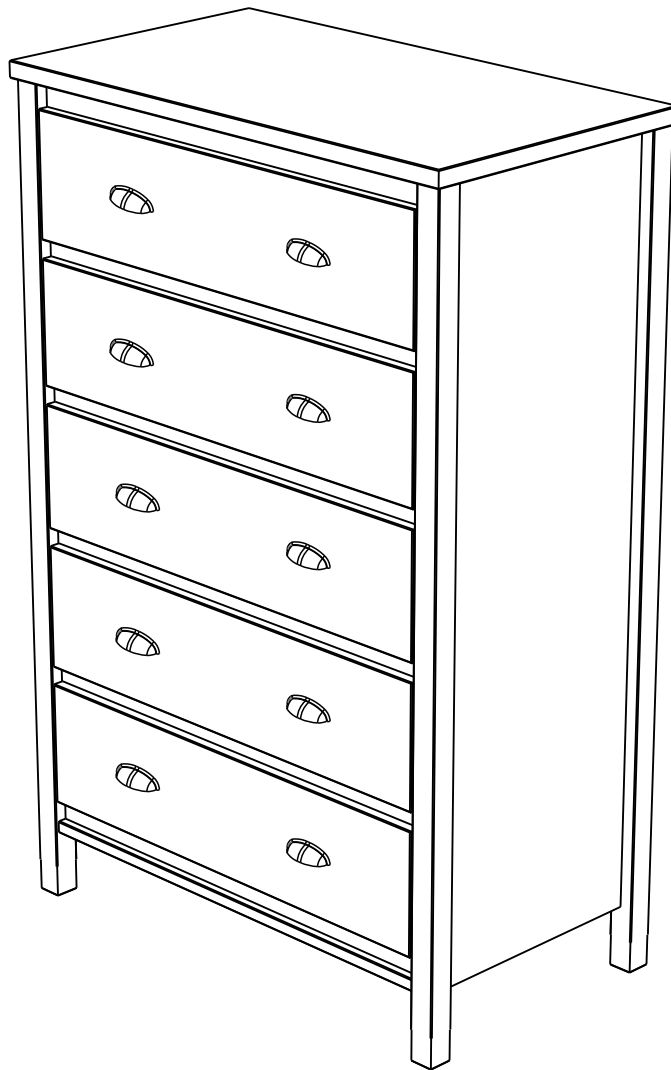
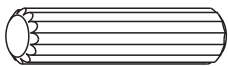


ASSEMBLY INSTRUCTIONS



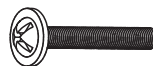
HARDWARE INCLUDED



A - 8,0x30
Qty. 56



B - 4,0x30
Qty. 69



C - M4x22
Qty. 20



D - 4,0x14
Qty. 42



E - Slide Left 330mm
Qty. 05



F - Slide Right 330mm
Qty. 05



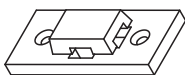
G - Slide Left 330mm
Qty. 05



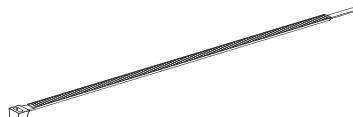
H - Slide Right 330mm
Qty. 05



I - H Profile 1084mm
Qty. 01



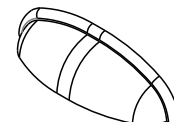
J - Plastic wall bracket
Qty. 02



K - Nylon strap 140mm
Qty. 01

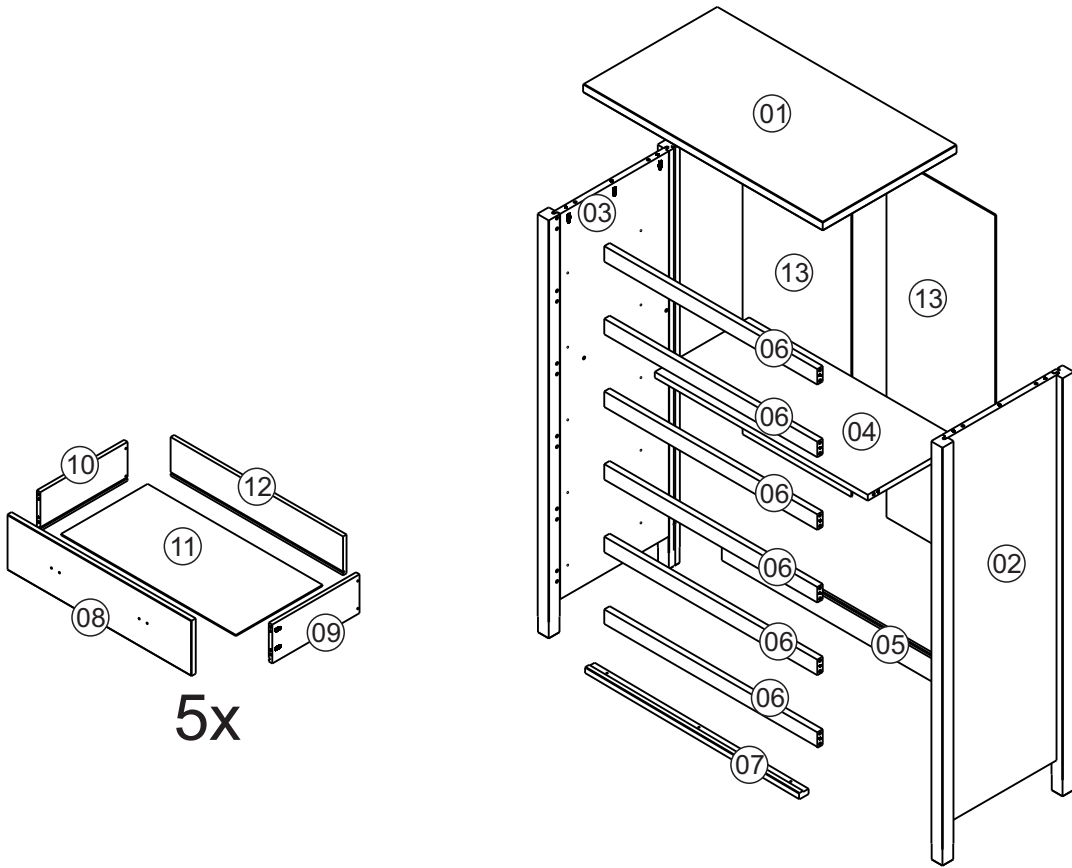


L - 6mm
Qty. 02



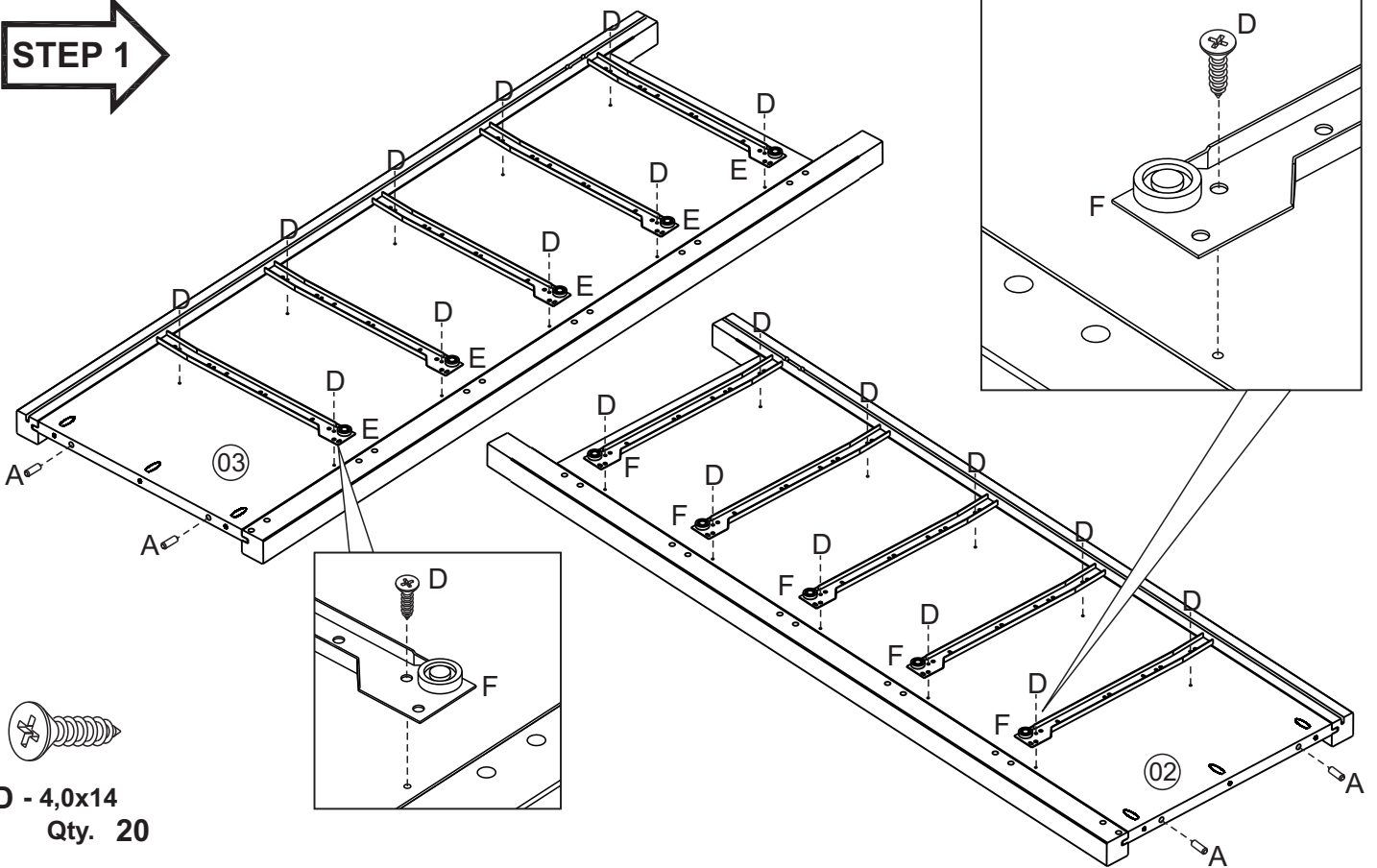
M - Drawer Knob
Qty. 10

PARTS INCLUDED



5x

STEP 1



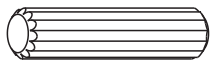
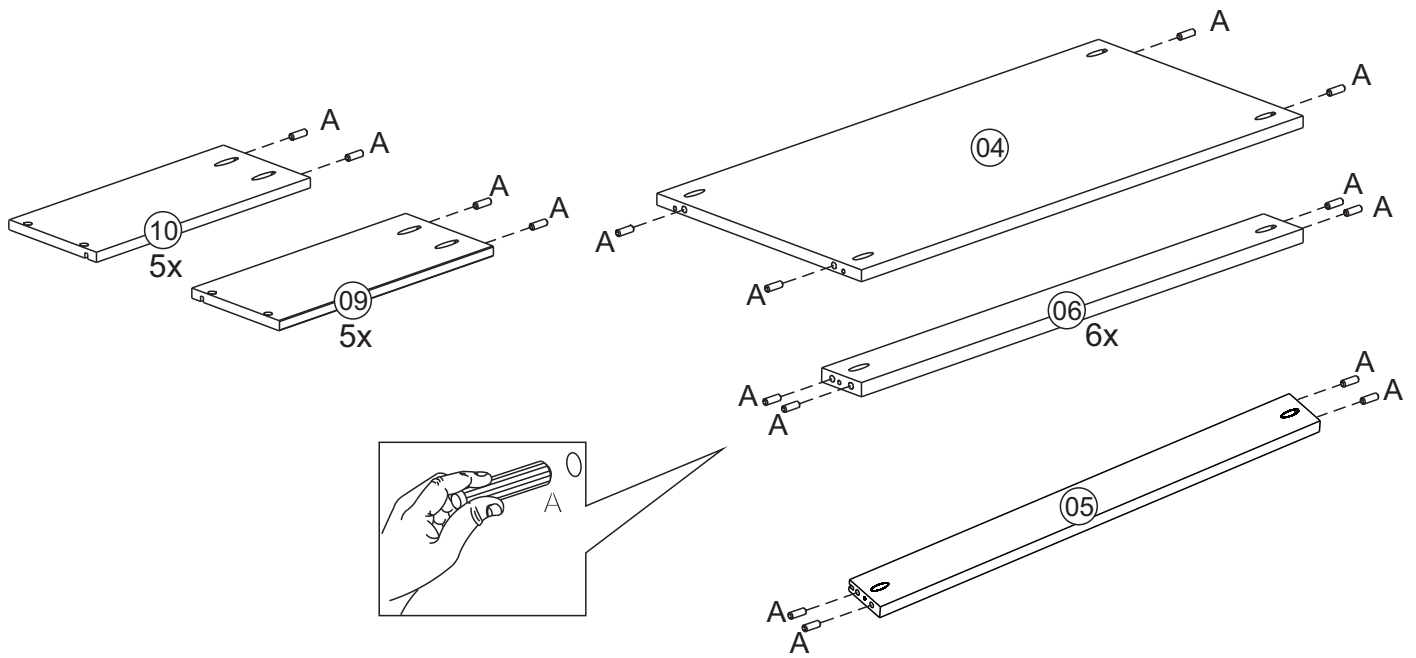
D - 4,0x14
Qty. 20

A - 8,0x30 Wood Dowel
Qty. 04

E - Slide Left 330mm
Qty. 05

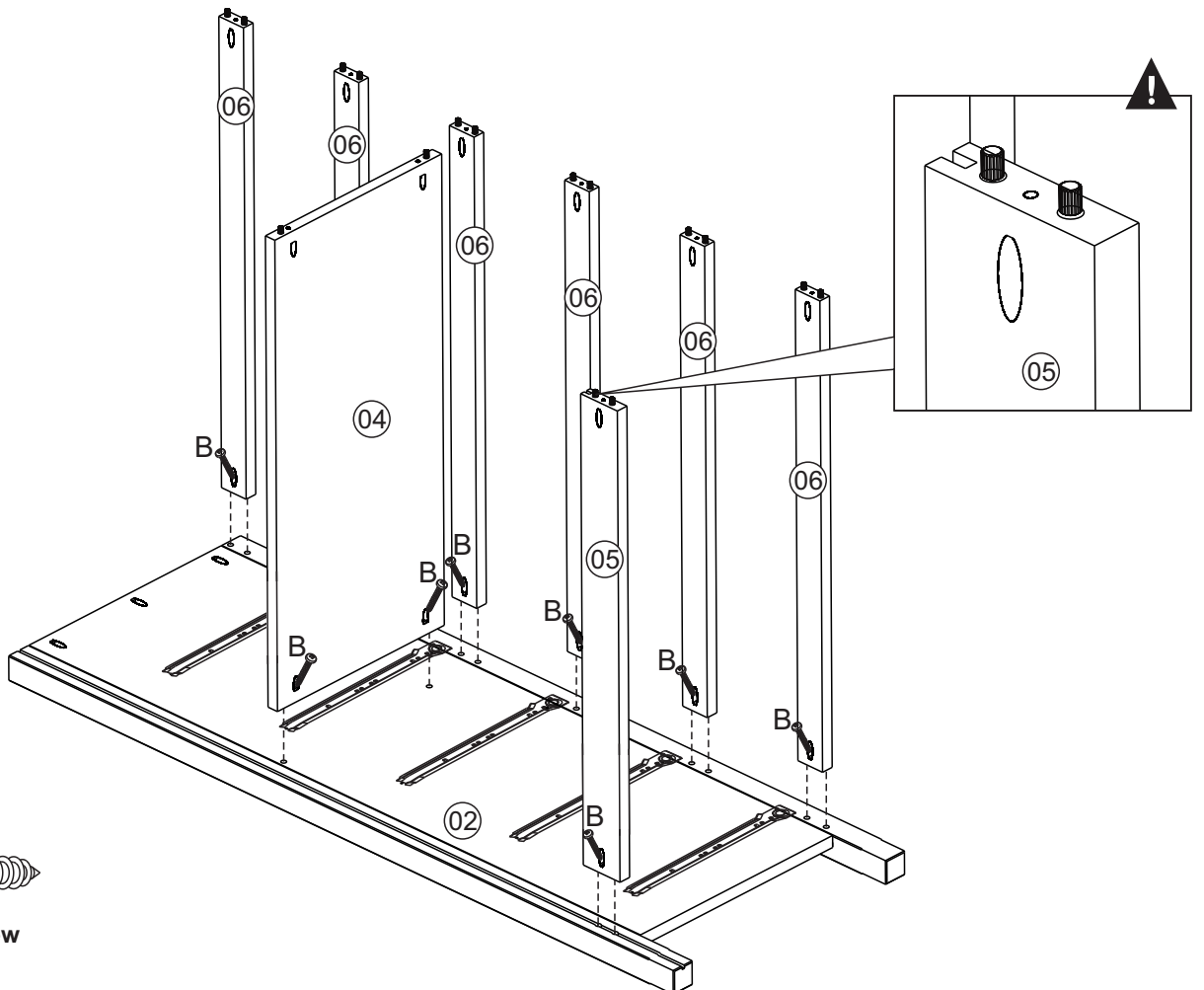
F - Slide Right 330mm
Qty. 05

STEP 2



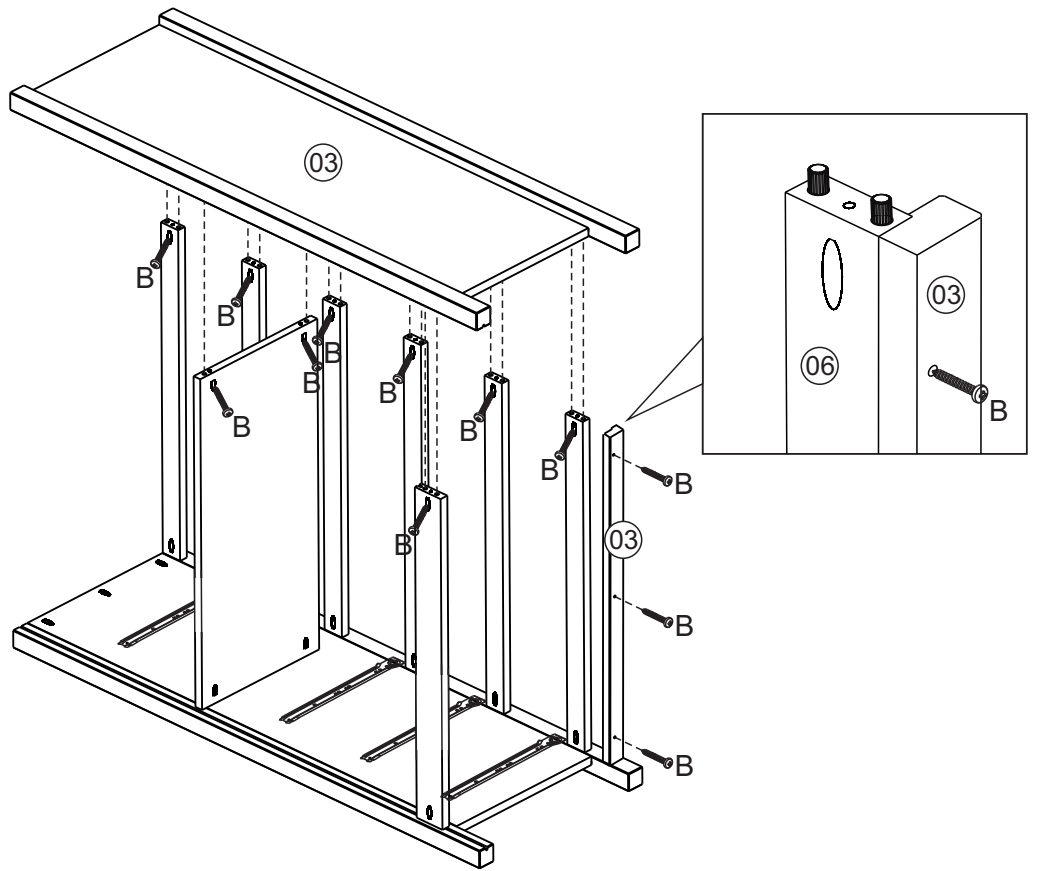
A - 8,0x30 Wood Dowel
Qty. 52

STEP 3



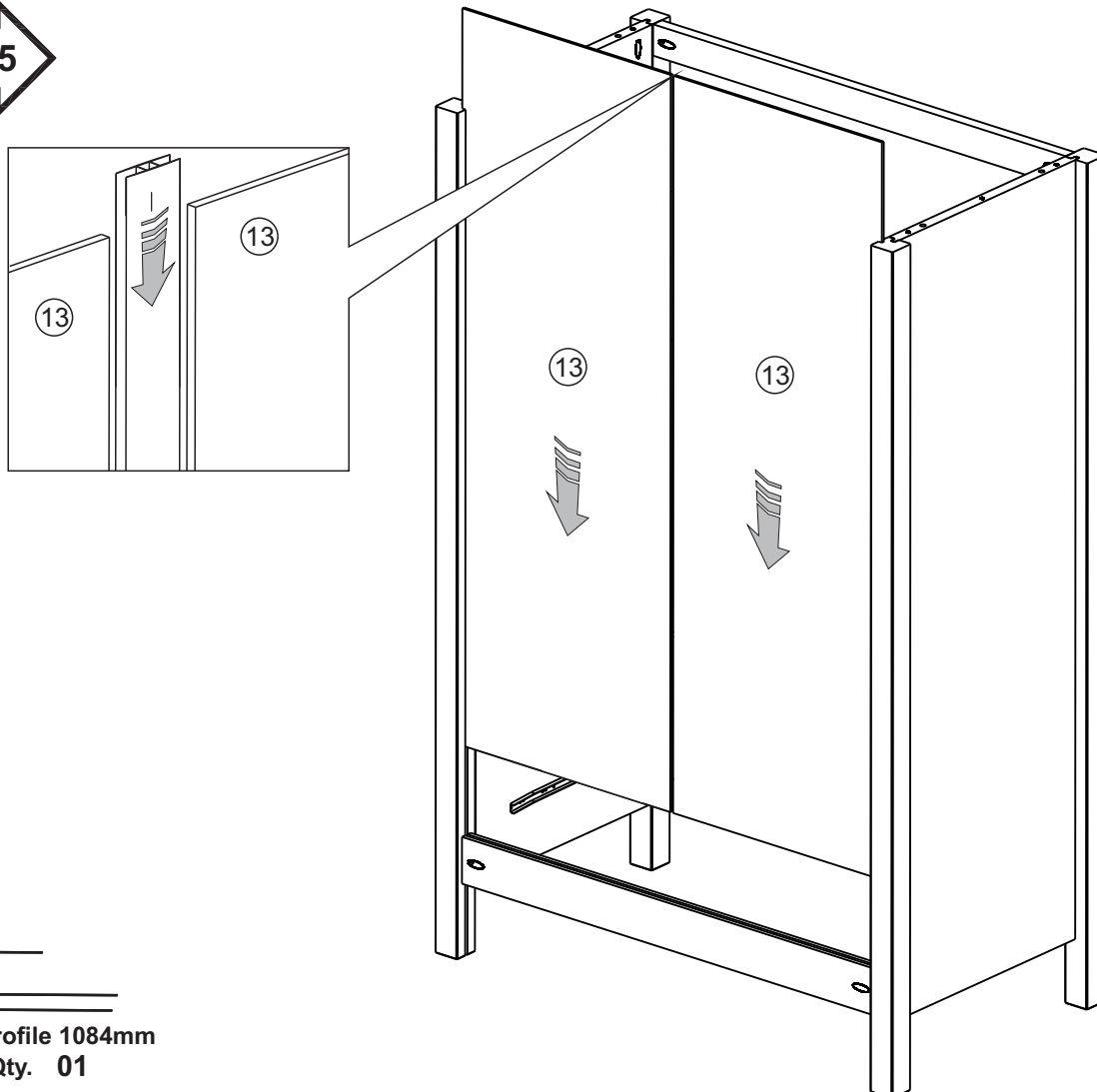
B - 4,0x30 Screw
Qty. 09

STEP 4



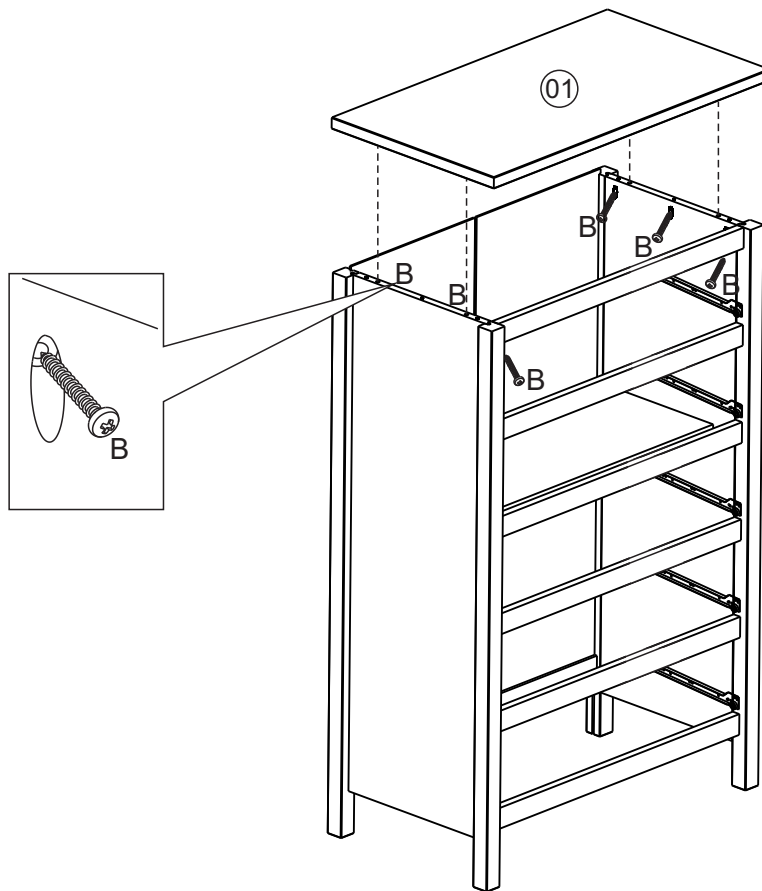
B - 4,0x30 Screw
Qty. 12

STEP 5



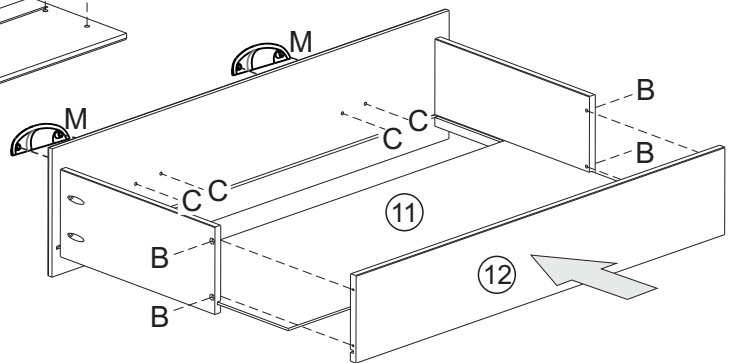
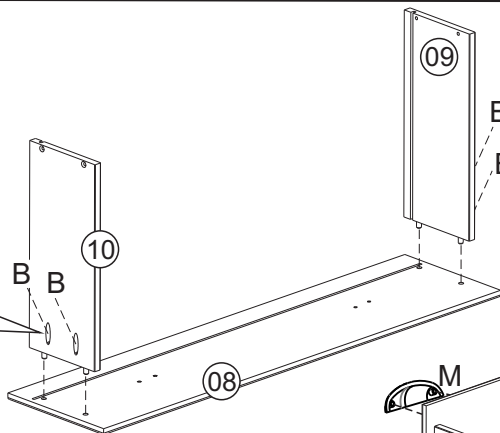
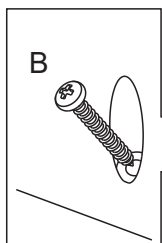
I - H Profile 1084mm
Qty. 01

STEP 6



B - 4,0x30 Screw
Qty. 06

STEP 7



B - 4,0x30 Screw
Qty. 40

5x



C - M4x22
Qty. 20



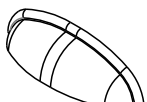
D - 4,0x14 Screw
Qty. 20



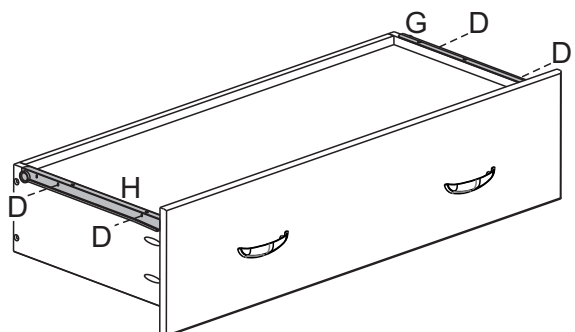
G - Slide Left 330mm
Qty. 05



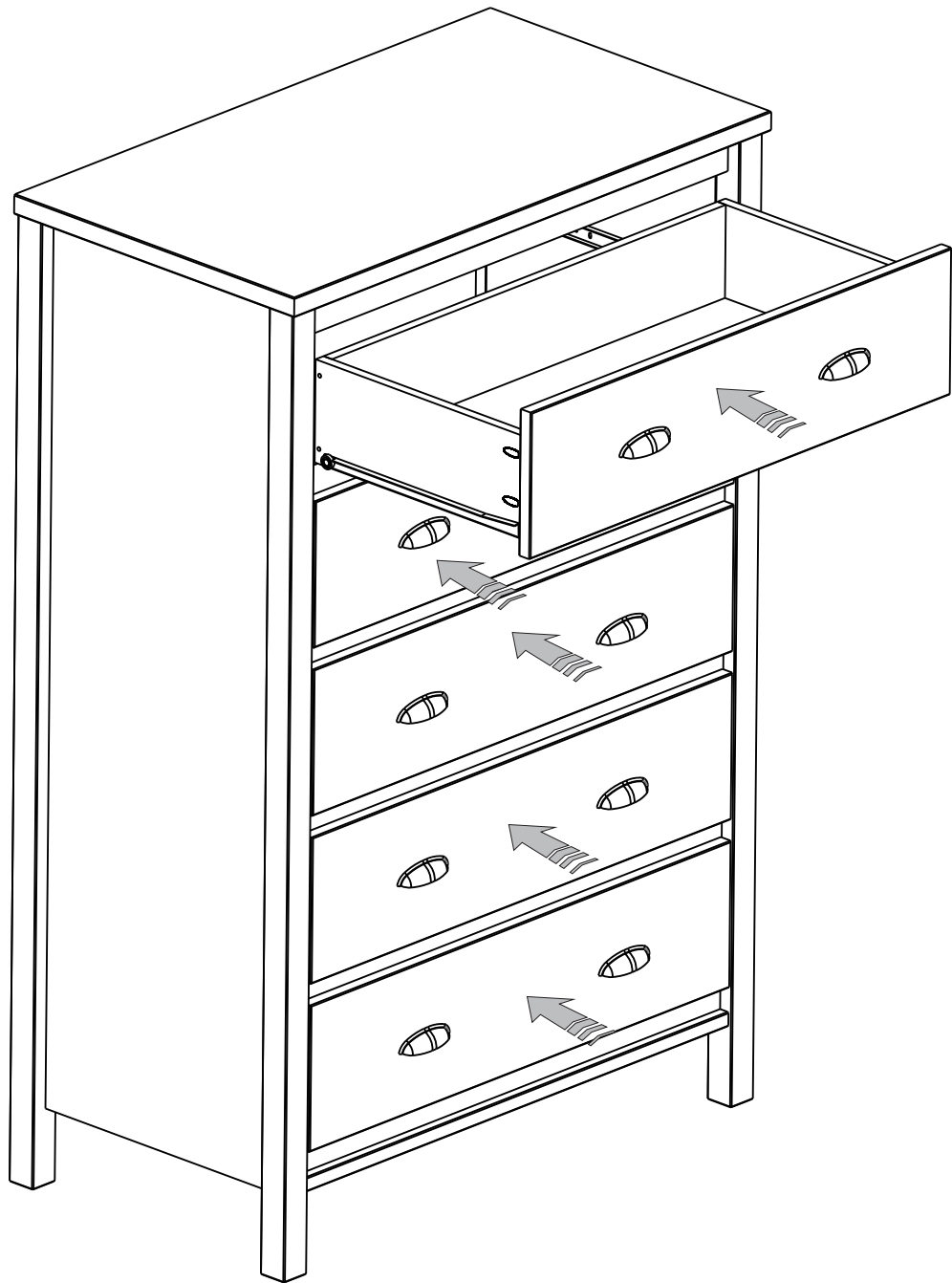
H - Slide Right 330mm
Qty. 05

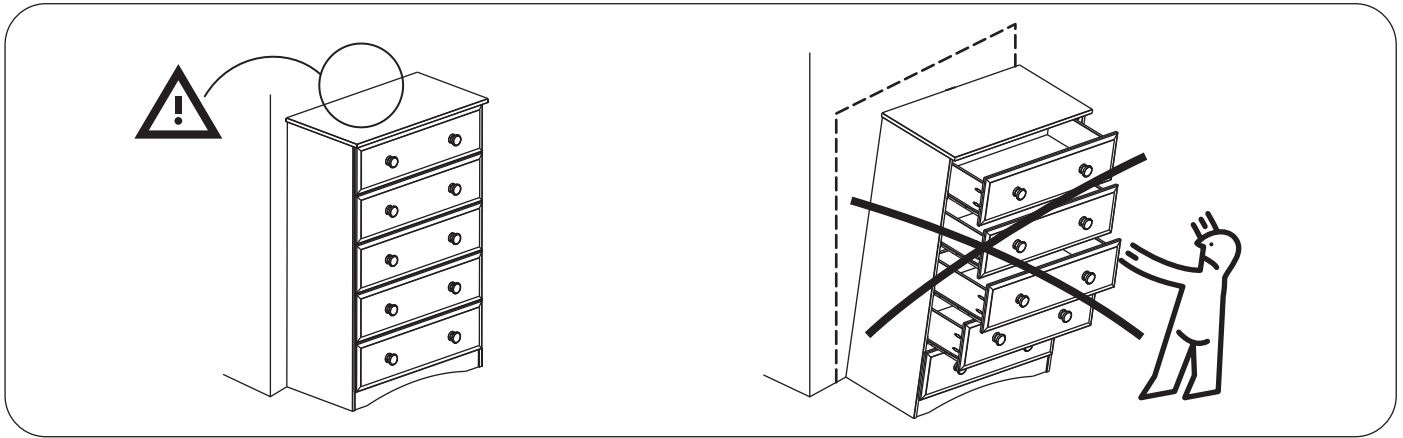


M - Drawer Knob
Qty. 10



STEP 8





Anti-Tip Kit

