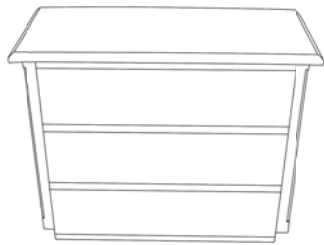


# Assembly instruction

Item NO.: 16146



## Parts :



A: 1 (pc)



B: 4 (PC)



C: 8 (pc)



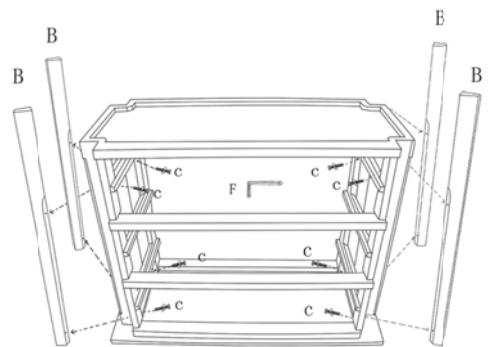
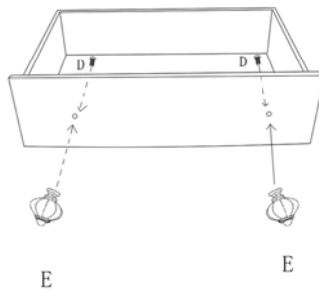
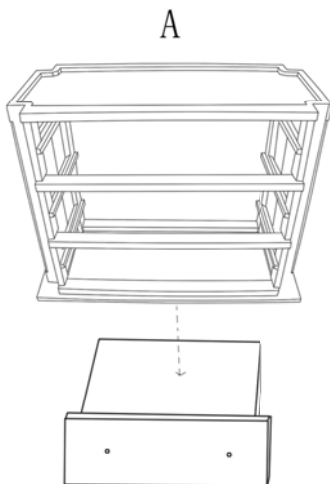
D: 6 (pc)



E: 6 (pc)



F: 1 (pc)



Please press down the drawer stopper and pull out the drawers before installation, and put the drawers back after finishing installation.