



### MAINTENANCE AND CARE INSTRUCTIONS

Olympia products are designed and engineered under strict quality standards. Regular and proper care of our products will ensure years of trouble free service. To clean, simply wipe with a damp, soft cloth. Do not use abrasive or harsh cleaners as they may result in finish damage. Regularly remove the aerator and clean any debris inside it.

### TROUBLE SHOOTING

A. If water leaks from the spout outlet:	1. Shut off both hot and cold water supplies.
	2. Remove handle (A1-A2), cap (B), cam & washer (C), and stainless steel ball (D).
	3. Check and replace springs and seats(H).
	4. Reassemble the stainless steel ball (D), cam & washer (C), cap (B), and handle (A1-A2).
	5. If seepage still occurs, replace the stainless steel ball (D).
B. If water leaks from under the handle:	1. Remove handle (A1-A2) and tighten adjusting ring (B) until water has stopped leaking.
	2. If leakage persists, see Trouble Shooting "A".
C. If water leaks from the base of the spout:	1. Shut off both hot and cold water supplies.
	2. Remove handle (A1-A2), cap (B), cam & washer (C), stainless steel ball (D) and spout (E).
	3. Replace O-Rings (F).
	4. Reassemble the spout (E) stainless steel ball (D), cam & washer (C), cap (B), and handle (A1-A2).
D. If faucet has low flow:	1. Remove aerator (3), clean all internal debris, and make sure the rubber washer is not damaged before tightening the aerator back.
	2. Repeat Trouble Shooting "A" and clean any debris trapped in the seats and springs (H).
E. If spray does not function properly:	1. Shut off both hot and cold water supplies.
	2. Remove spray head (N), clean debris, and reassemble.
	3. Remove handle (A1-A2), cap (B), cam & washer (C), spout (E).
	4. Clean diverter piston (J), replace if necessary.
	5. Reassemble spout (E), Cam & Washer (C), cap (B) and handle (A1-A2).

### OLYMPIA FAUCETS, INC. LIMITED LIFETIME WARRANTY \*

Olympia Faucets, Inc. warrants its products to the original consumer purchaser to be free from defects in material and workmanship as long as the consumer purchaser owns it. Dated proof of purchase must accompany all warranty claims. PVD finishes carry a lifetime warranty in residential service.

Olympia Faucets, Inc. will replace, free of charge, to the original consumer purchaser, any and all parts that prove defective under normal installation, use, and service. Damage as a result of misuse, abuse, accident, or improper installation, will consequentially void this warranty. Replacement parts can be obtained from your local dealer or directly from Olympia Faucets. Olympia Faucets, Inc. recommends using a certified plumber for all faucet installation and repair.

This warranty is limited to replacement of defective parts only. Incidental and consequential damages, labor charges, repair, or replacement costs are expressly excluded. Some states do not allow the exclusion or limitation of incidental or consequential damages, so the above limitation may not apply to you. This warranty gives you specific legal rights, as you may have other rights of which vary from state to state.

Installation or maintenance and cleaning must be in compliance with instructions furnished with every Olympia product. If you find a problem with your product, please immediately contact your nearest Olympia Faucets, Inc. dealer or sales representative.

\* 2 year limited warranty on commercial and multi-family projects.



## INSTALLATION AND MAINTENANCE INSTRUCTIONS FOR OLYMPIA SINGLE HANDLE KITCHEN FAUCETS

THIS PRODUCT MEETS THE FOLLOWING STANDARDS: ASME A112.18.1 ~ ANSI A117.1 ~ ANSI / NSF 61, SECTION 9 ~ UPC / IAPMO LISTED / ADA COMPLIANT ~ COMPLIES WITH CALIFORNIA LEAD PLUMBING LAW

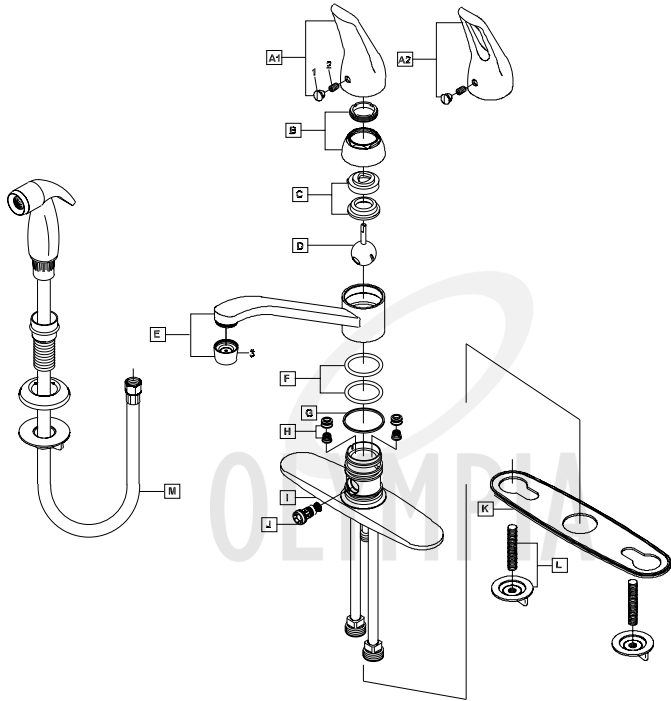
### PRODUCT NUMBERS

- #K-4160** Metal Lever Handle ~ Less Side Spray
- #K-4161** Metal Lever Handle ~ With Side Spray
- #K-4163** Metal Lever Handle ~ With Spray on Deck
- #K-4170** Metal Loop Handle ~ Less Side Spray
- #K-4171** Metal Loop Handle ~ With Side Spray





Thank you for purchasing this quality product. Olympia products are rigorously tested to provide long service under normal conditions. Prior to installation, familiarize yourself with this parts diagram. Make sure that you have all of the illustrated parts for your Olympia product before installation.



# INSTALLATION INSTRUCTIONS

## Tools you will need:

- Plumbers Putty
- Screwdriver
- Pipe Wrench
- Basin Wrench
- Teflon Tape
- Flexible Supply Lines
- Adjustable Wrench
- Soft Cloth

## FAUCET INSTALLATION:

1. Carefully shut off both hot and cold water supplies from under the sink. Plug the sink drain with a soft cloth to prevent intrusion of debris or the loss of any faucet parts. If this installation is for a replacement, carefully remove the existing faucet and clean the entire surface of the sink mounting holes.
2. Attach base gasket (K) to the bottom of deck plate (I).
3. Gently align the faucet with the sink mounting holes and place the faucet on the sink. Use caution to lead both copper tubing waterways through the sink mounting holes. CAUTION: Do not bend the copper tubing waterways as they may result in leakage from the faucet.
4. Thread the Mounting Bolts to the Deck Plate (I) from underneath of the faucet. Do not Overtighten. Carefully Hand Tighten the mounting nuts.
5. Connect both hot (LEFT INLET) and cold (RIGHT INLET) waterways (H). NOTE: If additional adapters or supply lines are required, they may be purchased from the same location where this faucet was purchased. Use with Teflon tape when attaching supply lines to waterways.

## SPRAY ASSEMBLY INSTALLATION:

1. Place spray hose guide in far right hole of sink and then attach both the washer and locknut from underneath the sink.
2. Insert the compression nut end of spray hose down through the hose guide. Pass hose through the center hole in base gasket and attach to the center faucet outlet, hand tightening securely. Note: Use pipe compound or Teflon® Tape on this connection.

## FINAL PRODUCT INSTALLATION:

1. Turn on the hot and cold water. Check all around for any minor joint leaks. NOTE: Inspect for any leaks around the connections to both the supply lines and the spray hose assembly.
2. Remove aerator (3) from end of spout. Flush both water lines by allowing water to run through for one minute. Replace aerator (3).

**CAUTION: MAKE SURE TO TIGHTEN THE AERATOR SECURELY AFTER FLUSHING THE WATER LINES.**

ITEM #	DESCRIPTION	ITEM #	DESCRIPTION
N	OP-420052 Side Spray Assembly (For K-4163)	A1	OP-190001 Metal Lever Handle
1	OP-490002 Hot & Cold Indicator	A2	OP-190002 Metal Loop Handle
2	OP-490043 Allen Screw	B	OP-490003 Cap & Adjusting Ring
3	OP-490035 1.5 GPM Aerator	C	OP-490004 Cam and Washer
		D	OP-390001 Stainless Steel Ball
		E	OP-220001 'D' Style Spout
		F	OP-420001 O-Ring
		G	OP-420002 Gasket
		H	OP-490041 Springs and Seats
		I	OP-420003 Deck Plate
		J	OP-420005 Diverter Piston (For K-4161, K-4171, K-4163)
		K	OP-420004 Base Gasket
		L	OP-520003 Mounting Bolt & Nut
		M	OP-590001 Supply Nut
		N	OP-420051 Side Spray Assembly (For K-4161, K-4171)



For more care information or trouble shooting inquiries about your Olympia product, please call:  
**OLYMPIA FAUCETS, INC.** (888) 772-7701  
 Central Standard Time: 8:00am ~ 7:00pm  
[www.olympiafaucets.com](http://www.olympiafaucets.com)