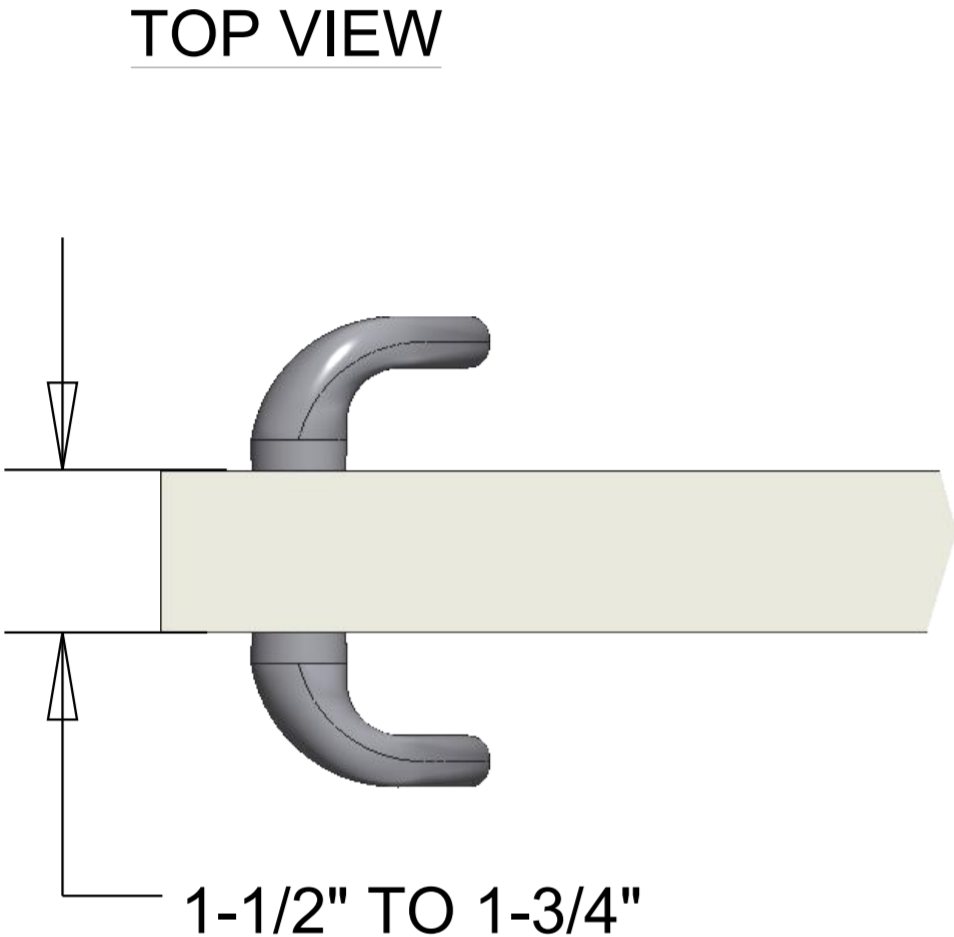


PRIVACY (NON-KEYED) SLIDING DOOR HANDLES WITH 3-15/16" DISTANCE BETWEEN SCREW HOLES

3 HOLE FACE BORE ON DOOR

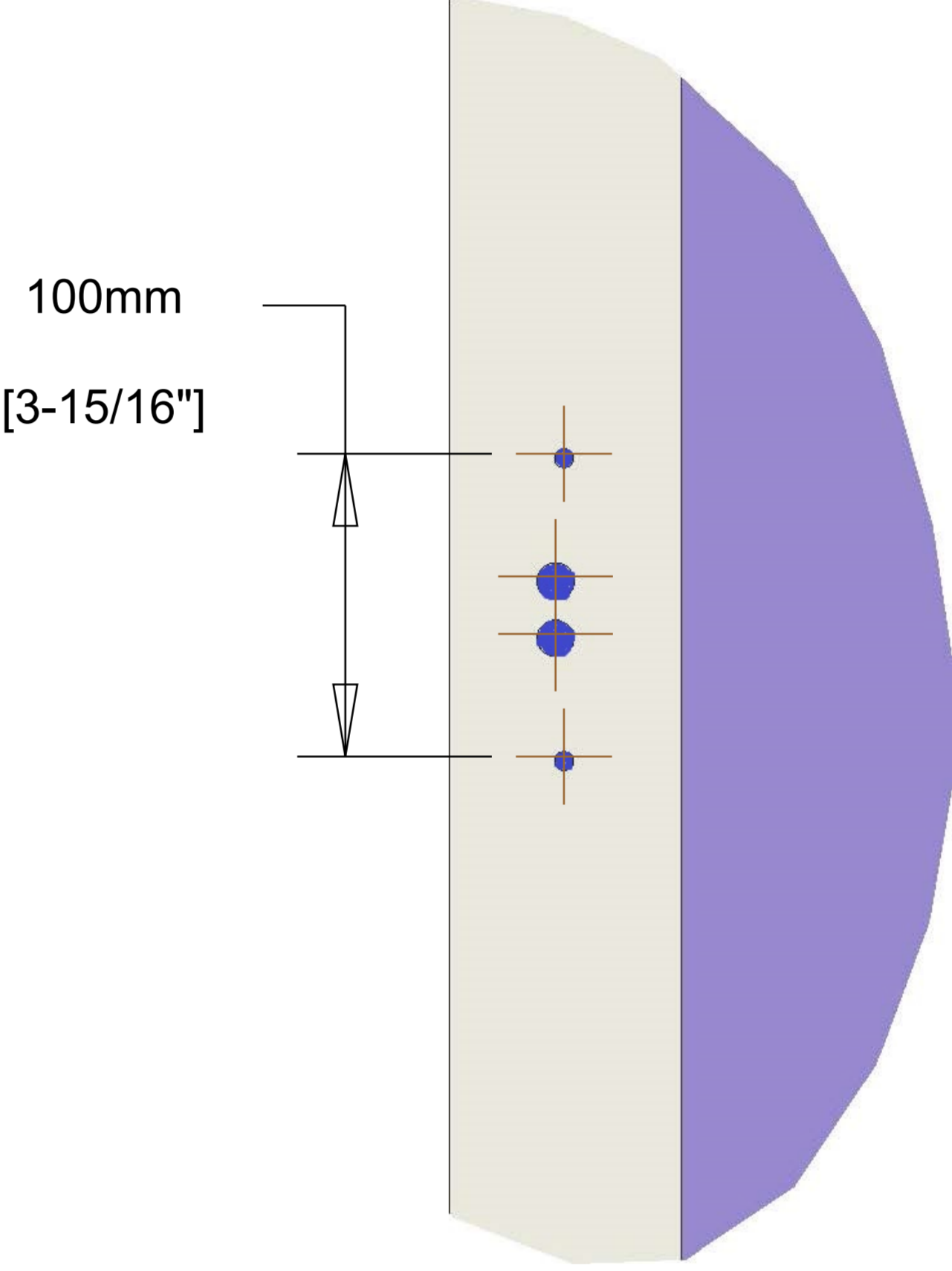
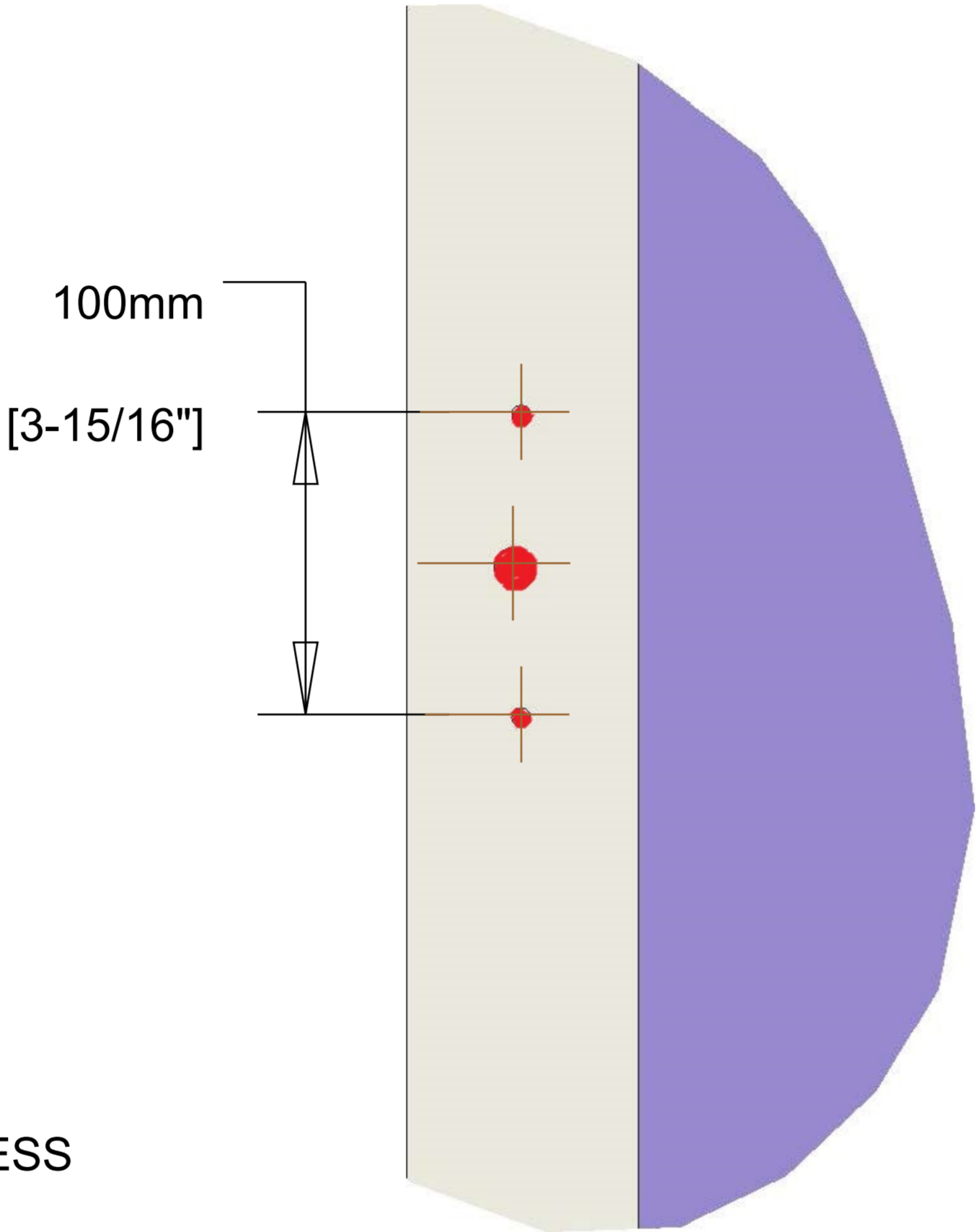
4 HOLE FACE BORE ON DOOR



DOOR THICKNESS

MEASURE DOOR THICKNESS

FITS 1-1/2" TO 1-3/4" THICK DOORS



FITS 3 OR 4 HOLE BORE ON THE FACE OF THE DOOR WITH 3-15/16" DISTANCE BETWEEN THE SCREWHOLES