



Assembly Intruccion

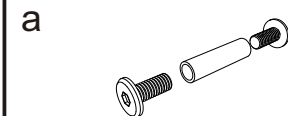
INTRUCCION DE MONTAGE
MONTAGEANLEITUNG
SAMLEVEJLEDNING

NEED ASSEMBLY ASSISTANCE? CALL US AT 866-814-8325

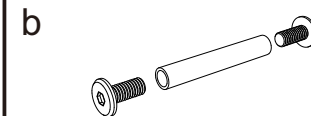
Code

SST19

Hardware



BOLT 1,3' (4 pcs)



BOLT 2,16' (4 pcs)

Tool

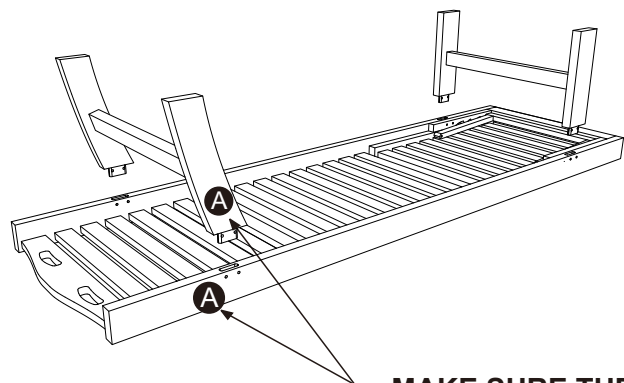


Socket Wrench 4mm

Total Section

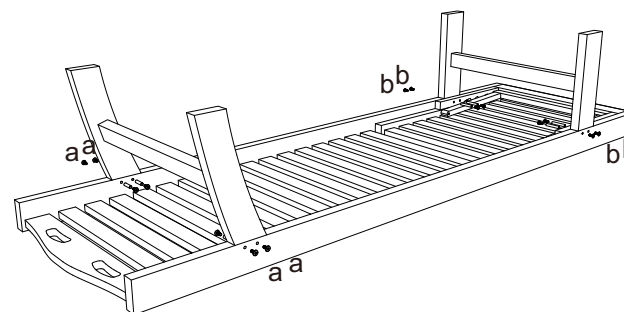
3 Section

1

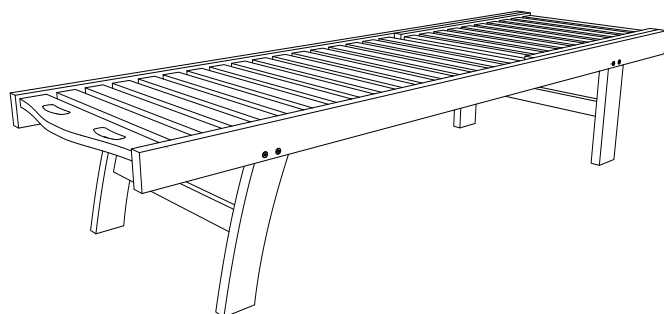


MAKE SURE THE LETTERS
MATCH BEFORE ASSEMBLING

2



3



4



Make sure to use Gorilla Glue (Included)
on all wood joints before assembly