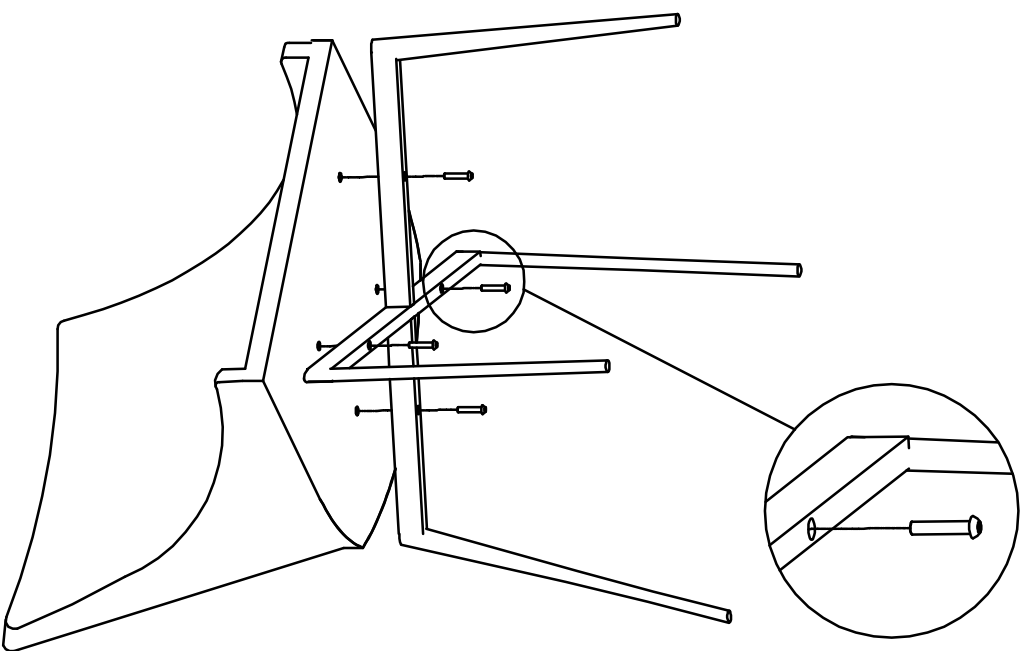
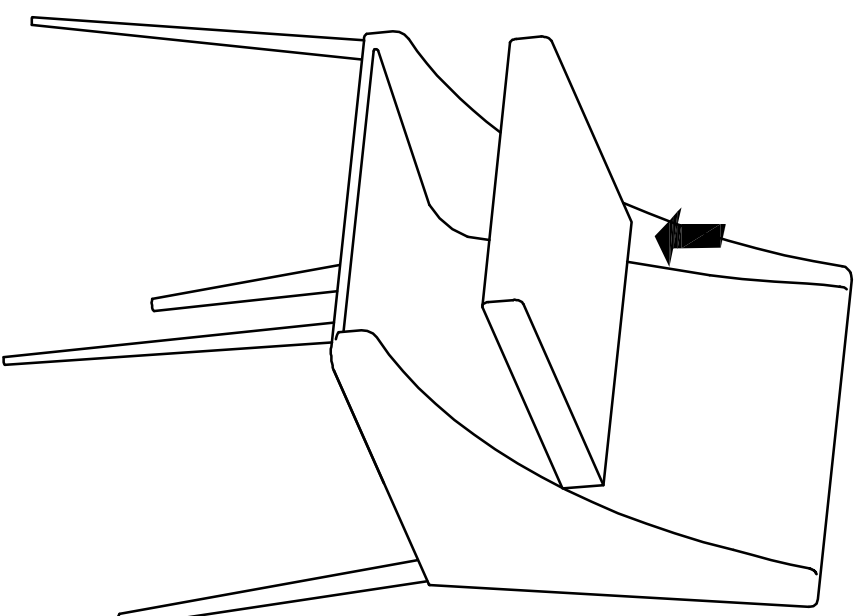


ASSEMBLY INSTRUCTION





Step 1



Step 2

FITTING PARTS LIST

A	B
	
1 PC	4 PCS