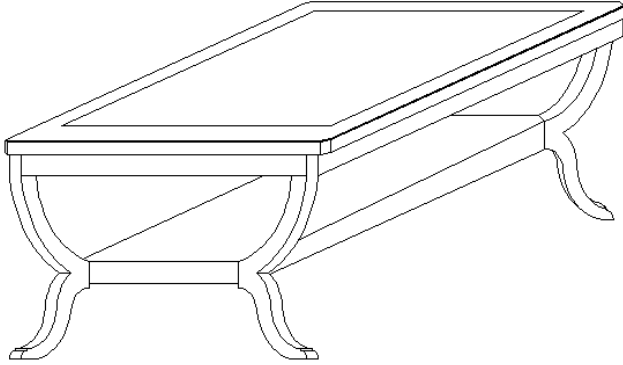




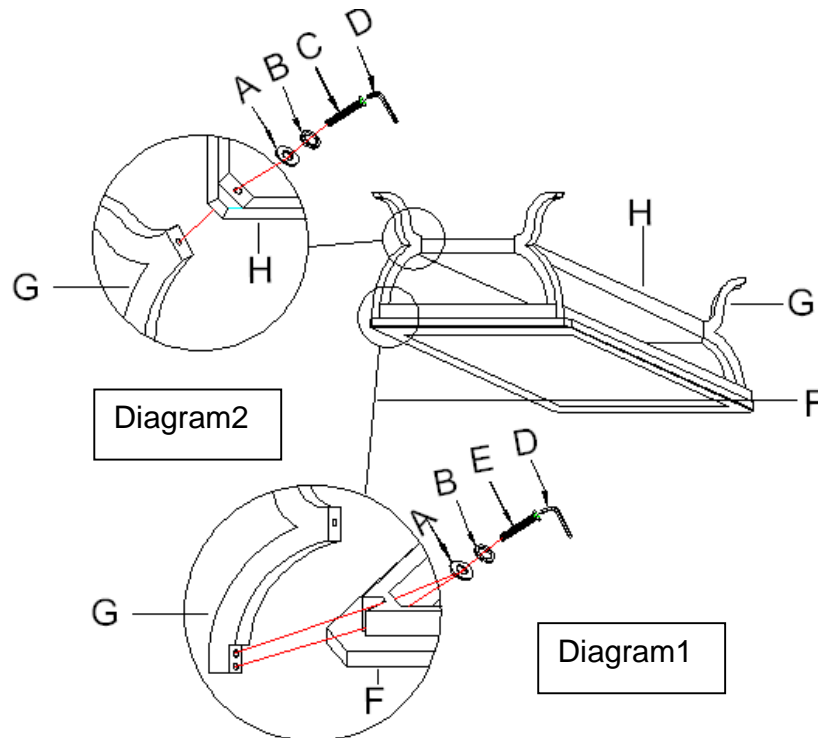
ASSEMBLY INSTRUCTION

Item#: 3014-80110 Mirrored Top Cocktail Table-Visage

**** Please make sure you have all parts indicated below prior to assembly.**



NO	HARDWARE LIST		Q'TY
A		FLAT WASHER	12
B		LOCK WASHER	12
C		60mm BOLT	4
D		ALLEN WRENCH	1
E		45mm BOLT	8



Assembly steps:

1. Place table top upside down on a soft surface to prevent from scratching top.
2. Attach the legs(G) to the top(F) using bolts (E), lock washers (B), flat washers (A), secure all bolts with allen wrench (D) in a clockwise direction (see Diagram 1).
3. Attach the shelf(H) to the legs(G) using bolts (C), lock washers (B), flat washers (A), secure all bolts with allen wrench (D) in a clockwise direction (see Diagram 2).
4. Turn the table upright.

Cleaning Instruction: Clean finished parts with a damp cloth using a mild dishwashing liquid and water solution. Polish the finish with soft cloth and an industry recognized furniture polish.