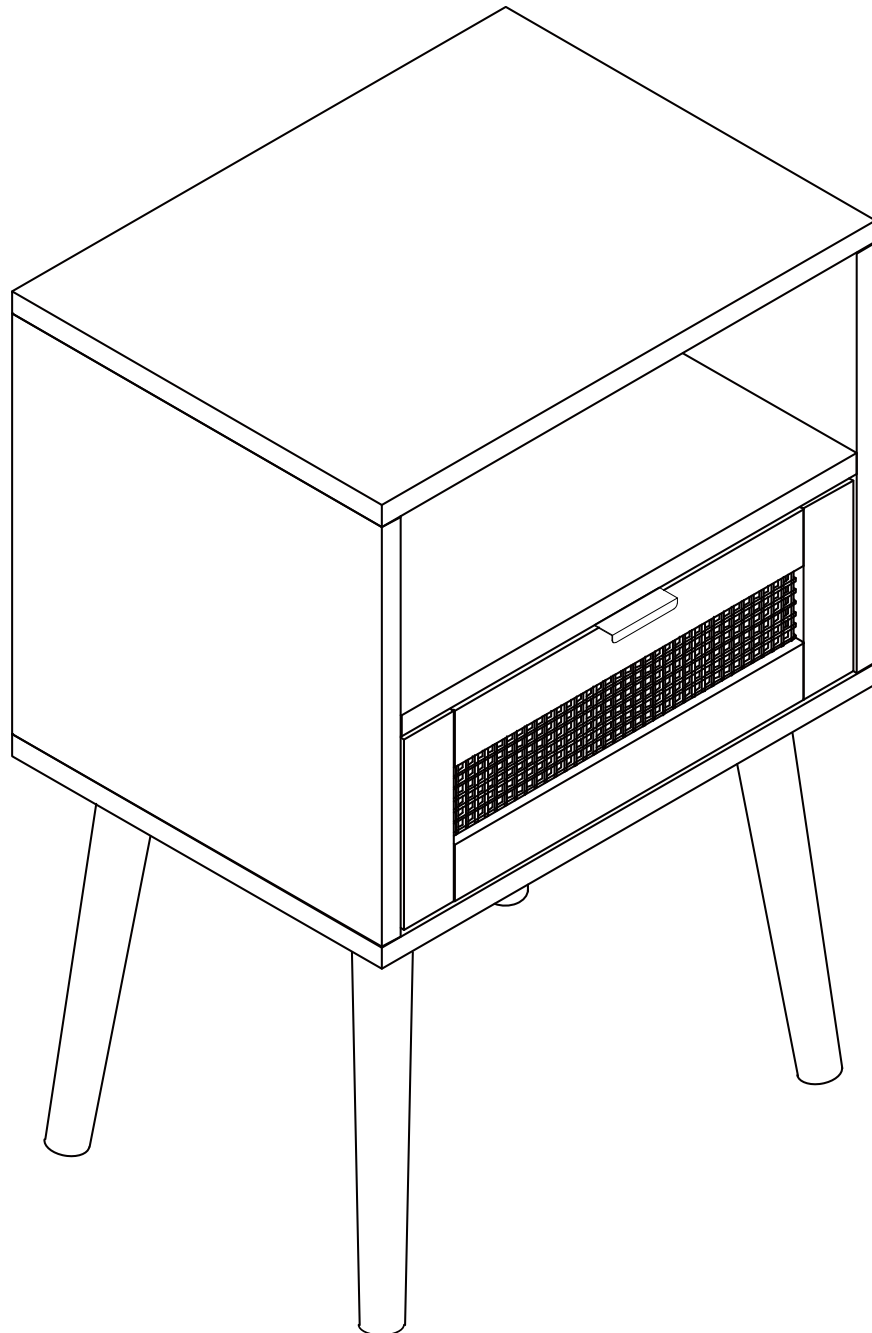
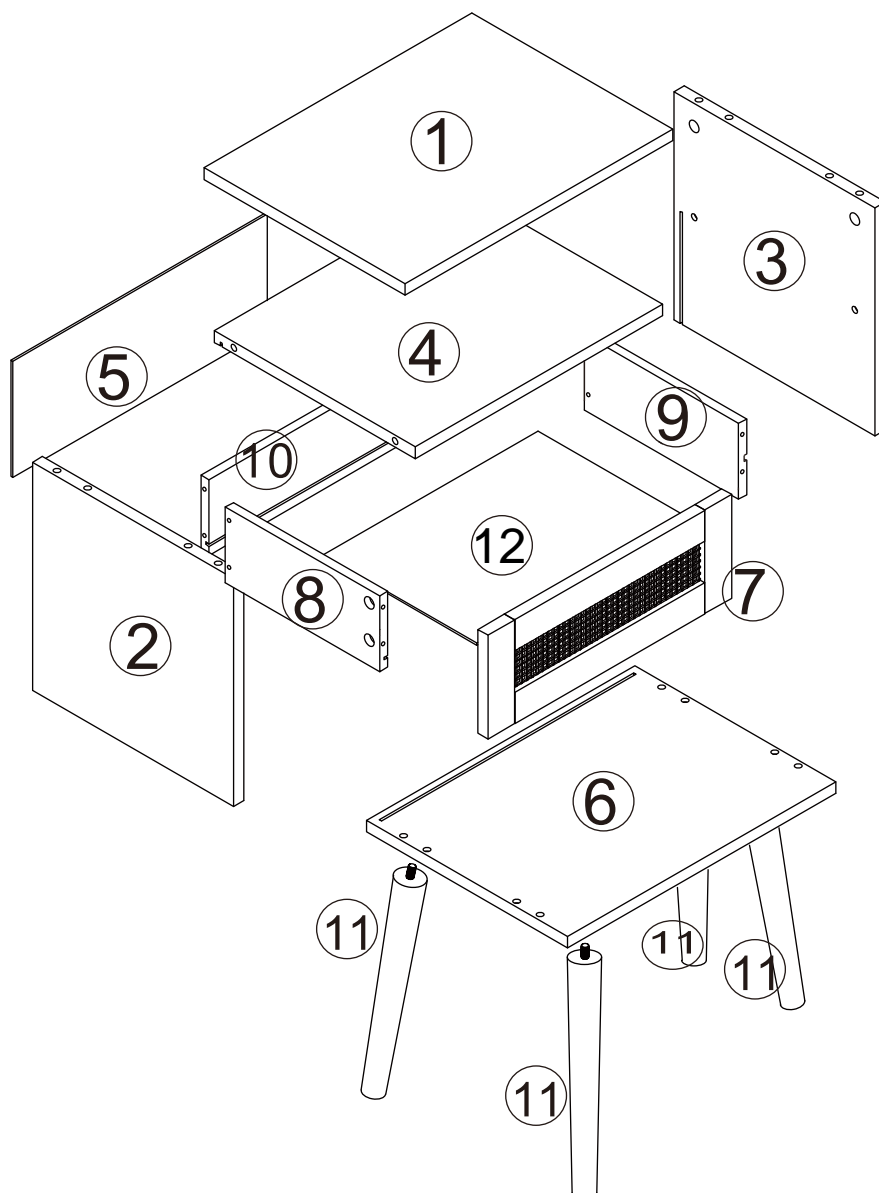







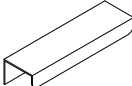
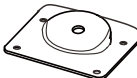


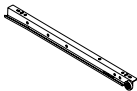



WI13145

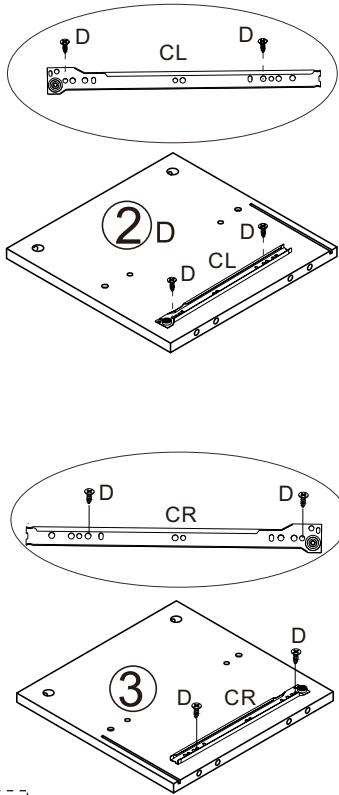




				
Ax12	Bx12	Cx12	Dx8	Ex16
				
Fx8	Gx2	Hx1	Ix4	CLx1
				
CRx1	DLx1	DRx1		

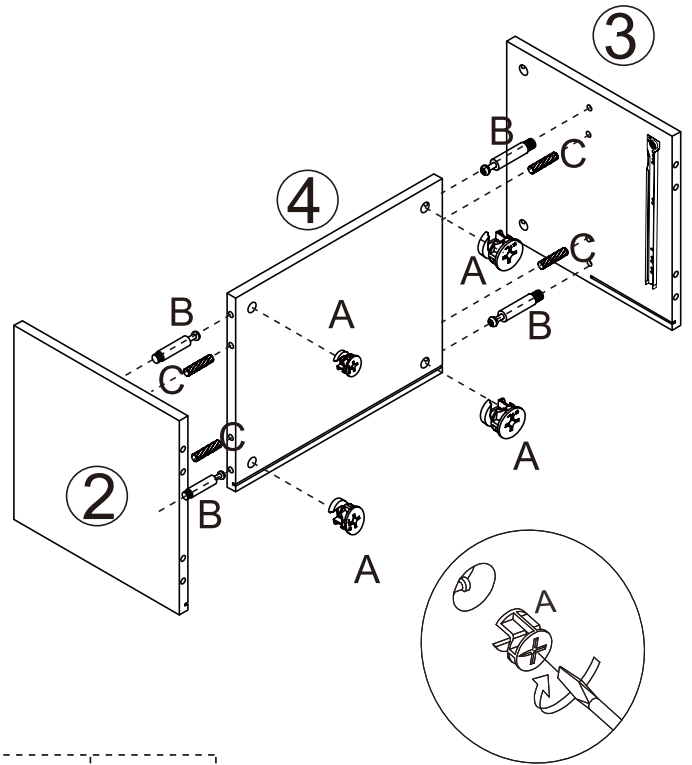
1

Stretch Hardware CL and fix it to Part 2 with D
Stretch Hardware CR and fix it to Part 3 with D



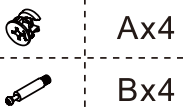
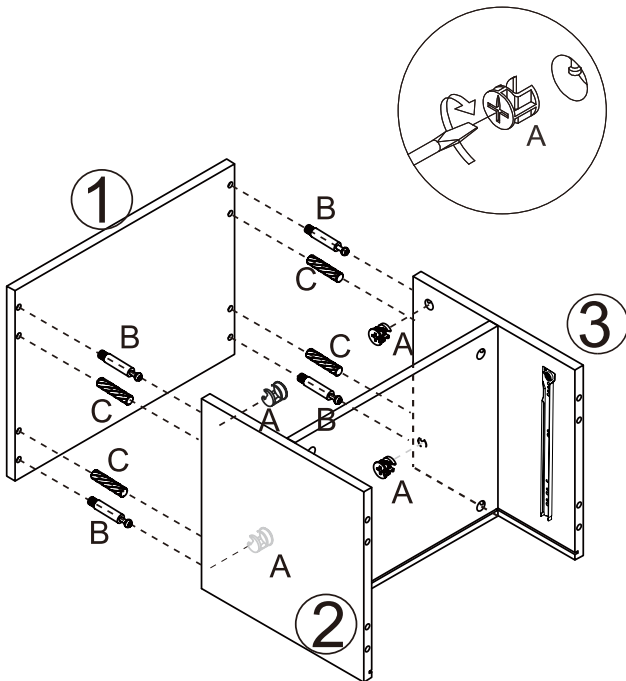
2

Connect Part 4 to 2&3 with Hardware C&B and lock them with A
(Screw A clockwise with screw driver)



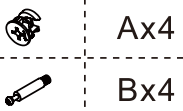
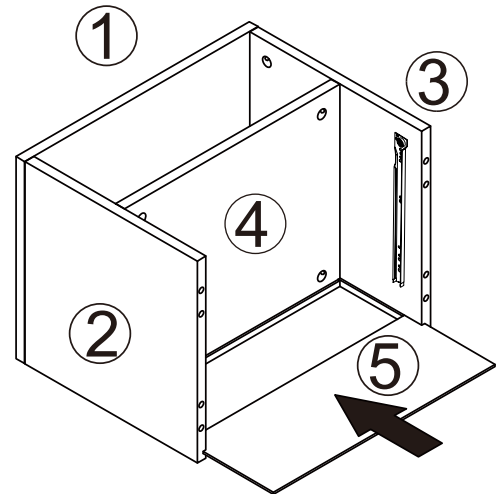
3

Connect Part 1 to 2&3 with Hardware C&B and lock them with A
(Screw A clockwise with screw driver)



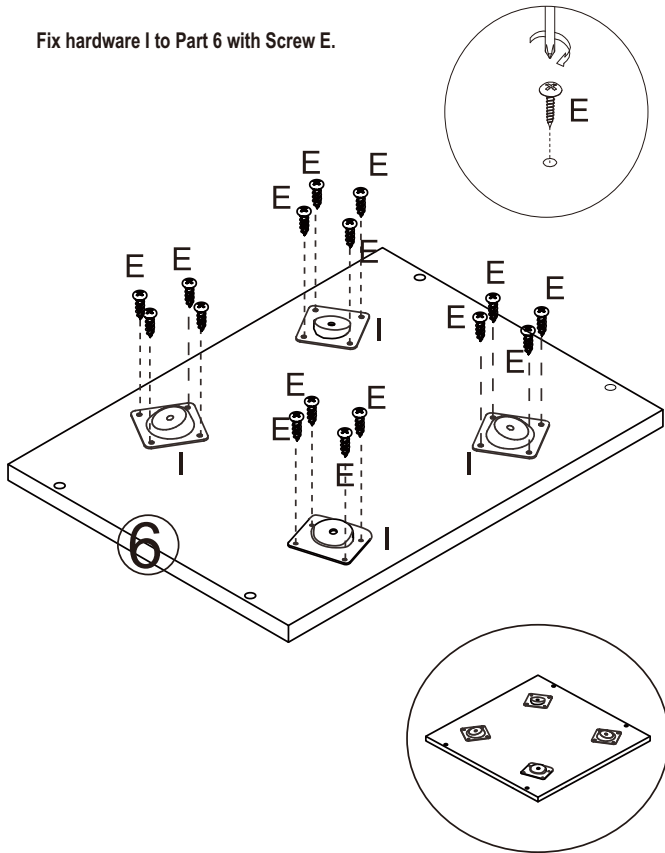
4



Insert Part 5 along the slots of 2&3 into 4



5

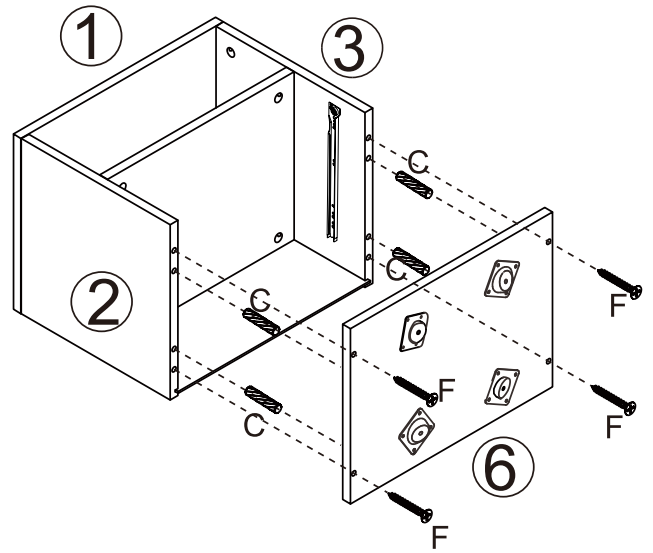
Fix hardware I to Part 6 with Screw E.



	Ex16
	Ix4

6

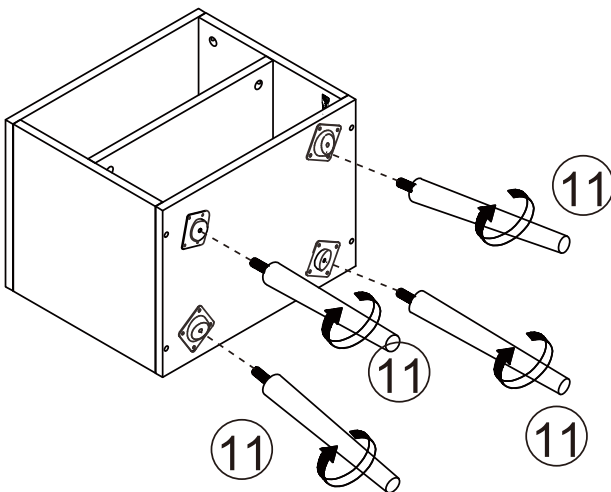
Lock Part 6 to 2&3 with Hardware C&F (C first)



	Cx4
	Fx4

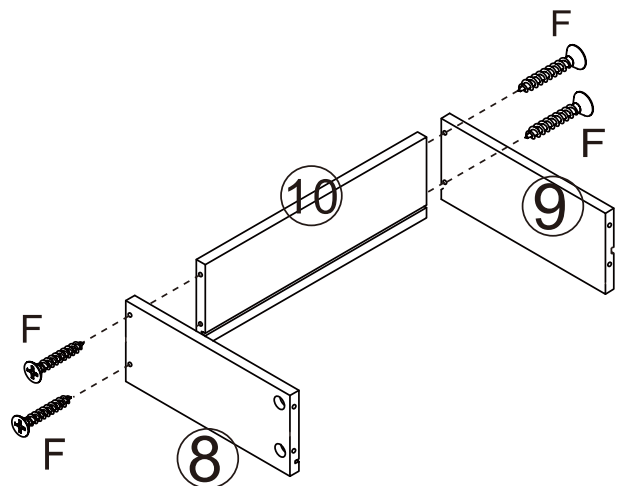
7

Install Part 11 to Hardware I



8

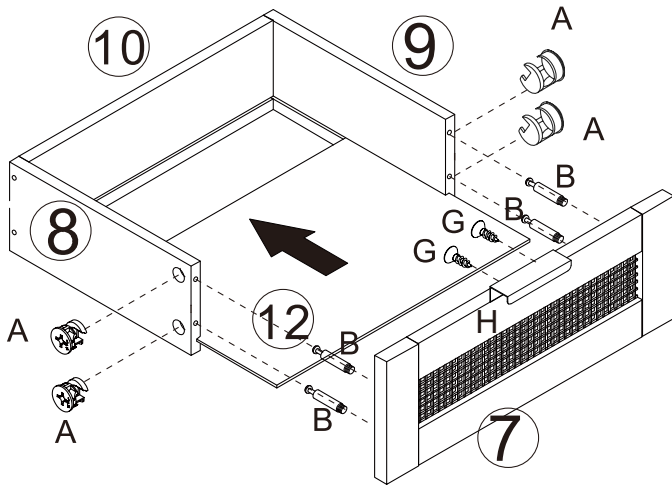
Connect Part 8/9 to Part 10 with hardware F.



	Fx4
---	-----

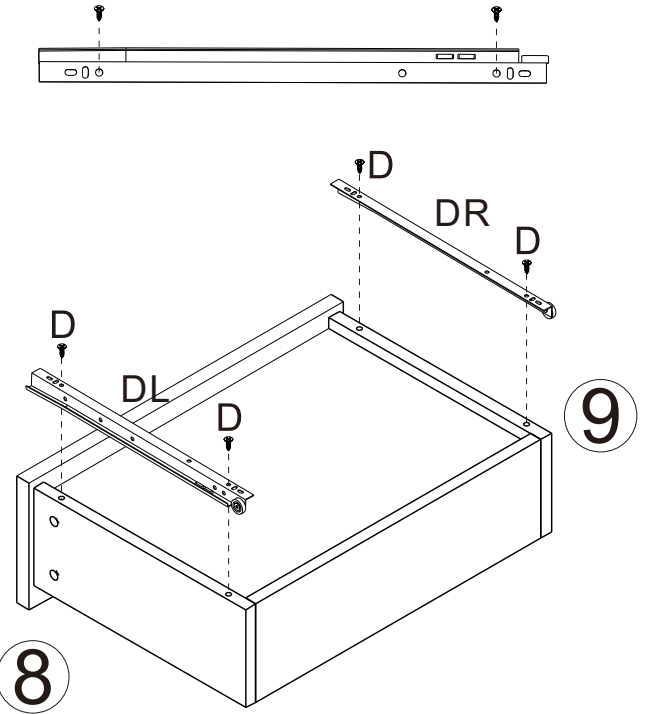
9

Insert Part 12 along the slots of 8&9 into 10
 Fix Hardware B to Part 7 and install H on it with G
 Lock Part 7 to 8&9 with Hardware A



10

Turn the drawer upside down, fix Hardware DL to Part 8
 and fix Hardware DR to Part 9 with D



	Ax4		Gx2
	Bx4		Hx1

	Dx4		
	DLx1		DRx1

11

Put the drawer into the frame

