



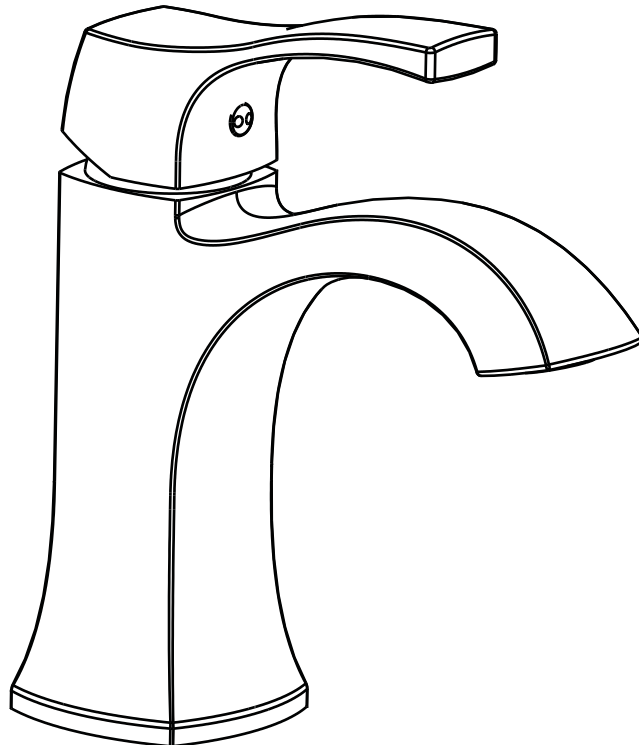
# Morgan



Single Handle Pull-out Bathroom Faucet

### STANDARDS

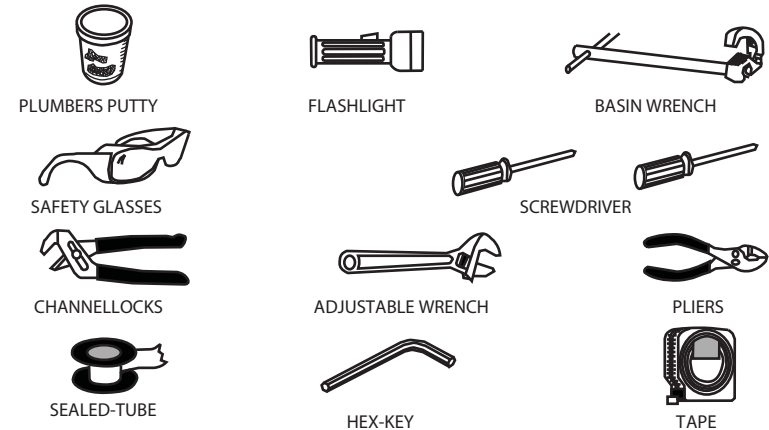
- ASME A112.18.1/CSA B125.1
- ASME A112.18.2/CSA B125.2
- LISTED IAPMO/cUPC
  
- 1.2 gpm/4.5 L/min



## Helpful Information

### Tools:

Gather the necessary tools as shown below to complete the installation of this faucet. Some may not be needed depending on the model of faucet you are installing. Check with your local hardware store on the requirements of your installation situation.

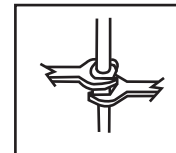


**!** WARNING:  
Please keep the tools for future use!

### Attention:

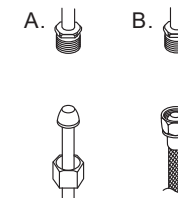
- For easy installation, you will need:
- To read all the installation instructions completely before beginning.
  - To read all the warning, attention and maintenance information.
  - To purchase the proper supply lines.

### Important

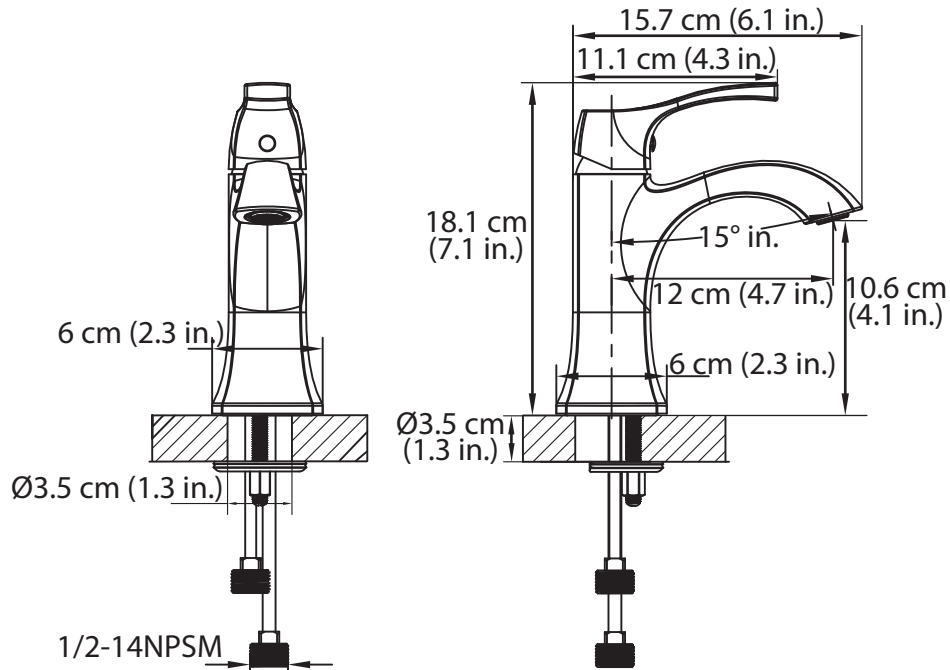


Tighten connection with two wrench to prevent damage to tube body. Be careful not to bend the stem as this will void the product warranty.

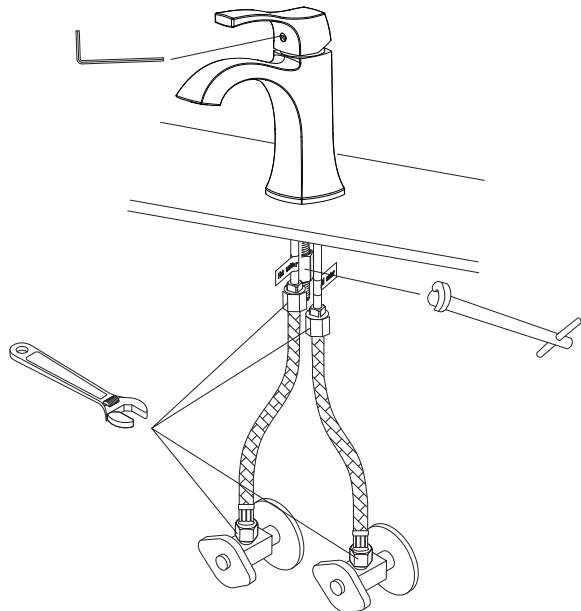
Connect to water supply lines with either:  
(A) 3/8" O.D.copper tubing (ball nose risers with the coupling nuts or;  
(B) IPS faucet connectors (1/2").



## Installation size map

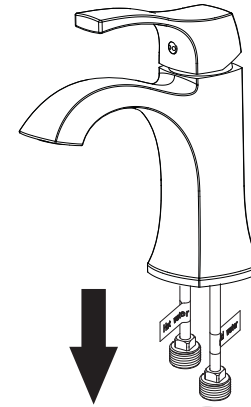


Tools might be applied to the following places:



## Faucet Installation

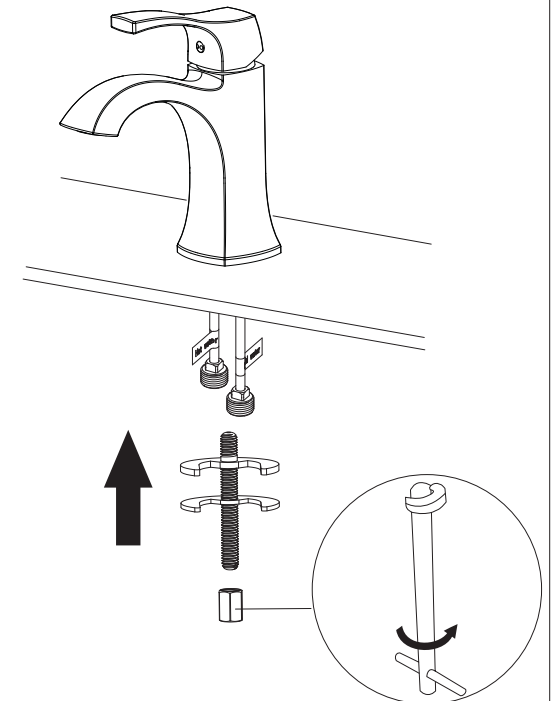
①



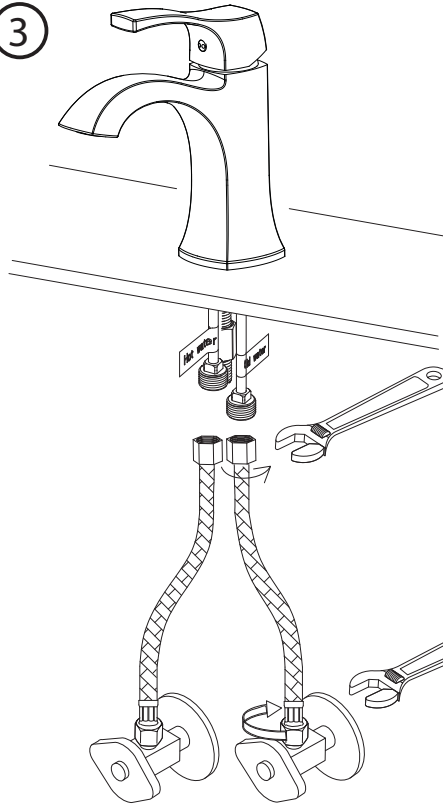
Position the faucet, o-ring on the installation surface.

②

Adjust the position of the faucet and secure it with the fixing kit as shown.



3



Connect the flexible hoses to water supply valves (not included) and copper tubes, and tighten it with adjustable wrench. **DON'T OVER TIGHTEN!**

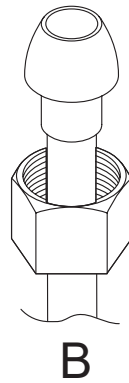
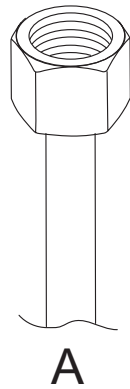
Caution: make sure the hot and cold flexible hoses are connected to supply valves correctly.



Warning: The supply valves are not included, please purchase them at your local hardware store.

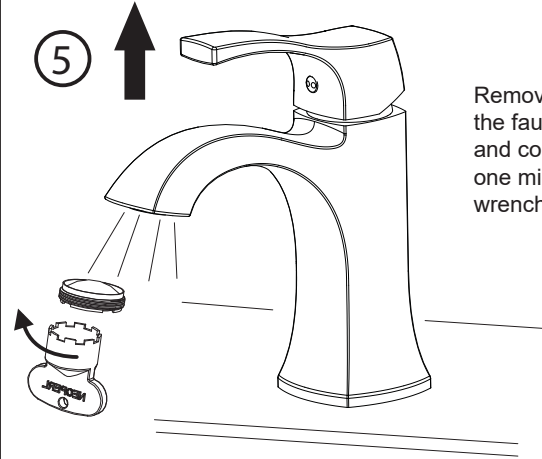
4

You can use 1/2" IPS faucet connections **A**, or use the coupling nuts with 3/8" O.D. ball-nose risers **B**.



## Checking and Testing

5



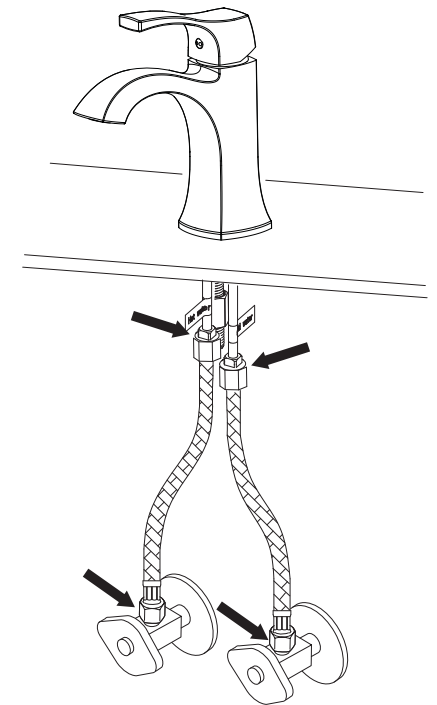
Remove the aerator by aerator wrench. Turn the faucet handle all the way on, turn on hot and cold water supply and flush water lines for one minute. Reinstall aerator by aerator wrench.

6

Check all connections at arrows for leaks, retighten if necessary.



**BUT DON'T OVERTIGHTEN**



### Maintenance:

Simply rinse the surface with clear water or mild liquid detergents (if necessary). Dry the faucet with a clean soft cotton cloth. Do not use any cleaning agents containing acids polish abrasives or harsh cleaners.

## Cleaning and care

Daily cleaning and care are required in order to keep the product shining and working properly.

1. Clean it with water and dry it with soft cloth.
2. Clean the product with gentle liquid or glass cleaner.
3. Don't use acid cleaner.
4. Don't clean with abrasive material, abrasive paper or knife.



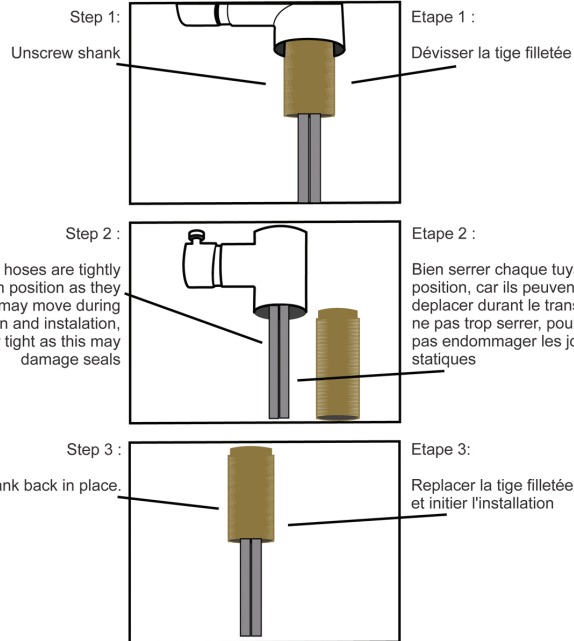
**WARNING**



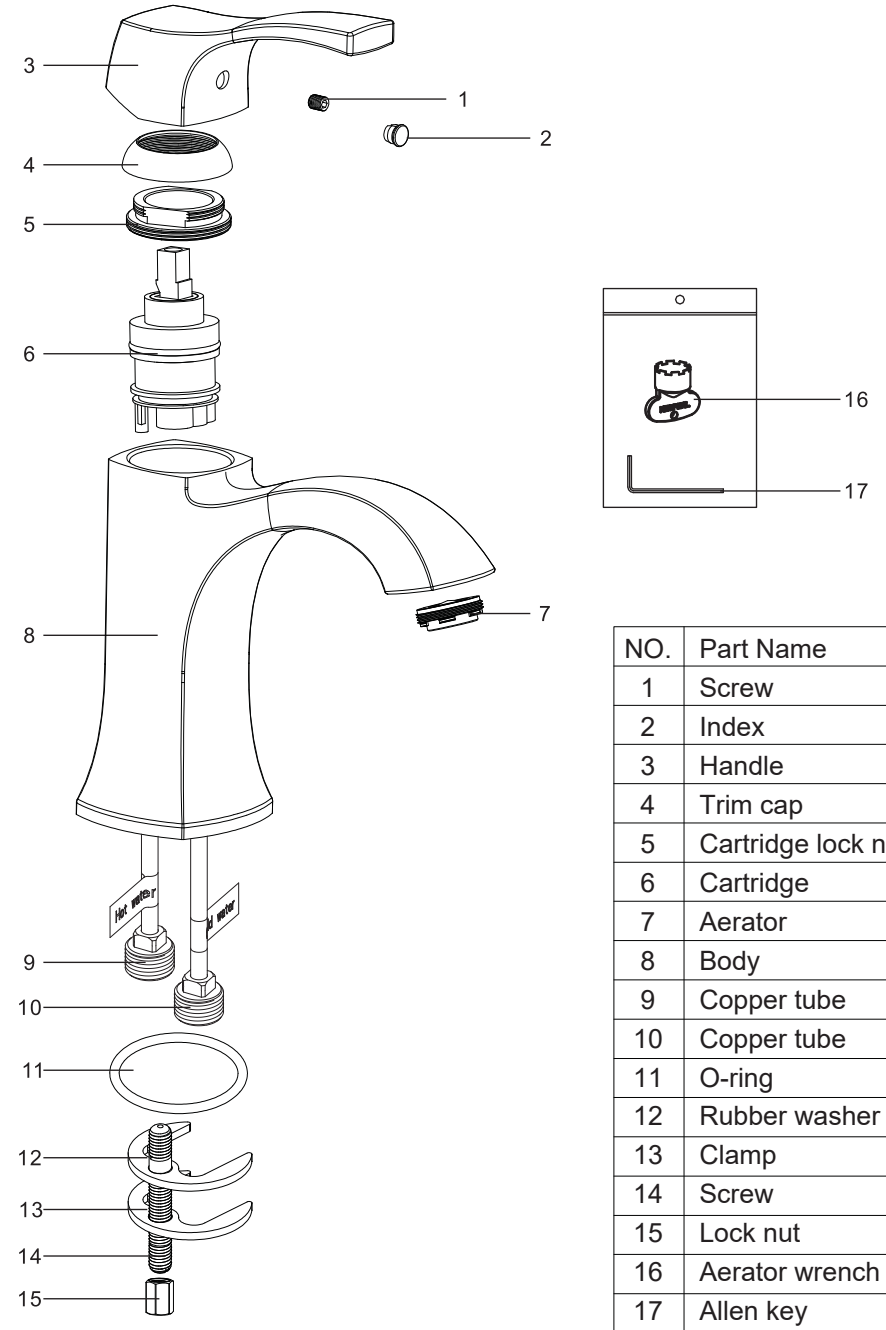
**ATTENTION**

Ensure hoses are tightly screwed in position as they may move during transportation and installation.

Assurez-vous de bien serrer les embouts de chaque Tuyau car ils peuvent se dévisser lors du transport – bien valider après l'installation aussi



## Parts list



NO.	Part Name
1	Screw
2	Index
3	Handle
4	Trim cap
5	Cartridge lock nut
6	Cartridge
7	Aerator
8	Body
9	Copper tube
10	Copper tube
11	O-ring
12	Rubber washer
13	Clamp
14	Screw
15	Lock nut
16	Aerator wrench
17	Allen key