

# ASSEMBLY INSTRUCTIONS

9300167

## HARDWARE

Ax3



M6X12MM

Bx4



M6X16MM

Cx6



M6X30MM

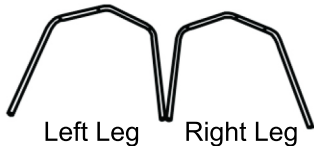
Dx1



M6

## PARTS

1x2

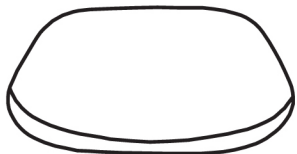


Left Leg Right Leg

2x1



3x1

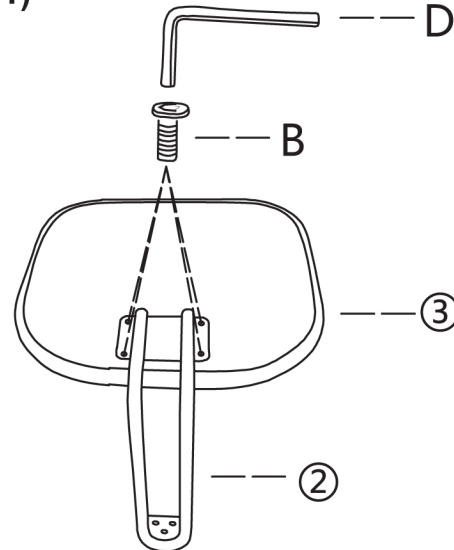


4x1

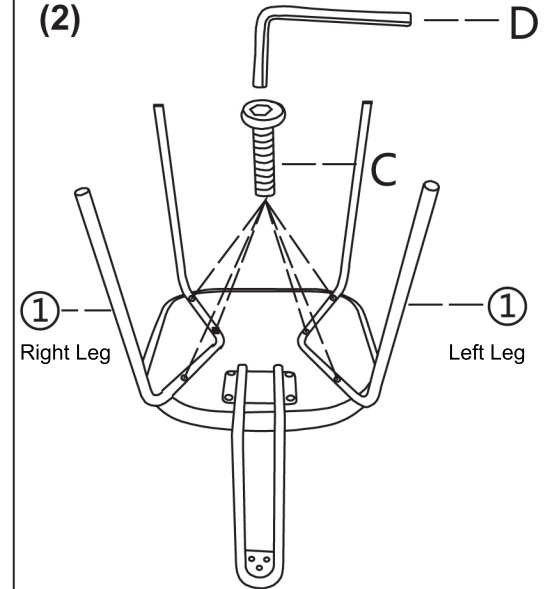


The more vertical and higher legs are front legs and more slanted legs are rear legs. Make sure to screw the straight part of seat to front legs and the curved part of seat to the rear legs.

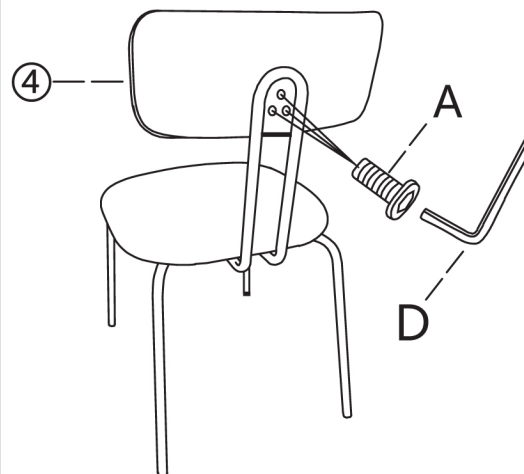
(1)



(2)



(3)



(4)

