

IF YOU HAVE PURCHASED A **UNDERMOUNT SINK**, PLEASE MAKE SURE TO READ THESE INSTRUCTIONS CAREFULLY

1

Prior to installation:

Make sure that you have all necessary parts by checking the parts list. If any part is missing, please contact Azuni Customer Service at [+1-855-789-5352](tel:+1-855-789-5352) for a replacement.

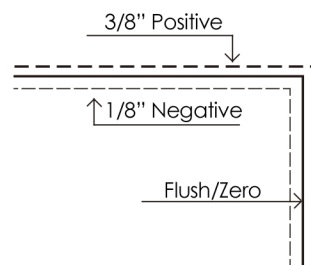
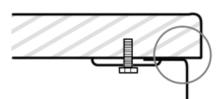
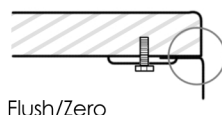
Inspect the sink prior to installation to make sure that it has not been damaged during shipping.

You may use the cut-out template provided or download DXF file from www.azuni.ca, the file is available under each sink model.

Observe all plumbing and building codes according to your state requirements.

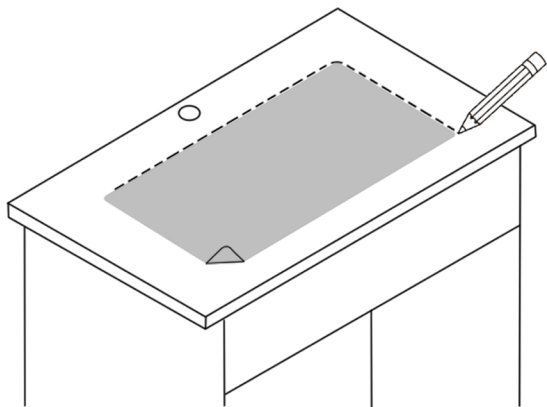
Not recommended to be installed with laminate countertop.

2



Use scissors to cut along the line of the paper template for you desired reveal type (Negative, Positive or Flush Reveal)

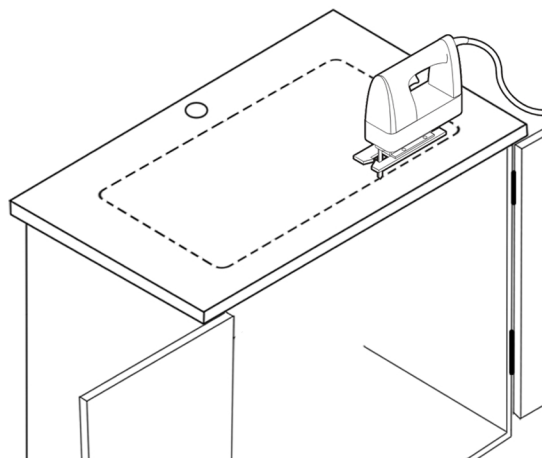
3



Place cut-out template in desired position on countertop locating center of the bowl over cabinet.

Note: Sink installation is normally performed by the countertop provider.

4



Trace the outline of the template and cut countertop according to templated outline using appropriate cutting tools. Template is for guide only. Use physical sink to ensure accurate cut-out opening. It is recommended to use the actual sink dimensions to ensure the most accurate cut out. Drawing or template are for reference.

WARRANTY

For additional technical assistance or for any questions or concerns about your sink's warranty, please contact us.

www.azuni.ca/warranty



www.azuni.ca



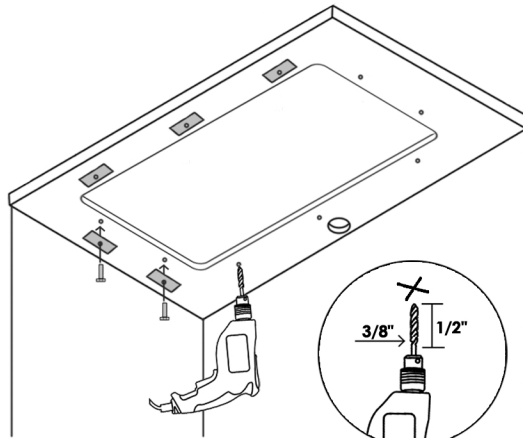
care@azuni.ca



+1-855-789-5352



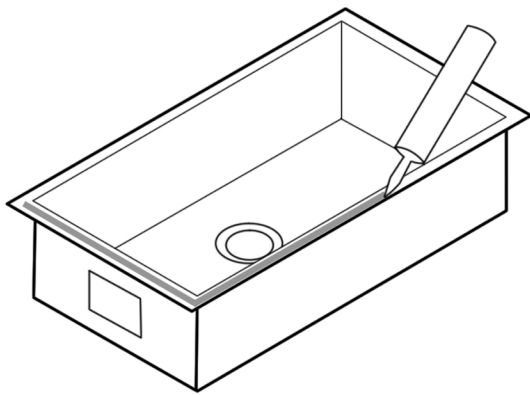
5



3/8" diameter
by 1/2" deep hole

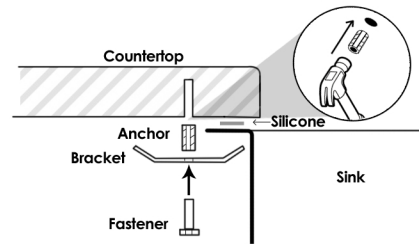
Drill holes on the underside of the countertop, approximately 1/2" from edge of the sink to be installed. Holes should be evenly spaced approximately 6" to 8" apart starting from every corner as shown below.

7

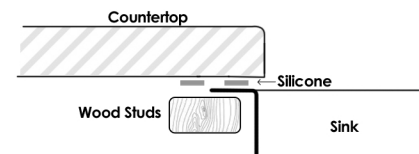


Clean sink flange and underside of cut-out area of countertop, making sure that the area is smooth and free of debris. Apply continuous bead of silicone caulk evenly on top of sink flange.

6

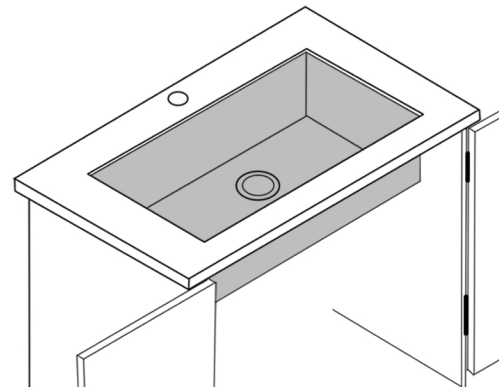


Option 1. Insert anchors under the countertop on the drilled holes, so they are ready to fasten the sink flange. Anchors should be inserted with a hammer until flush.



Option 2. Alternatively wood studs combined with silicone caulk can be used to hold sink against countertop without using mounting brackets.

8



Check alignment of sink again and tighten fasteners to secure sink. Wipe away excess silicone caulk with damp cloth. Connect drain and water supply according to manufacturer's instruction.

Note: If sink is installed using **Option 2** it will require special means to hold sink in place while adhesive silicone cures.

CARE AND CLEANING

1. Rinse the sink with water.
2. Coat the sink with baking soda, Flitz or Barkeepers friend.
3. With sponge, scrub all sink walls in the direction of the steel grain.
4. Spray on undiluted vinegar.
5. Rinse again.
6. Buff with a few drops of olive oil.
7. If necessary, repeat procedure.
8. We recommend the use of a stainless steel bottom grid that will protect the sink from scratches that could be caused by the utensils and pots.

IF YOU HAVE PURCHASED A **DROP-IN SINK**, PLEASE MAKE SURE TO READ THESE INSTRUCTIONS CAREFULLY

1

Prior to installation:

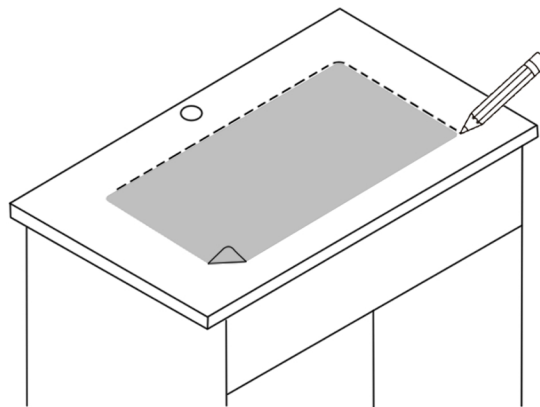
Make sure that you have all necessary parts by checking the parts list. If any part is missing, please contact Azuni Customer Service at [+1-855-789-5352](tel:+18557895352) for a replacement.

Inspect the sink prior to installation to make sure that it has not been damaged during shipping.

You may use the cut-out template provided or download DXF file from www.azuni.ca, the file is available under each sink model.

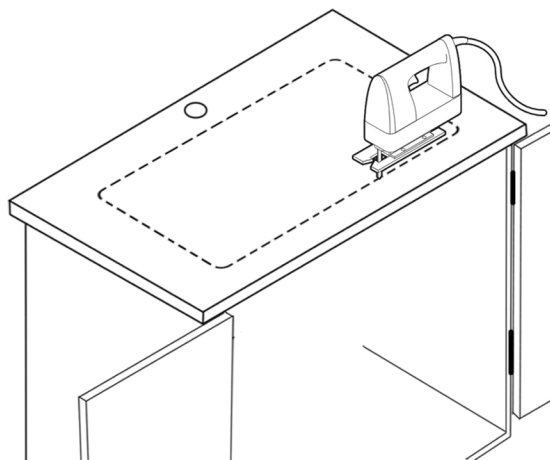
Observe all plumbing and building codes according to your state requirements.

2



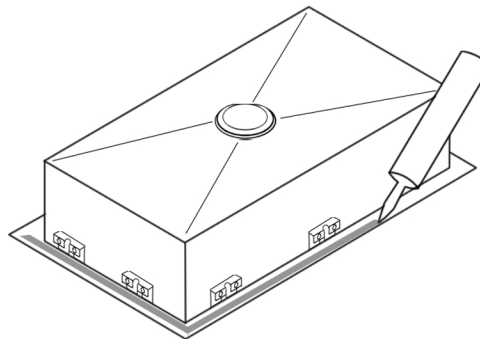
Place cut-out template in desired position on countertop locating center of the bowl over cabinet.

3



Trace the outline of the template and cut countertop according to templated outline using appropriate cutting tools. Template is for guide only. Use physical sink to ensure accurate cut-out opening.

4



Clean sink flange and area surrounding the cut-out area of countertop, making sure that the area is smooth and free of debris. Apply continuous bead of silicone.

WARRANTY

For additional technical assistance or for any questions or concerns about your sink's warranty, please contact us.

www.azuni.ca/warranty



www.azuni.ca



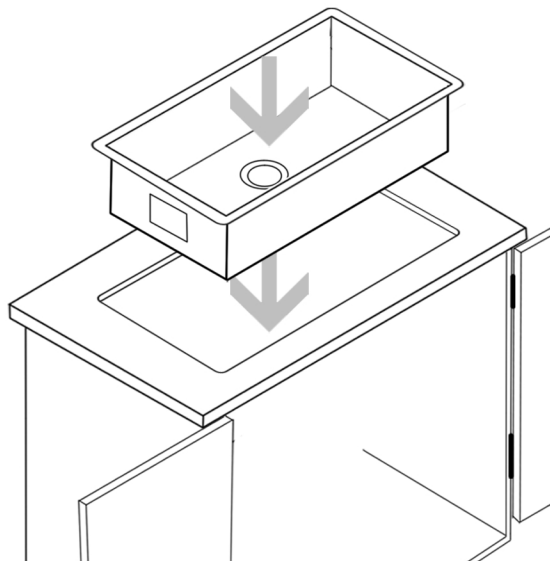
care@azuni.ca



+1-855-789-5352

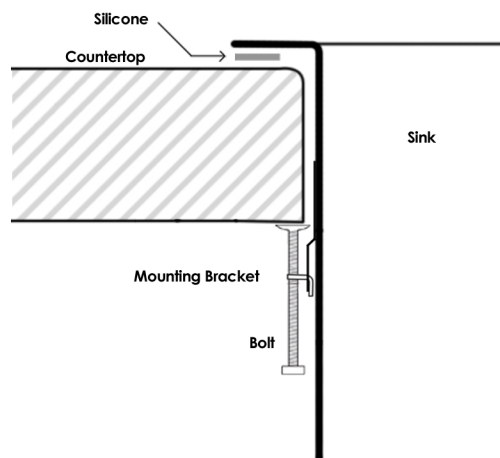


5



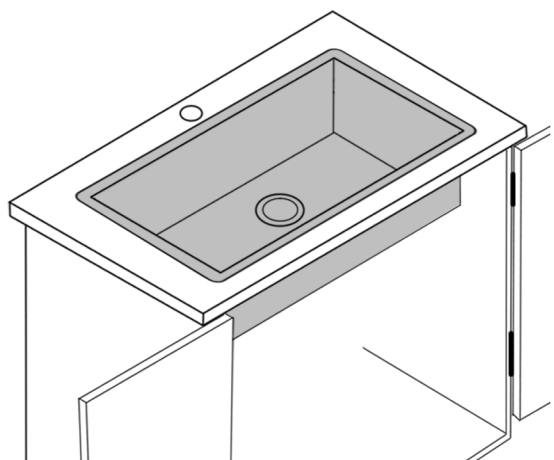
Drop-in on countertop opening.

6



Insert mounting brackets on the side of the outer walls of the sinks on the slots provided.

7



Check alignment of sink again and tighten fasteners to secure sink. Wipe away excess silicone caulk with damp cloth. Connect drain and water supply according to manufacturer's instruction.

CARE AND CLEANING

1. Rinse the sink with water.
2. Coat the sink with baking soda, Flitz or Barkeepers friend.
3. With sponge, scrub all sink walls in the direction of the steel grain.
4. Spray on undiluted vinegar.
5. Rinse again.
6. Buff with a few drops of olive oil.
7. If necessary, repeat procedure.
8. We recommend the use of a stainless steel bottom grid that will protect the sink from scratches that could be caused by the utensils and pots.