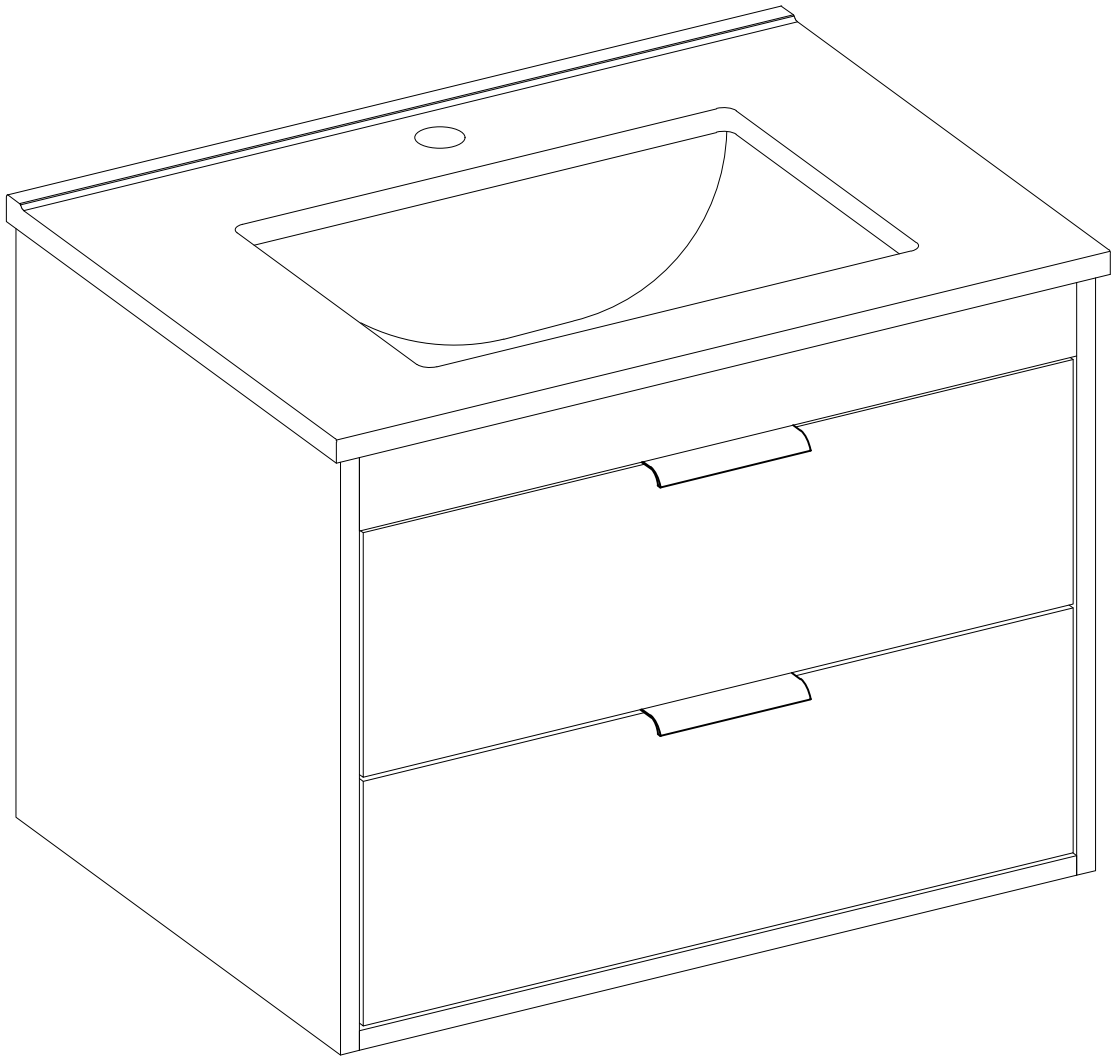
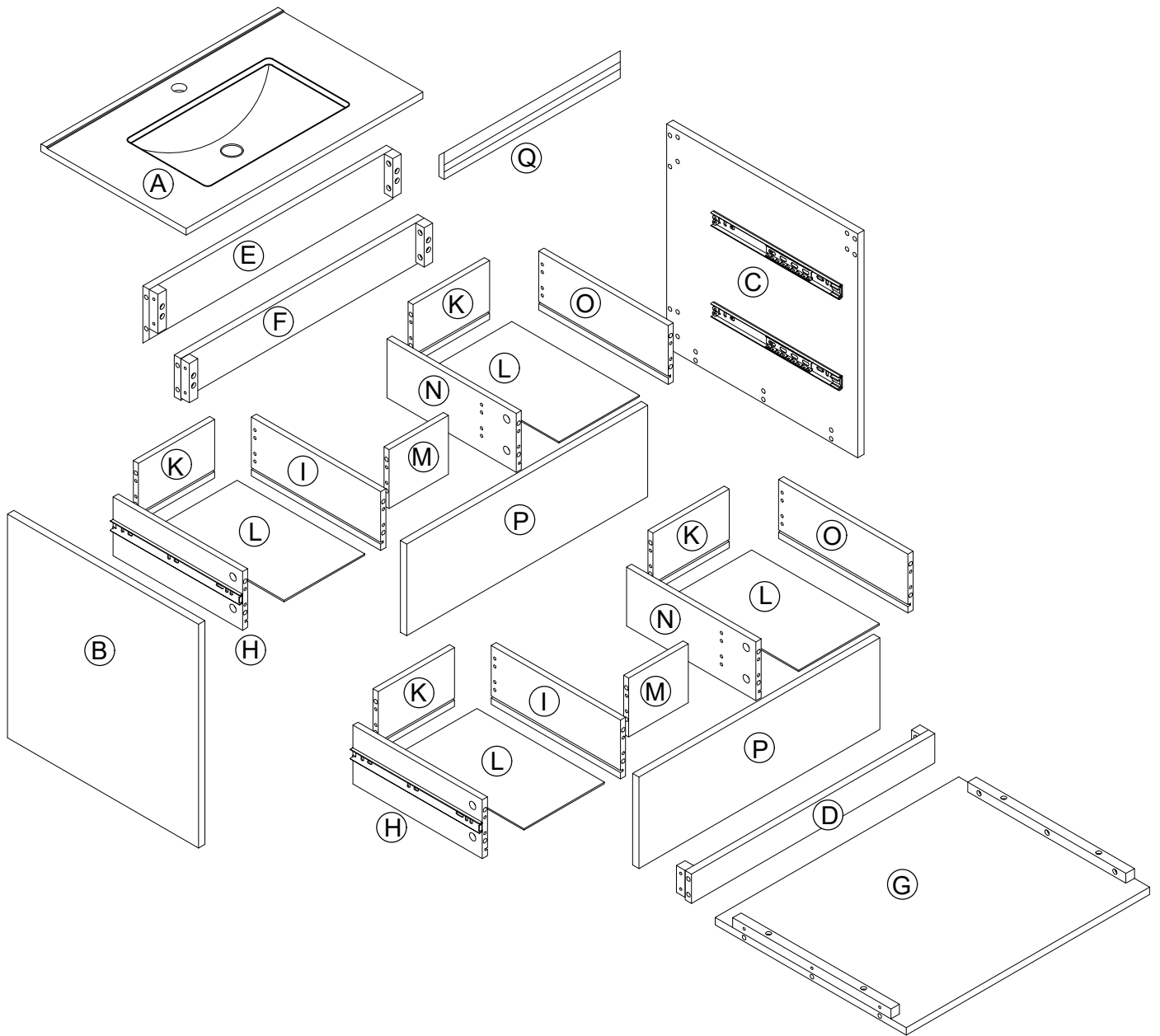


Singer Bathroom Vanity

CXY2334

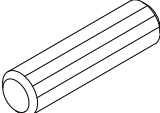
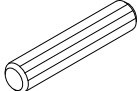
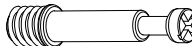
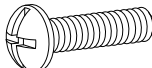

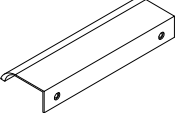

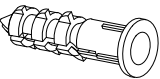
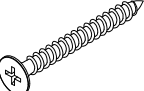
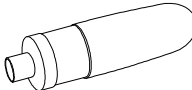


# PACKAGE CONTENTS

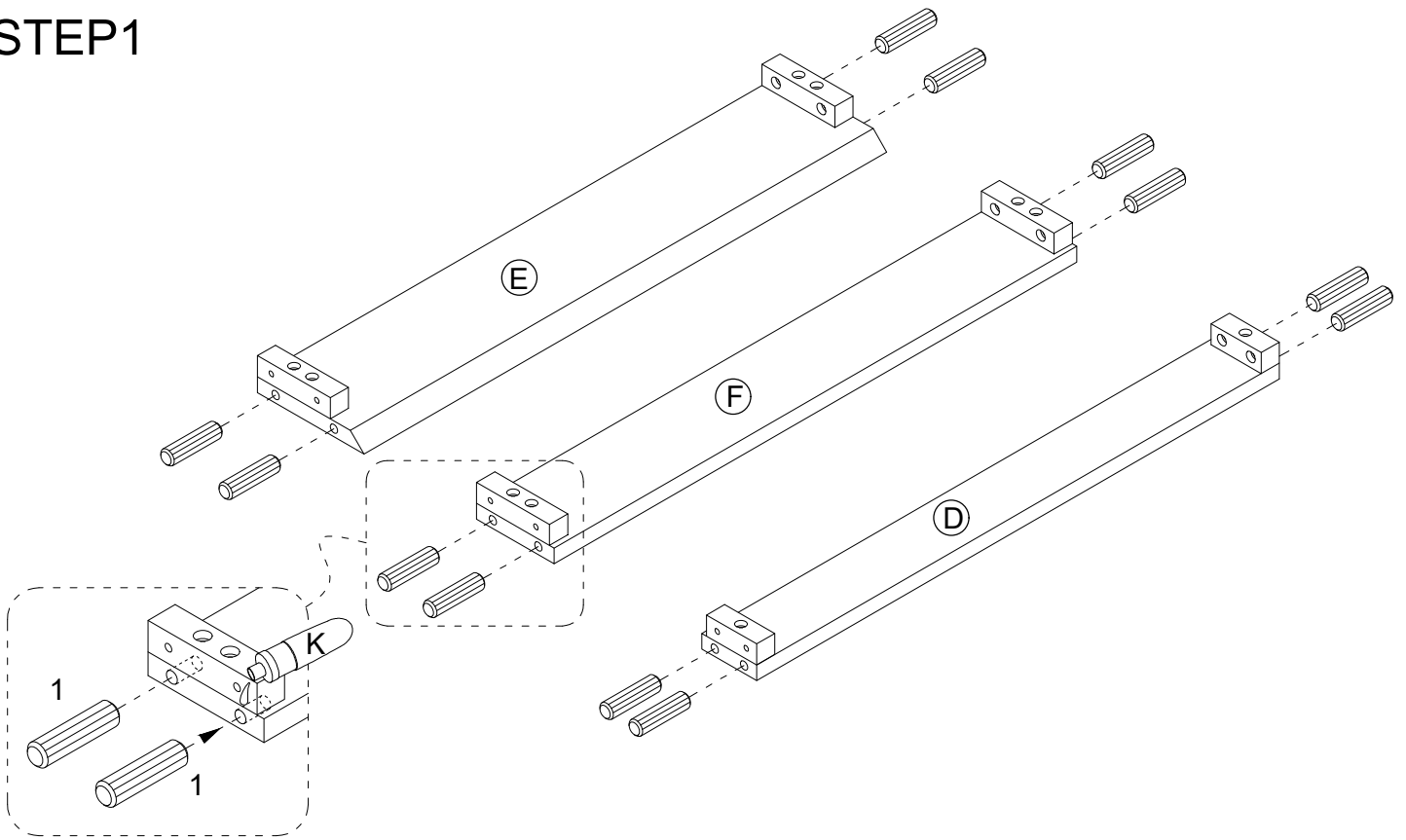


PART	DESCRIPTION	QTY	PART	DESCRIPTION	QTY
A	Sink	X1	I	Drawer Left Middle Panel	X2
B	Left Side Board	X1	K	Drawer Back Panel	X4
C	Right Side Board	X1	L	Drawer Bottom Panel	X4
D	Front Upper Rail	X1	M	Middle Drawer Panel	X2
E	Back Upper Rail	X1	N	Drawer Right Middle Panel	X2
F	Back Lower Rail	X1	O	Drawer Right Panel	X2
G	Bottom Panel	X1	P	Drawer Front Panel	X2
H	Drawer Left Panel	X2	Q	Back Rail	X1

# HARDWARE CONTENTS



1	2	3	4
			
Ø8*30mm    18PCS	Ø6*30mm    40PCS	Ø6*33mm    40PCS	M6*25mm    18PCS
5	6	7	8
			
Ø15*9mm    40PCS	2PCS	Ø3*12mm    4PCS	Ø8*40mm    3PCS
9	10		
			
Ø4*38mm    3PCS	1PC		

# STEP1

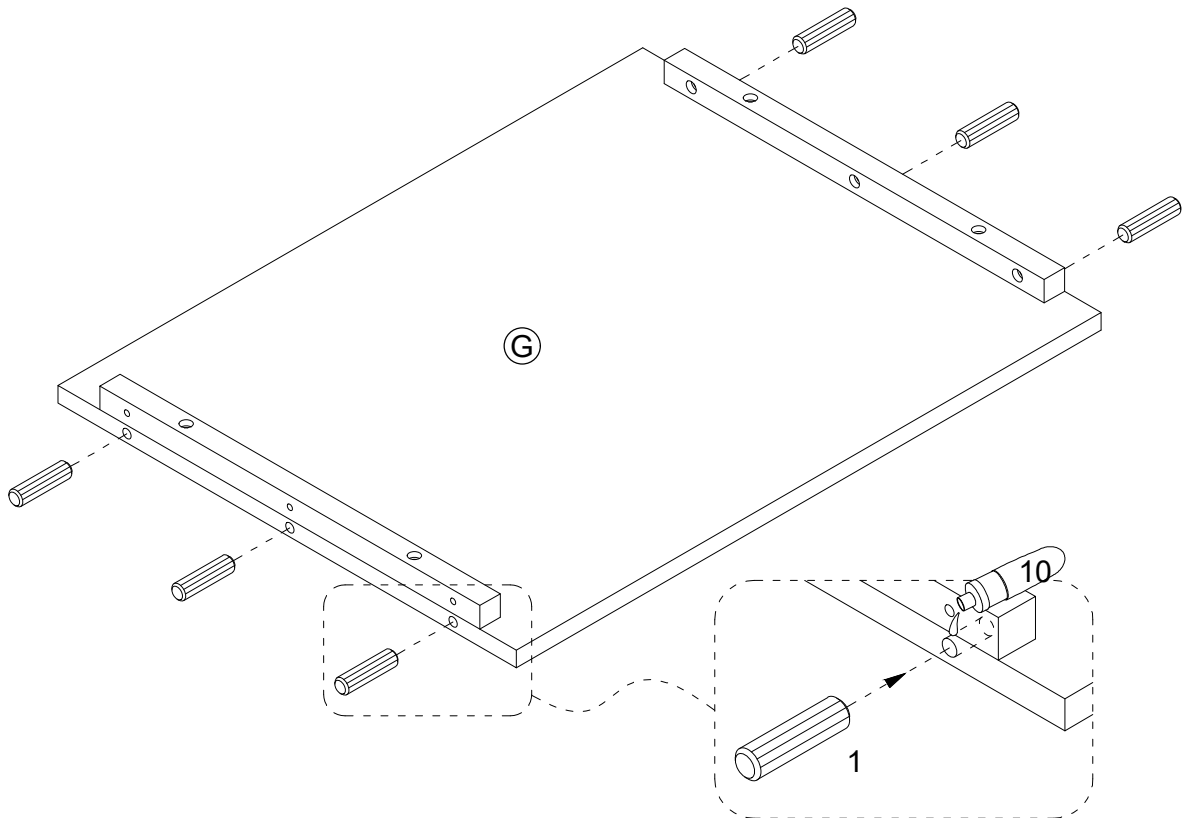


Glue the wood dowels 1 into the inner holes on the front upper rail D ,E and F .

NOTE: It is very important to use a small amount of glue 10 on ends of dowels and wipe away excess glue immediately.



	1 x 12pcs
	10 x 1pc

# STEP2

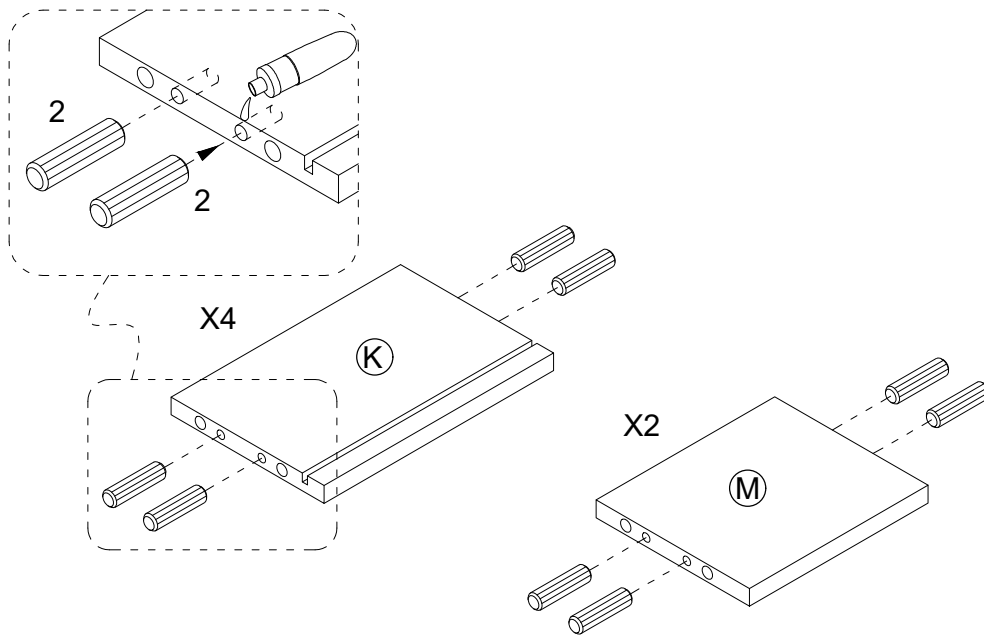


Glue the wood dowels 1 into the inner holes on the side panels G.

NOTE: It is very important to use a small amount of glue 10 on ends of dowels and wipe away excess glue immediately.

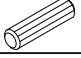

	1 x 6pcs
	10 x 1pc

# STEP3

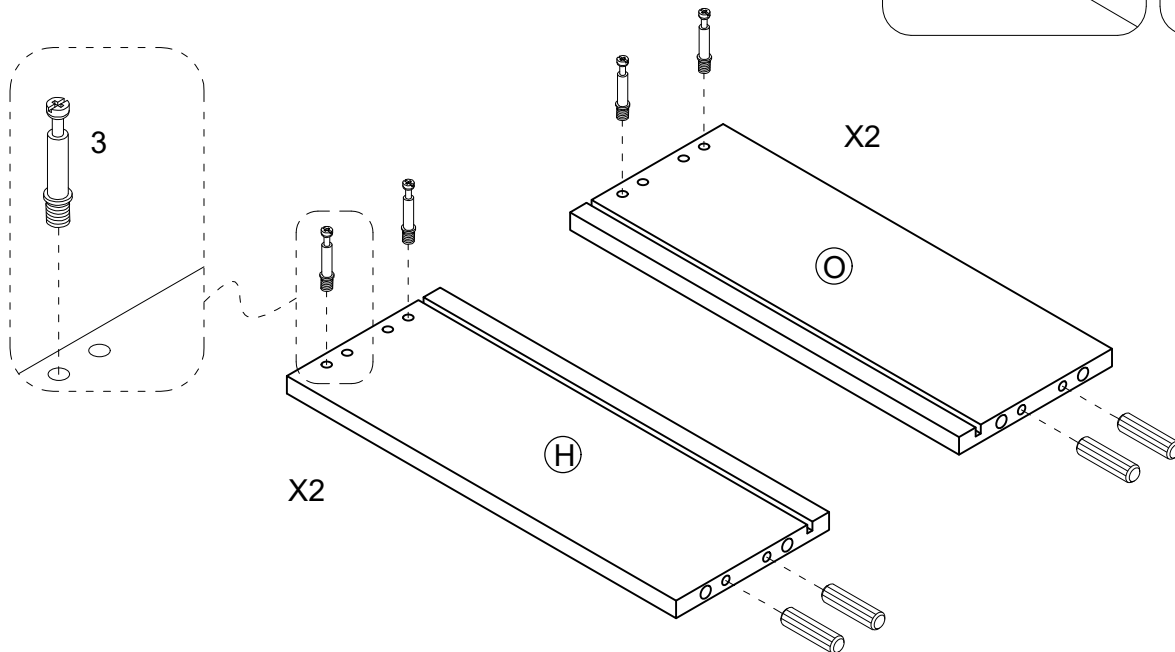
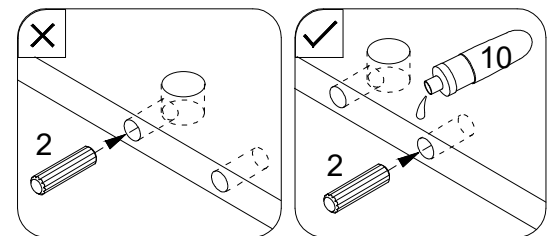


Glue the wood dowels 2 into the inner holes on the front upper rail K and M .

NOTE: It is very important to use a small amount of glue 10 on ends of dowels and wipe away excess glue immediately.

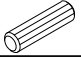
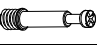

	2 x 24pcs
	10 x 1pc

# STEP4

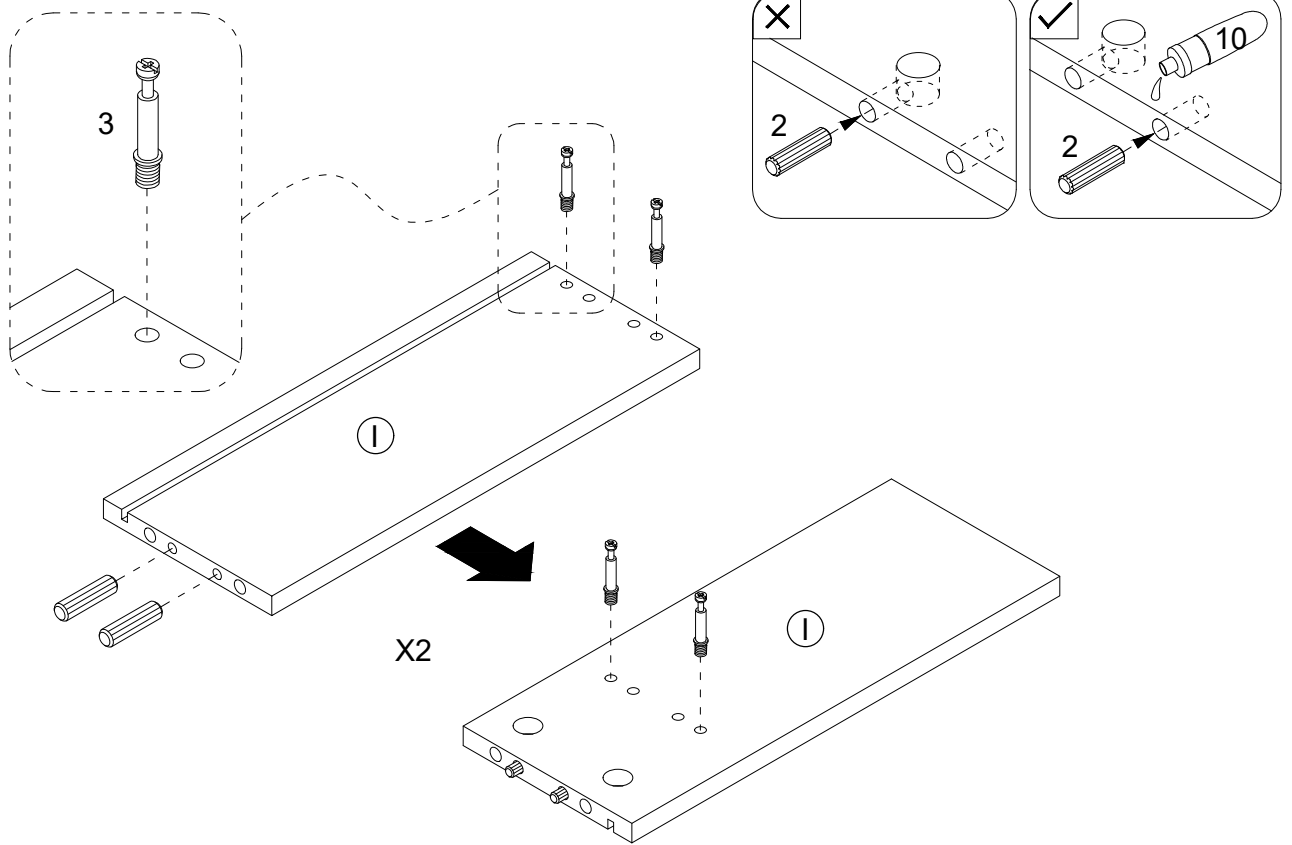


Glue the wood dowels 2 into the inner holes on the front upper rail H and O .

NOTE: It is very important to use a small amount of glue 10 on ends of dowels and wipe away excess glue immediately.

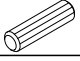
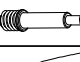

	2 x 8pcs
	3 x 8pcs
	10 x 1pc

## STEP5

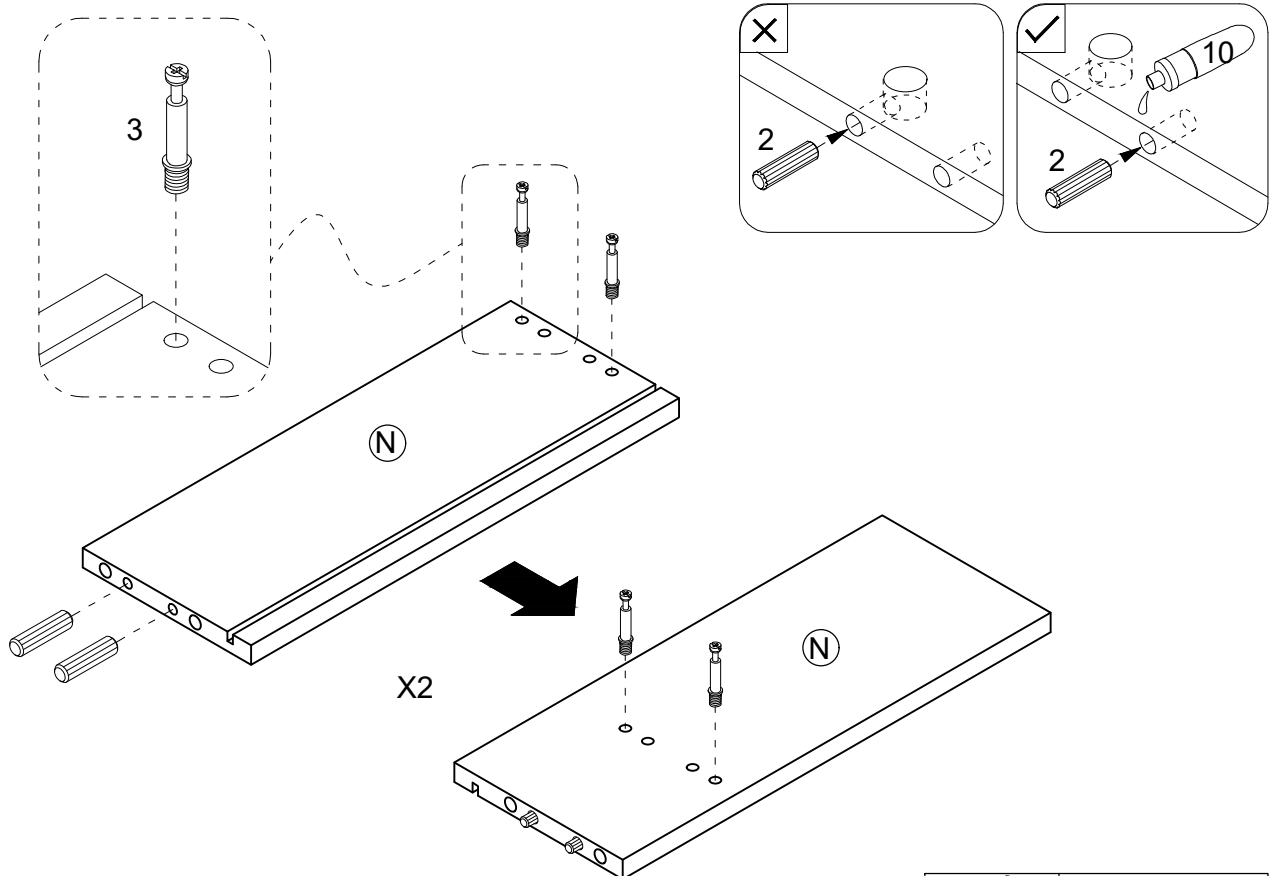


Glue the wood dowels 2 into the inner holes on the side panels I.

NOTE: It is very important to use a small amount of glue 10 on ends of dowels and wipe away excess glue immediately.

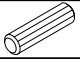
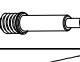

	2 x 4pcs
	3 x 8pcs
	10 x 1pc

## STEP6

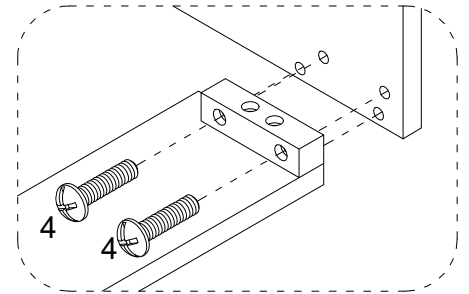
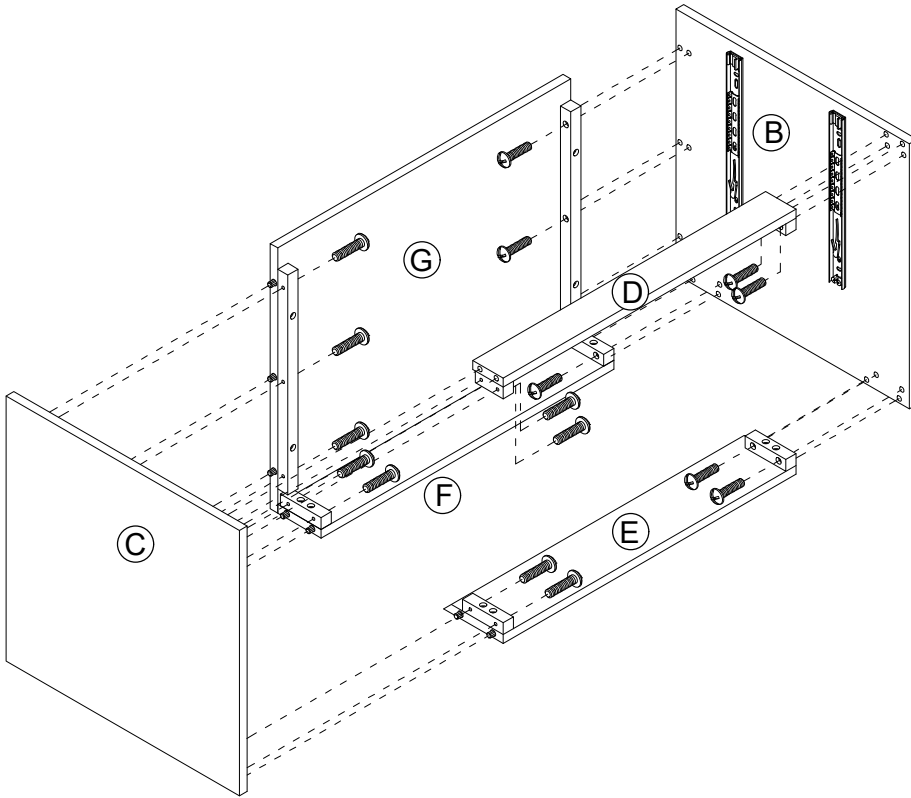



Glue the wood dowels 2 into the inner holes on the side panels N.

NOTE: It is very important to use a small amount of glue 10 on ends of dowels and wipe away excess glue immediately.

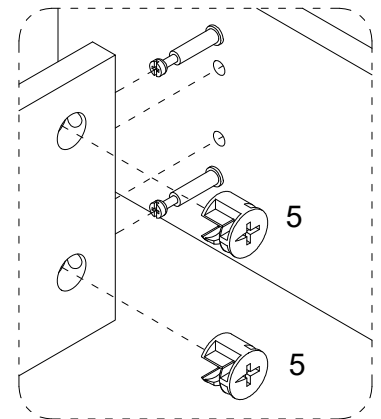
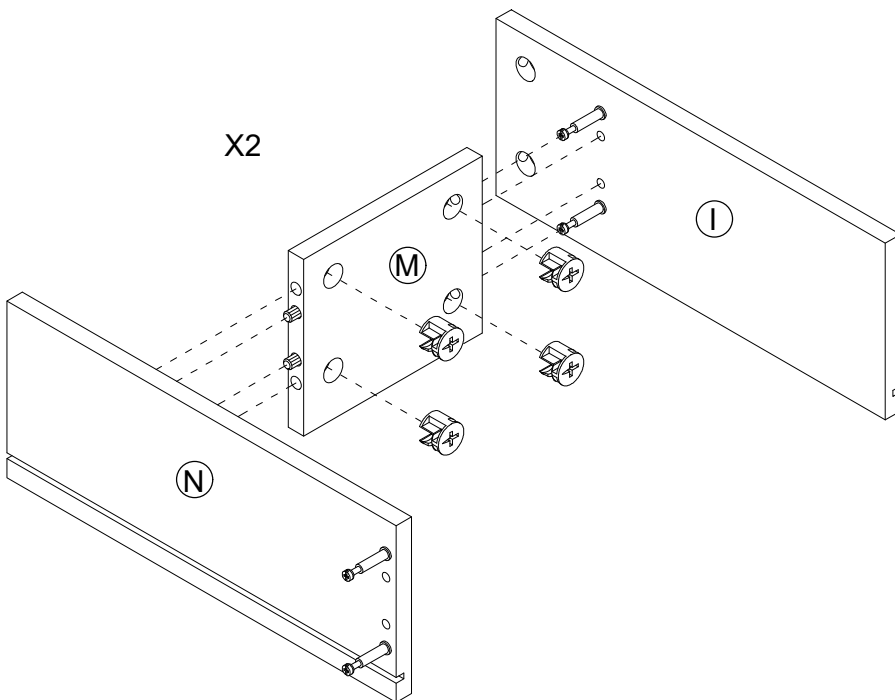
	2 x 4pcs
	3 x 8pcs
	10 x 1pc


# STEP7



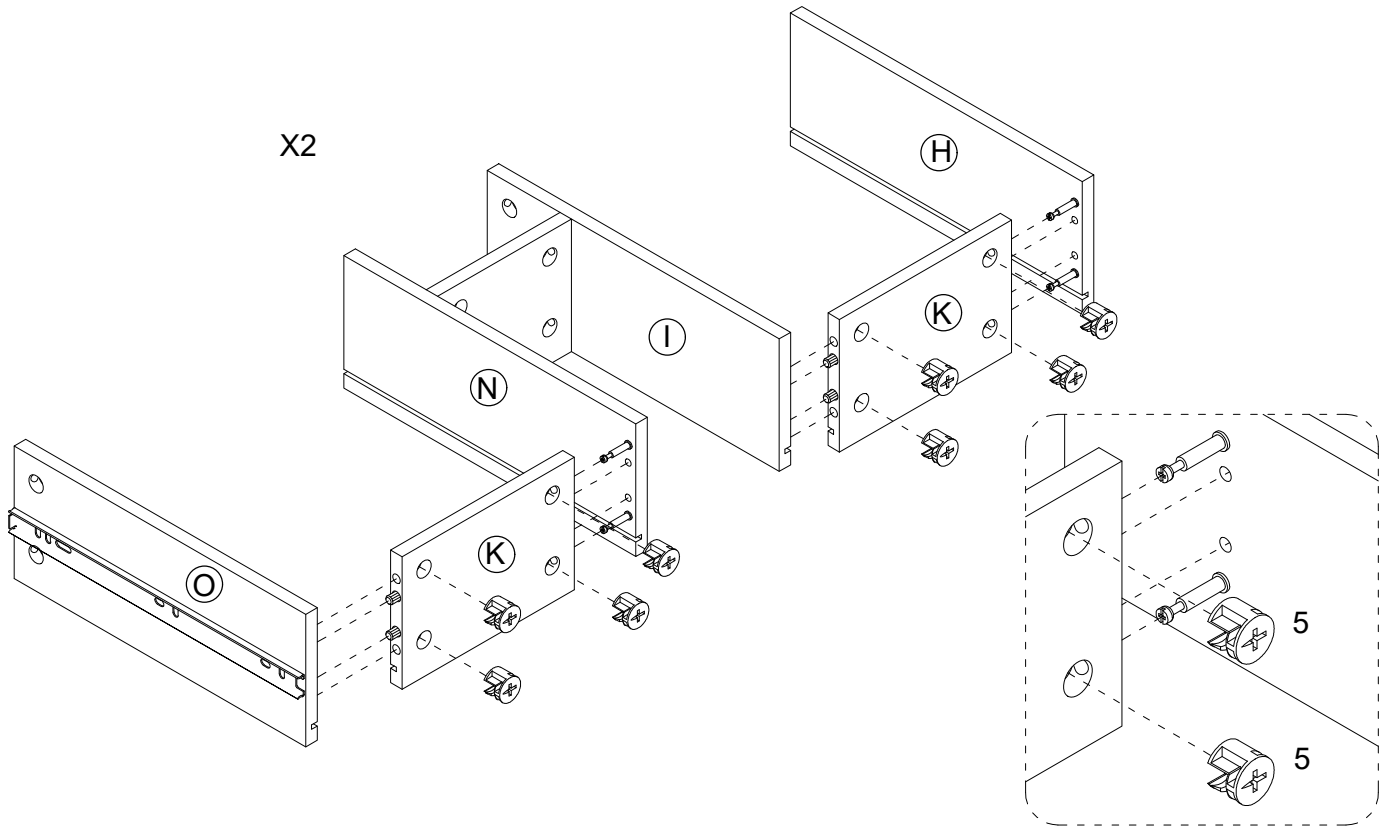
 4 x 18pcs


# STEP8



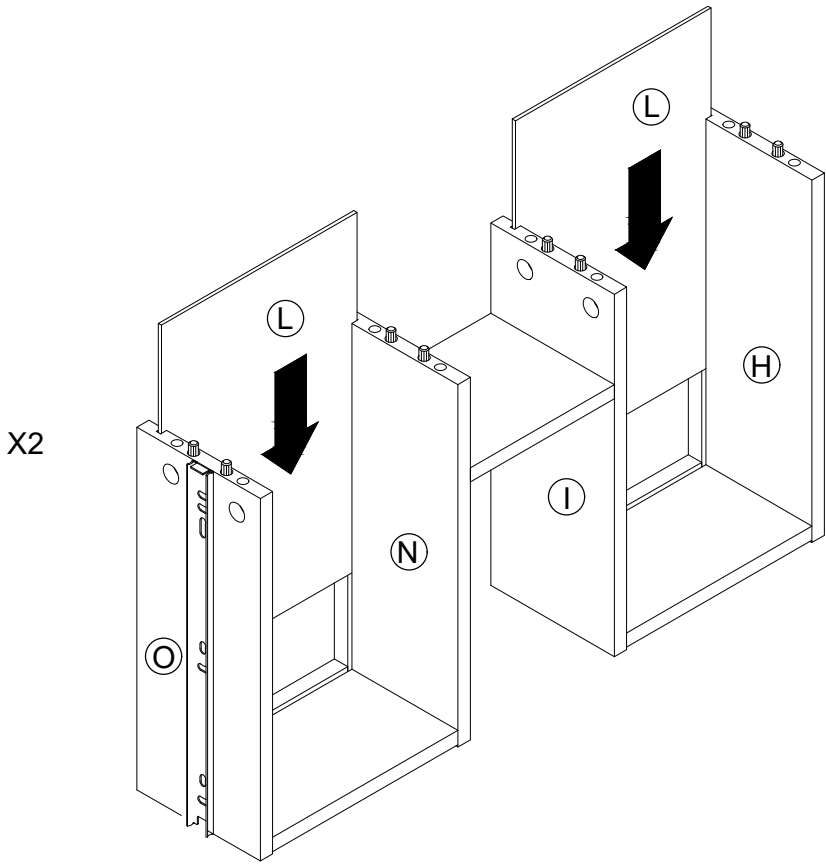
 5 x 8pcs

# STEP9



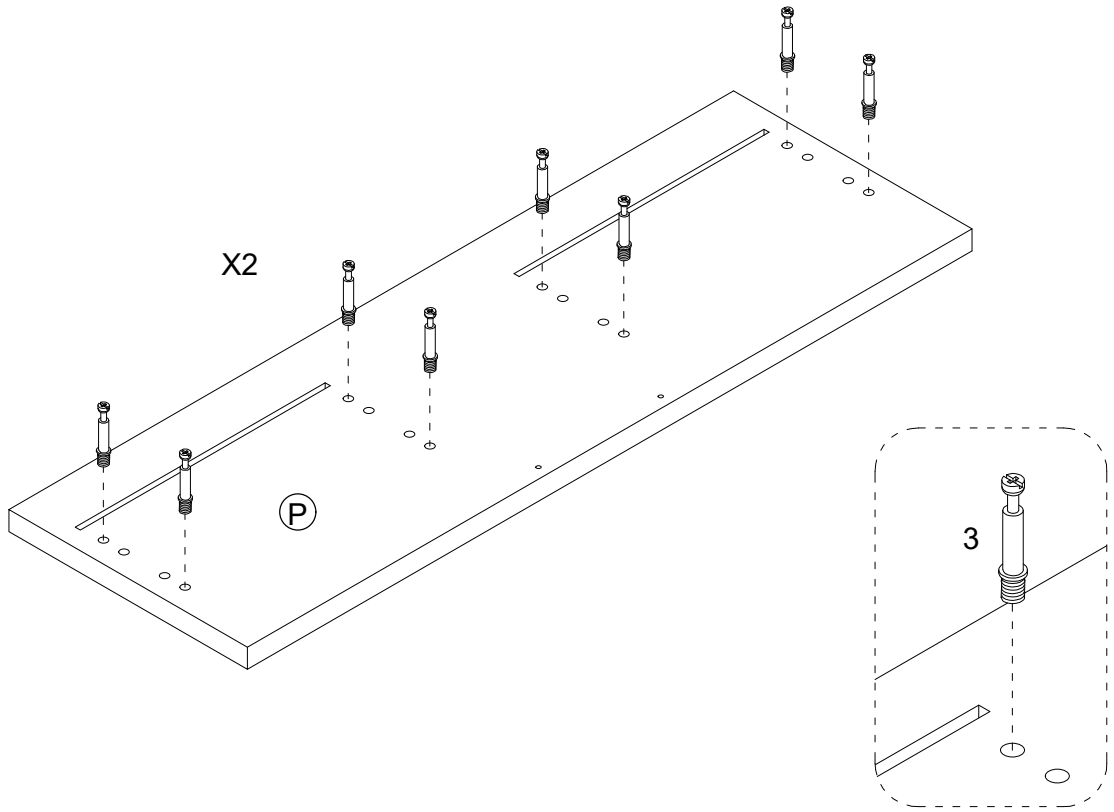
 5 x 16pcs

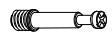
# STEP10



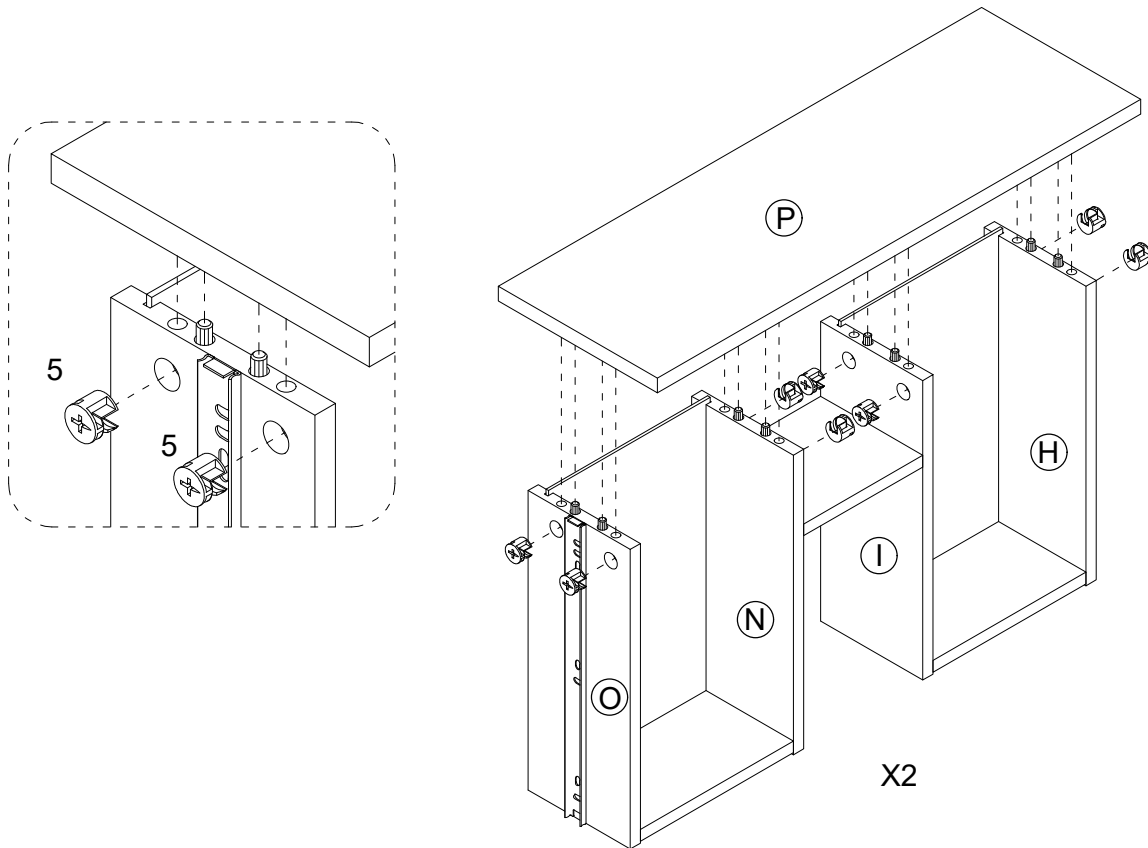



# STEP11



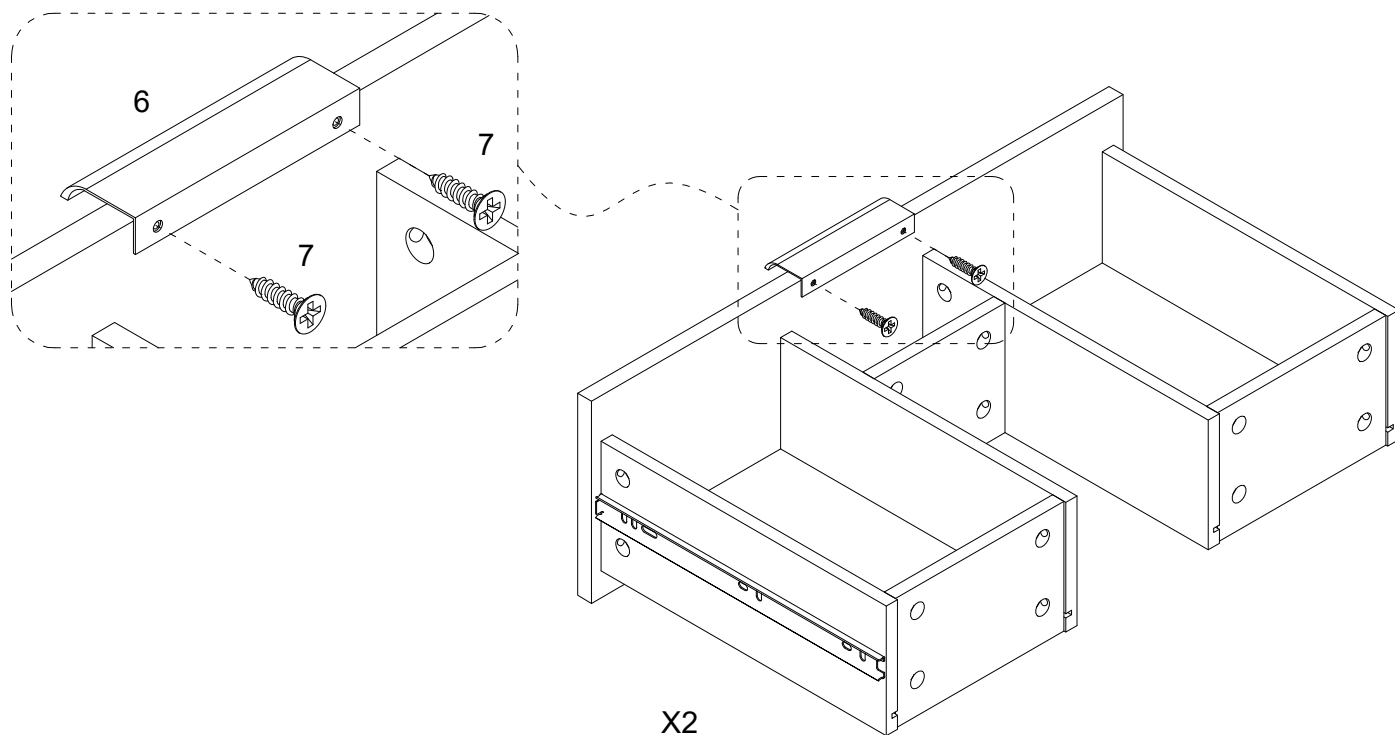
 3 x 16pcs



# STEP12



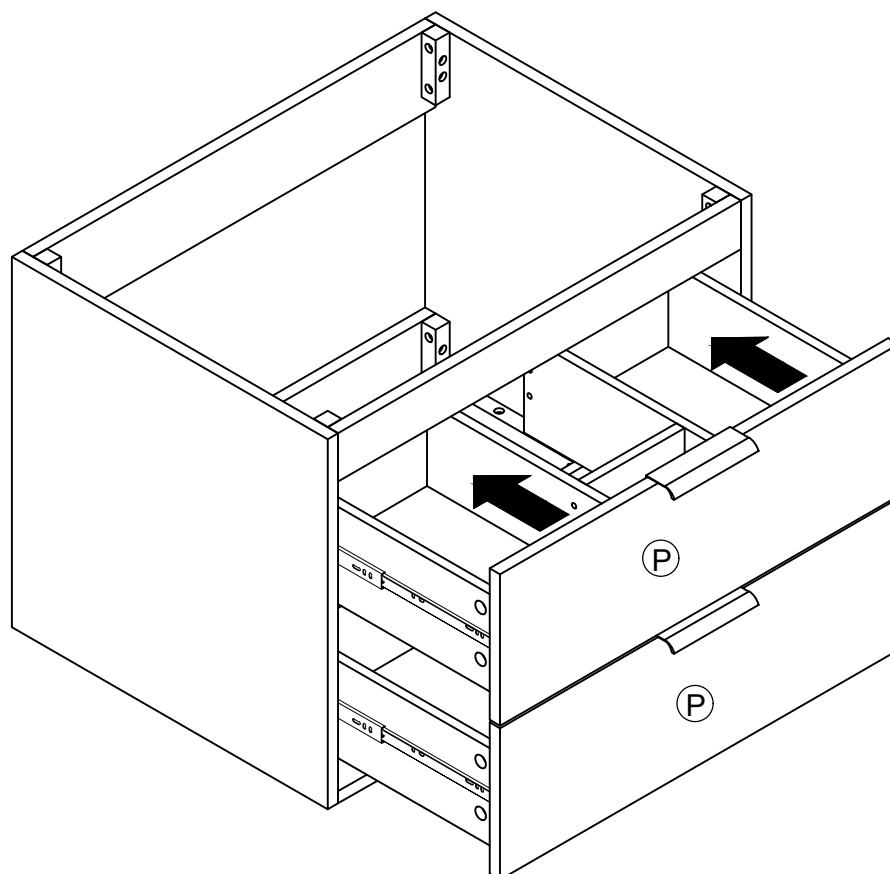
 5 x 16pcs

# STEP13

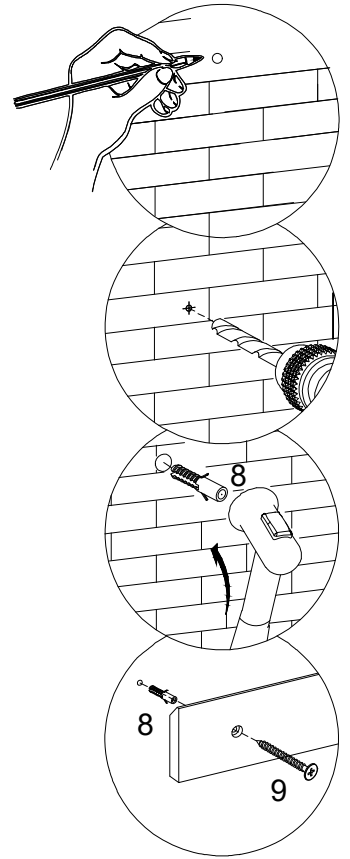
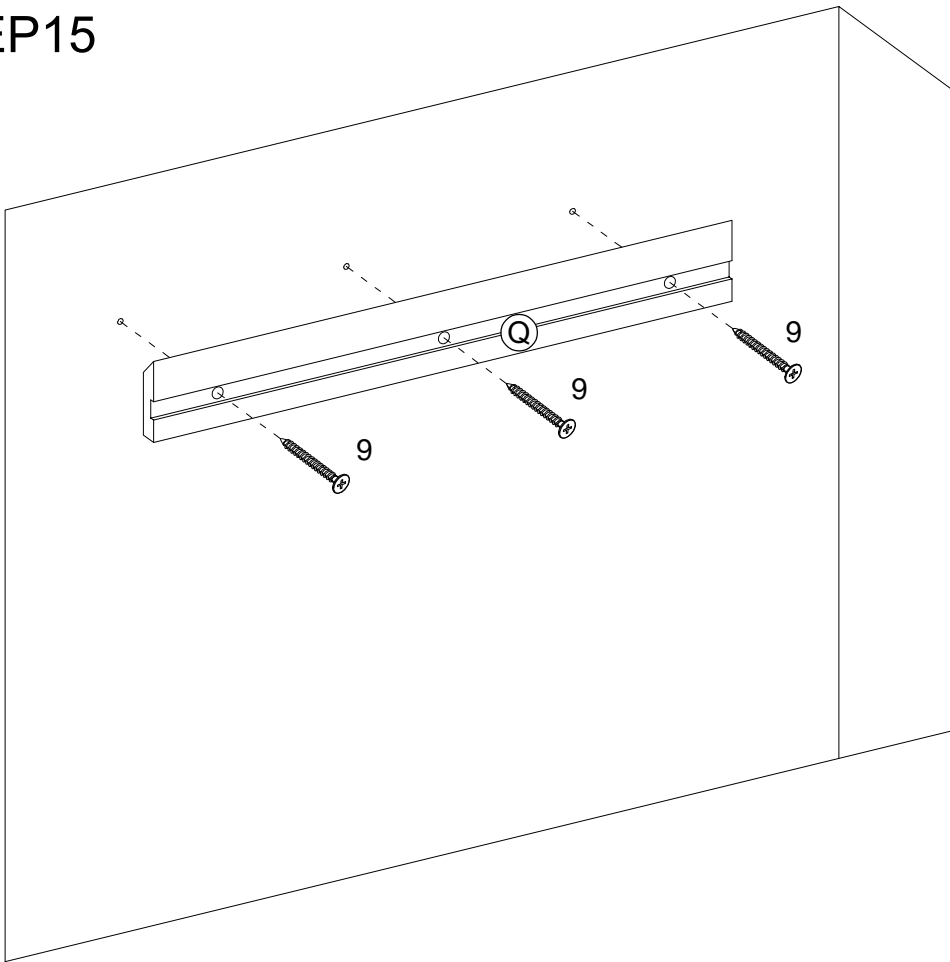




	6 x 2pcs
	7 x 4pcs

# STEP14

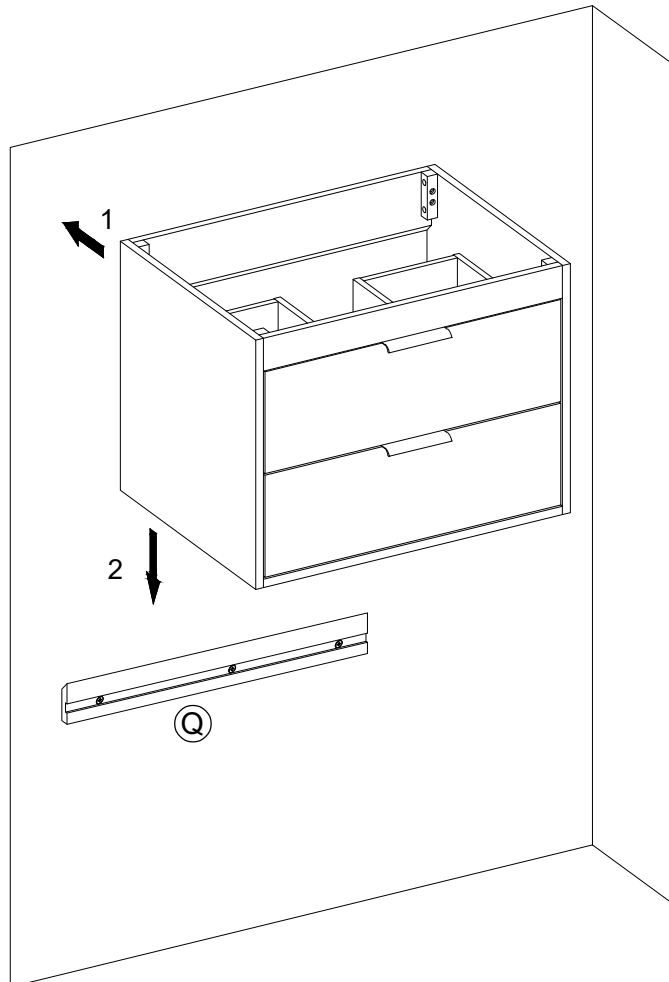


# STEP15

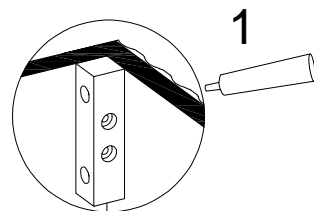
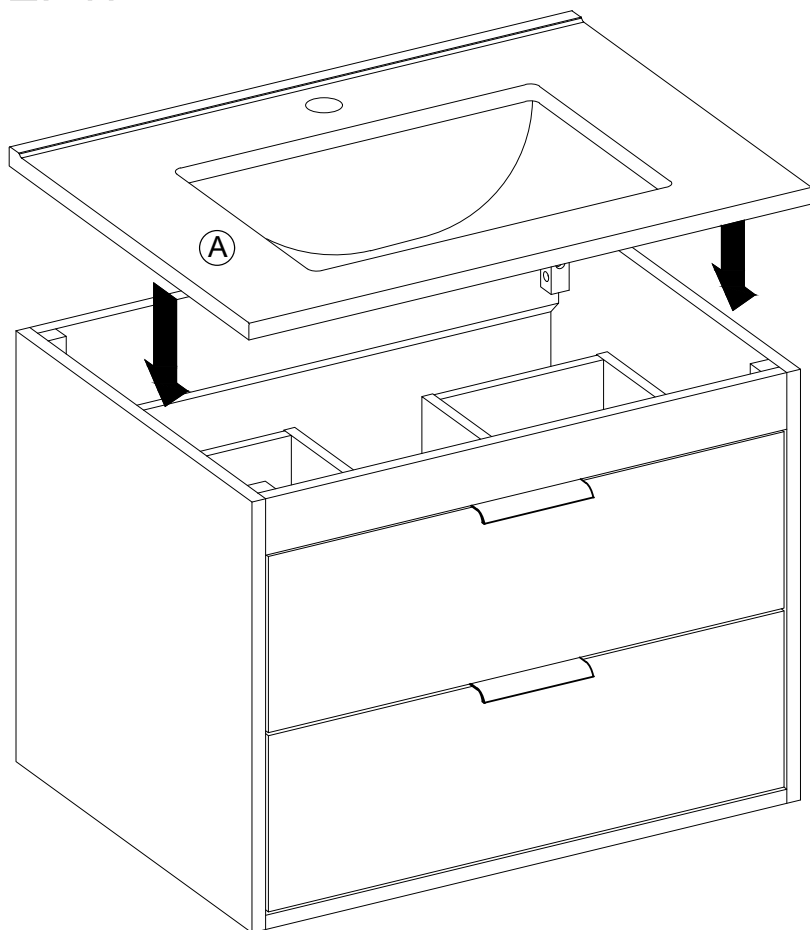


	8 x 3pcs
	9 x 3pcs

# STEP16



## STEP17



To install the Top (1) to the vanity (2). Apply silicone caulk to the top edge of the wood cabinet. With the help of another adult, gently lower the Sink top with assembled sink onto the cabinet. Make sure the Sink top is flush with the back side of the wood cabinet and the wood cabinet left and right side walls.

## STEP18

