



# ASSEMBLY INSTRUCTION

Item: 5900-90267 WOVEN PANEL HEADBOARD 6/6  
 5900-90268 WOVEN PANEL FOOTBOARD 6/6  
 5900-90153 WOVEN PANEL SIDE RAIL 5/0-6/6

Thank you for purchasing this quality product. Be sure to unpack carefully looking for small parts which may have come loose during shipment.

Read all instruction and study the drawing carefully before starting the assembly process.

HARDWARE LIST OF HEADBOARD - 90267

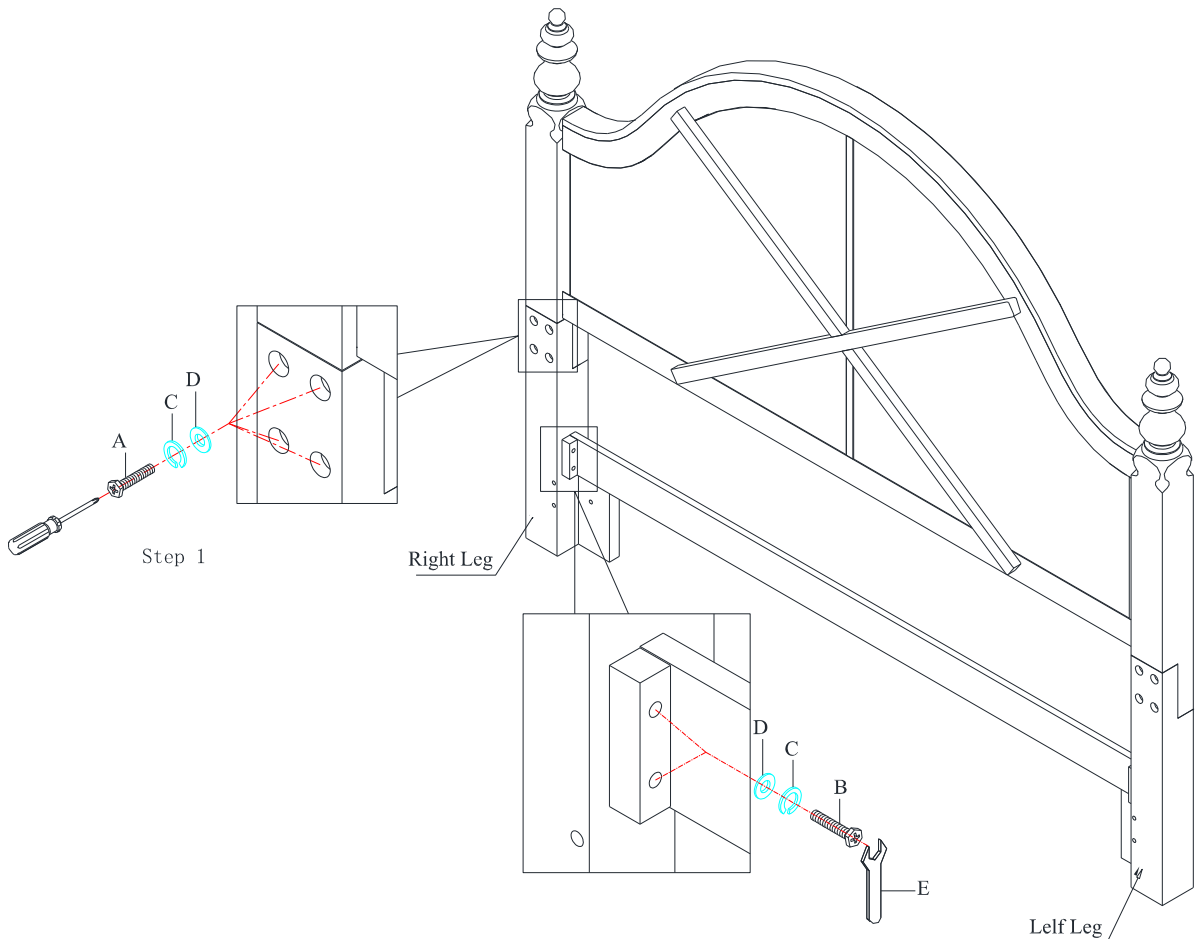
NO	DRAWING	DESCRIPTION	SIZE	Q' ty
A		Bolt	ϕ5/16" * 1-3/4"	4 pcs
B		Bolt	ϕ5/16" * 2-1/2"	8 pcs
C		Lock Washer	ϕ5/16"	12 pcs
D		Flat Washer	ϕ5/16" * 19D	12 pcs
E		Open Wrench	13mm	1 pc

HARDWARE LIST OF BED RAIL - 90153

NO	DRAWING	DESCRIPTION	SIZE	Q' ty
F		Threaded Bolt	ϕ5/16" * 4"	8 pcs
G		Curved Washer	ϕ9 * 30 * 15 * 8	8 pcs
H		Nut	ϕ5/16" * 17	8 pcs
I		Open Wrench	13mm	1 pc

HARDWARE LIST OF FOOTBOARD - 90268

NO	DRAWING	DESCRIPTION	SIZE	Q' ty
J		Screw	ϕ9 * 1"	10 pcs



# ASSEMBLY INSTRUCTION

Item: 5900-90267 WOVEN PANEL HEADBOARD 6/6

5900-90268 WOVEN PANEL FOOTBOARD 6/6

5900-90153 WOVEN PANEL SIDE RAIL 5/0-6/6

Thank you for purchasing this quality product. Be sure to unpack carefully looking for small parts which may have come loose during shipment.

Read all instruction and study the drawing carefully before starting the assembly process.

