

Product Care and Maintenance

- In order to clean the bathtub, please only use soft cotton cloth or soft sponge.
- Never use acidic, alkali, or any products that state on their label that they are not suitable for use on Acrylic, ABS, Polystyrene or Plastic to clean the bathtub.
- To clean inside, fill it with warm water and add a couple of squirts of dish liquid. Allow it to sit for 30 minutes. Let the bathtub drain and wipe away the residue. You can also use cleaning products in aerosol cans or solvents, including acetone to deep clean.
- To remove light marks / scratches apply toothpaste to the area and scrub with soft cloth/sponge.

Owner's Manual & Installation Guide

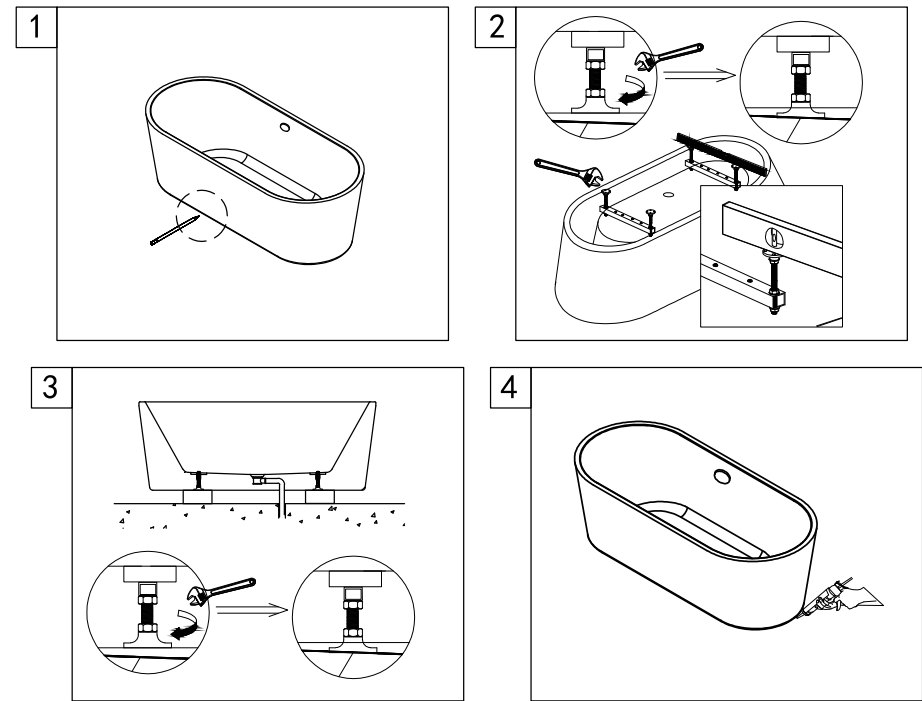
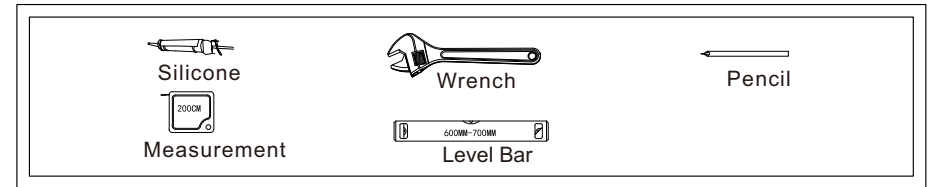
Freestanding Bathtub



- Please read all instructions carefully before proceeding with installation.
- Due to the complexity of the installation procedure a professional plumber is required.
- Specifications and directions may change without notice.

Table of Contents:

1. Installation Guide Applicable Bathtub Models	1
2. Internal Drain Configuration.....	2
3. Internal Drain and Overflow Installation	3
4. Deck Mount Faucet Capability	4
5. Bathtub Installation.....	5
6. Product Care and Maintenance	6

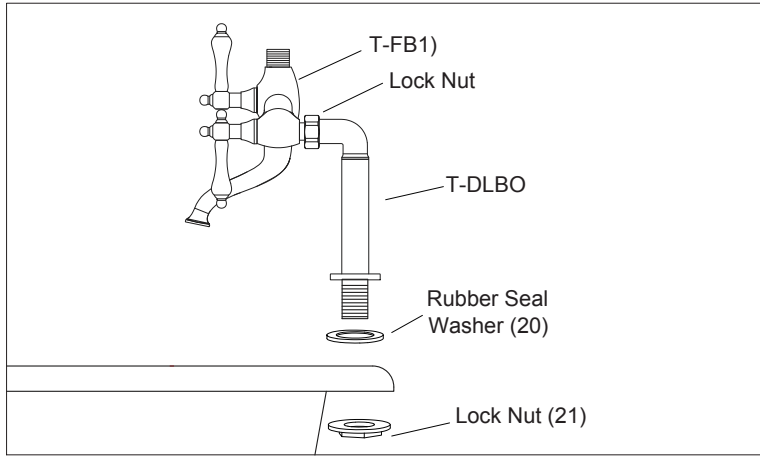


1. Move the bathtub into the desired location and mark on the floor along bathtub's bottom.
2. Set the bathtub upside down on a nonabrasive surface. Loosen the nuts and washers from the metal frame. Adjust the leveling feet to align with bathtub's bottom as well as level the tub with the floor and then tighten the washers and nuts.
3. Move the bathtub back into the desired location and put the drain hose into the floor drain.
4. Apply silicone along the bottom of the bathtub to create airtight seal.

Deck Mount Faucet Capability

These Bathtubs are Deck Mount Faucet Capable with Additional Alterations:

N-240-60FSWH-FM N-300-59FSWH-FM



Step 1:
If your tub does not have faucet holes use 1" hole saw and drill holes in the deck centered across the overflow hole on 8" centers.

Step 2:
Insert faucet through holes in tub rim with #20 seal washer above the deck and secure with #21 lock nut.

Note:
Faucet is not provided. These instructions simply show how to prepare your bathtub for deck mount faucet if it has that capability.

Please ensure all local plumbing and building codes are observed when installing these faucets.

Water supply lines must be roughed in at 8" centers.

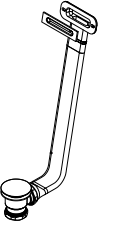
12

Installation Guide Applicable Bathtub Models

Drain Models A1040-F+(A604)-are used with below bathtub models

Freestanding Bathtub

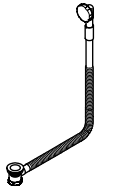
 N-380-63FSWH-FM N-381-67FSWH-FM N-382-71FSWH-FM	 N-140-60FSWH-FM	 N-620-63FSWH-FM	 N-360-62FSWH-FM N-361-67FSWH-FM
 N-780-59FSWH-FM N-781-67FSWH-FM	 N-160-60FSWH-FM	 N-660-59FSWH-FM N-661-67FSWH-FM	 N-580-62FSWH-FM N-581-66FSWH-FM
 N-260-66FSWH-FM N-261-62X30FSWH-FM N-262-58FSWH-FM N-263-62X31FSWH-FM	 N-420-63FSWH-FM N-421-67FSWH-FM N-422-70FSWH-FM	 N-680-59FSWH-FM N-681-67FSWH-FM	 N-800-67FSWH-FM N-801-59FSBL-FM N-802-67FSBL-FM N-803-59FSWH-FM
 N-560-59FSWH-FM N-561-67FSWH-FM N-562-71FSWH-FM	 N-760-63FSWH-FM	 N-700-59FSWH-FM N-701-67FSWH-FM	 N-840-59FSWH-FM N-841-67FSWH-FM
 N-300-59FSWH-FM N-301-69FSWH-FM	 N-540-62FSWH-FM N-541-67FSWH-FM N-542-70FSWH-FM	 N-320-60FSWH-FM N-321-70FSWH-FM	 N-820-59FSWH-FM N-821-63FSWH-FM N-822-67FSWH-FM



Model:A1040-F+(A604)
pre-installed

Drain Models A1040-C are used with below bathtub models

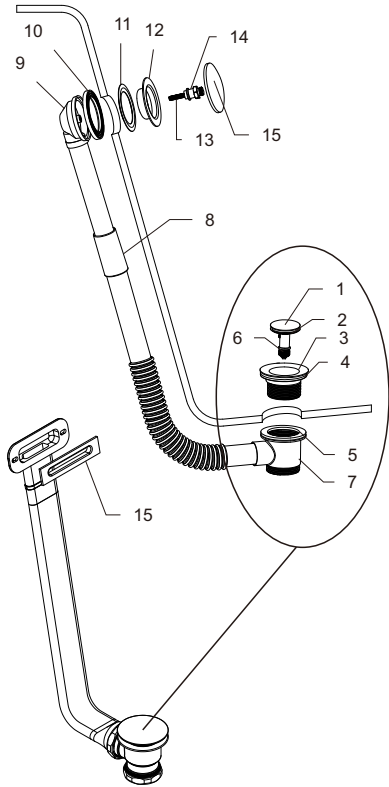
 N-240-60FSWH-FM	 N-460-63FSWH-FM	 N-281-67FSWH-FM N-280-59FSWH-FM	 N-820-59FSWH-FM N-821-63FSWH-FM N-822-67FSWH-FM
 N-720-60FSWH-FM N-721-67FSWH-FM	 N-740-67FSWH-FM N-741-63FSWH-FM	 N-280-59FSWH-FM	 N-820-59FSWH-FM N-821-63FSWH-FM N-822-67FSWH-FM



pre-installed Model:A1040-C

Internal Drain Configuration

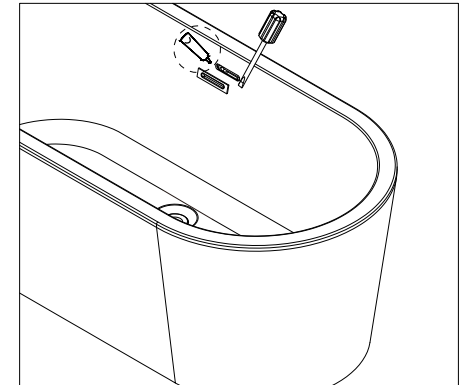
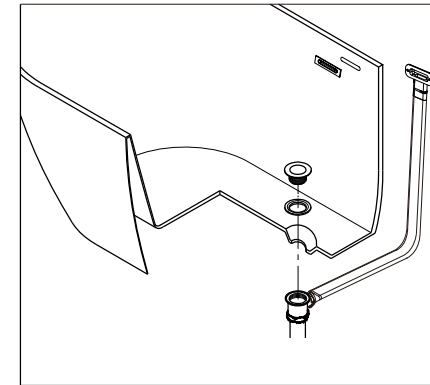
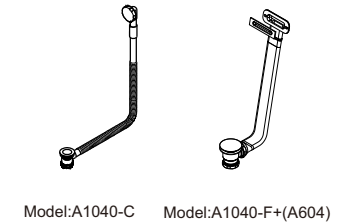
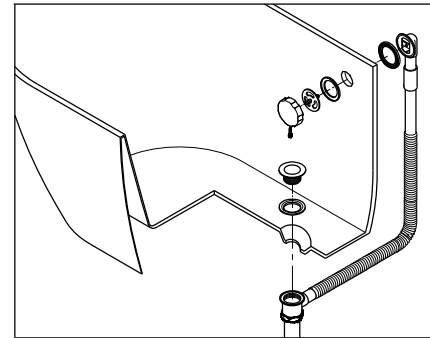
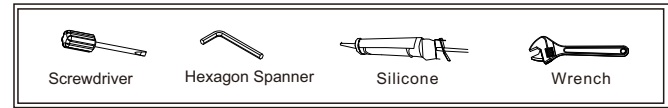
Model:A1040-C



Model:A1040-F+(A604)

No.	ITEM	Qty
1	Pop-up cover	1
2	O ring	1
3	Strainer	1
4	Rubber gasket	1
5	Flat rubber gasket	1
6	Cartridge	1
7	Tee	1
8	Coupling pipe	1
9	Overflow body	1
10	Backside gasket	1
11	Upper gasket	1
12	Strainer	1
13	Pin	1
14	Pin bolt	1
15	Overflow plate	1

Internal Drain and Overflow Installation



- Note:
1. The drain might have already been installed by the manufacturer before shipment.
 2. This drawing is showing how the drain connects to the bathtub only.