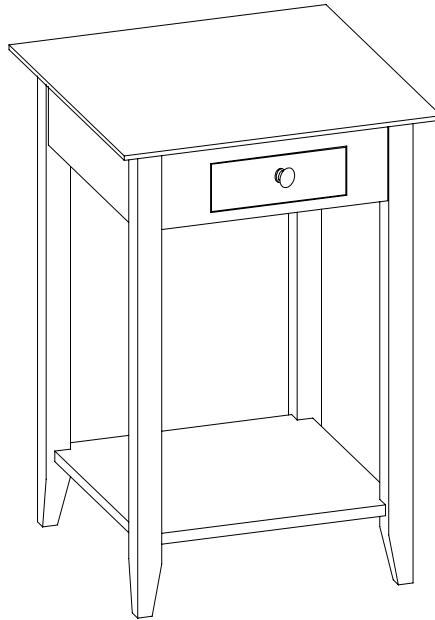


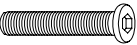


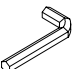




CONVENIENCE CONCEPTS

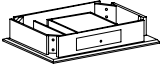



AH END TABLE WITH DRAWER AND SHELF ITEM NO. 7104077 7103049BL



HARDWARE LIST

| CODE | NAME | FIGURE | Q'TY |
|------|---------------------------------|---|------|
| A | CAM LOCK (15*9mmL) |  | 4PCS |
| B | CAM BOLT (6.5*35mmL) |  | 4PCS |
| C | ALLEN SCREW (Ø1/4*45mmL) |  | 8PCS |
| D | WASHER (Ø1/4*16mmL) |  | 8PCS |
| E | LOCK WASHER (Ø1/4*11*1.5mmL) |  | 8PCS |
| F | ALLEN WRENCH (4*21*57mmL) |  | 1PC |
| G | HANDLE |  | 1PC |
| H | SCREW (Ø9*25mmL) |  | 1PC |

PARTS LIST

| CODE | NAME | FIGURE | Q'TY |
|------|--------------|---|------|
| 1 | TOP PANEL |  | 1PC |
| 2 | BOTTOM PANEL |  | 1PC |
| 3 | LEG |  | 4PCS |
| 4 | COLOR STICK |  | 1PC |



Please do not return to the store

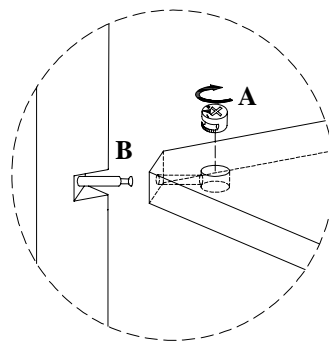
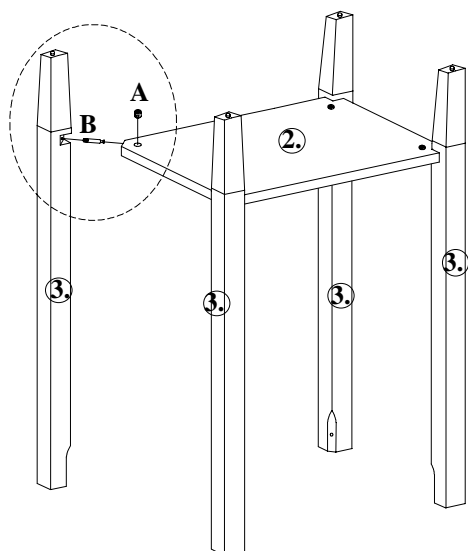
. Broken or Missing Parts?

. Need help with Assembly?

If you have any questions just call 1-800-468-6447 or email us at

parts@convenience-concepts.com

1. SCREW CAMBOLTS (B) INTO LEGS (3) AND PLACE CAMLOCKS (A) INTO BOTTOM PANEL (2).



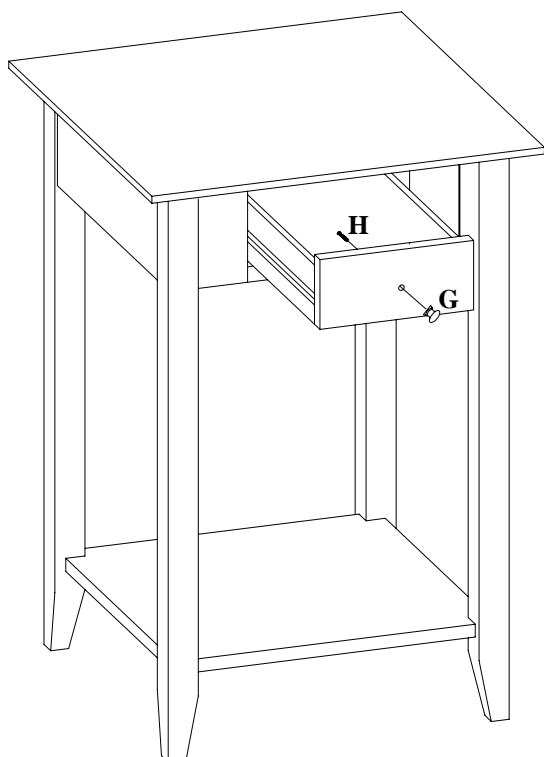
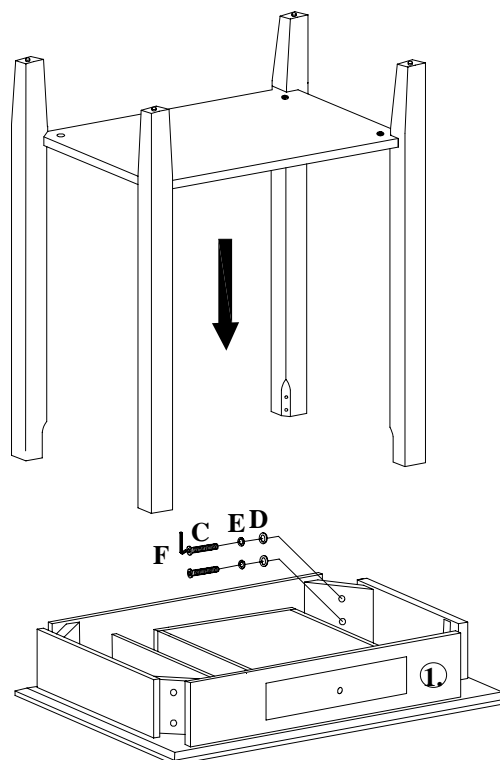
*ARROW ON CAMLOCK FACES SCREWHOLE
INSERT LEG AND LOCK INTO POSITION
BY TURNING CAMLOCK CLOCKWISE

HARDWARE
NEEDED

| |
|-------|
| A x 4 |
| B x 4 |

STEP 1

2. PLACE LEG ASSEMBLY ONTO
TOP PANEL (1) AND FASTEN WITH ALLEN
SCREWS (C) AND WASHERS (D) AND (E).



HARDWARE
NEEDED

| |
|-------|
| C x 8 |
| D x 8 |
| E x 8 |
| F x 1 |

STEP 2

HARDWARE
NEEDED

| |
|-------|
| G x 1 |
| H x 1 |

STEP 3