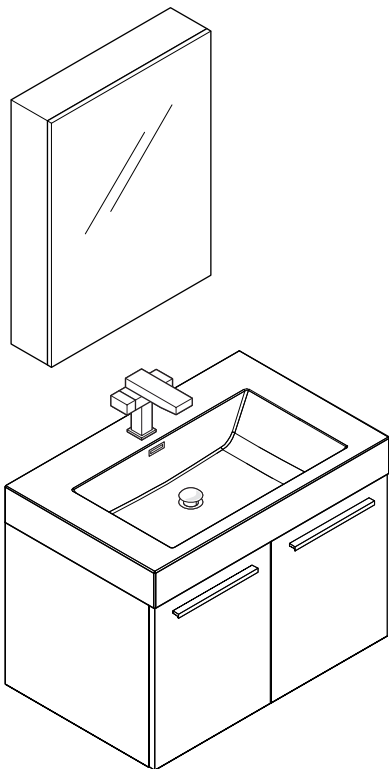
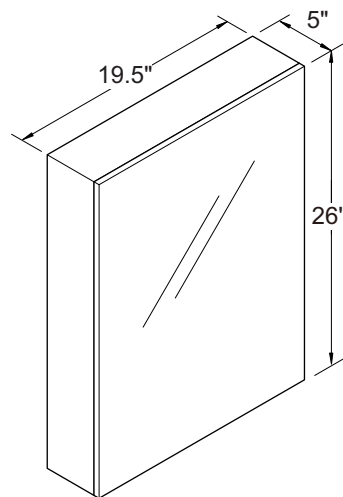


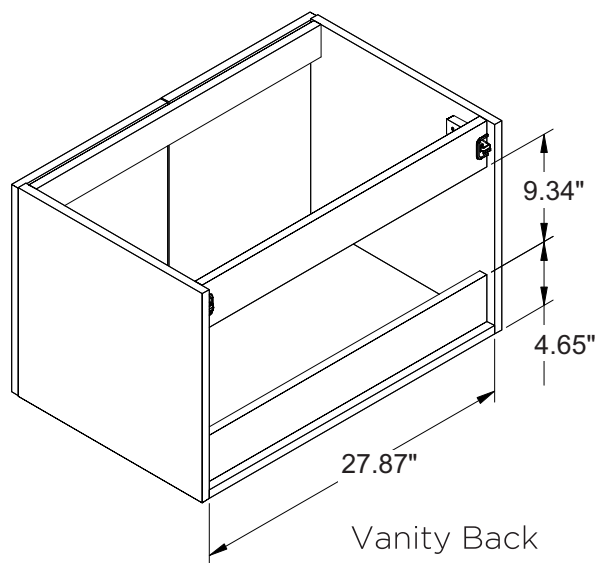
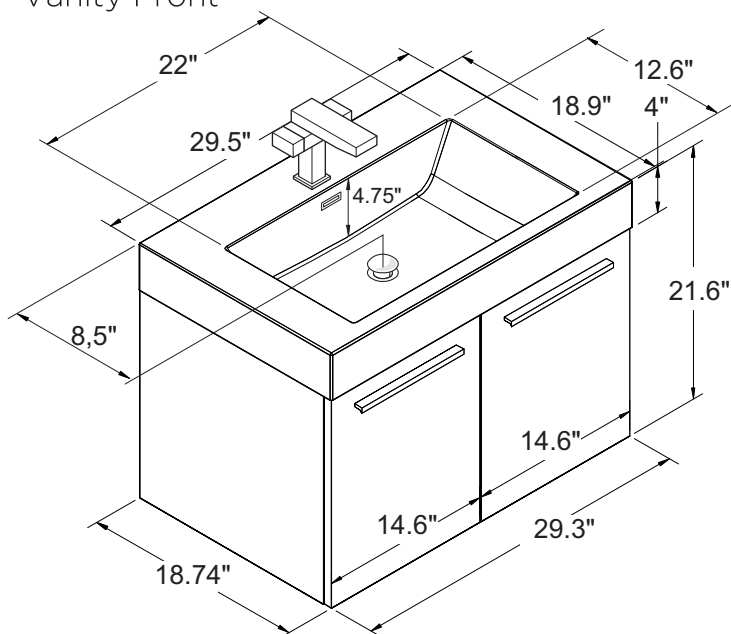
FVN8089
VISTA
INSTALLATION GUIDE



Medicine Cabinet

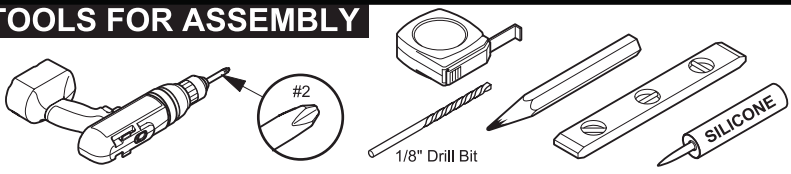


Vanity Front

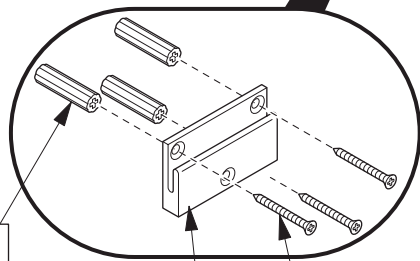
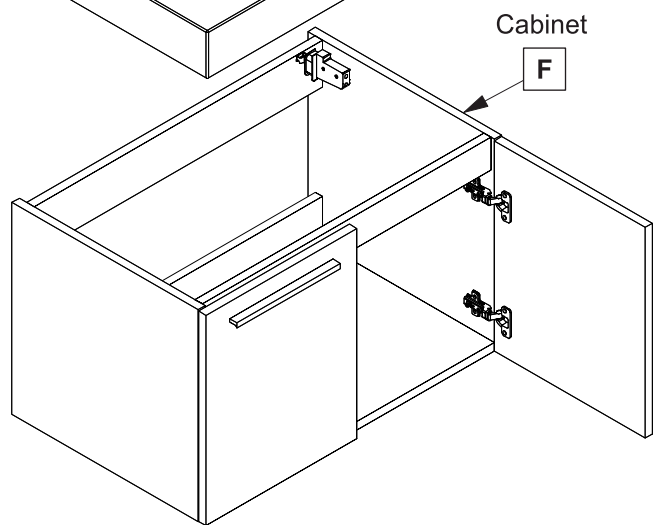
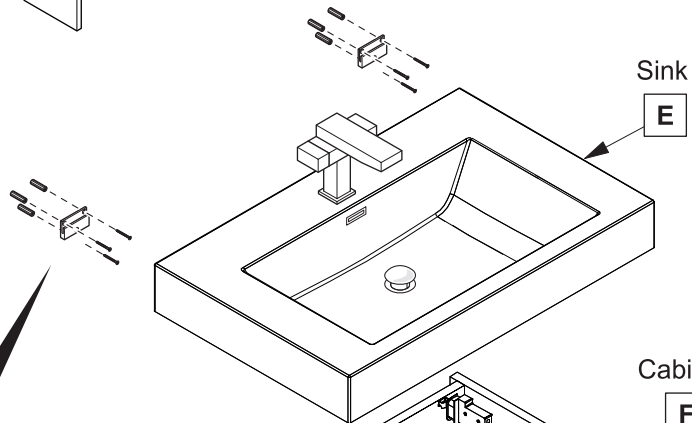
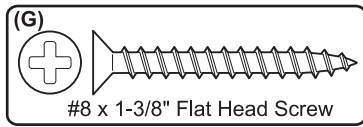
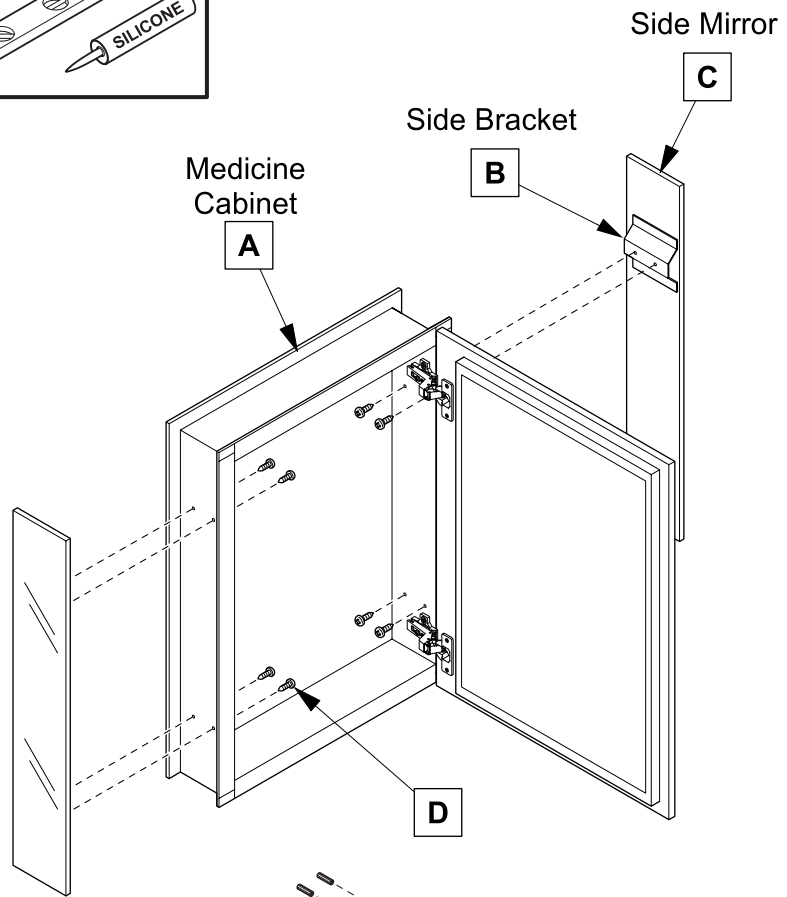
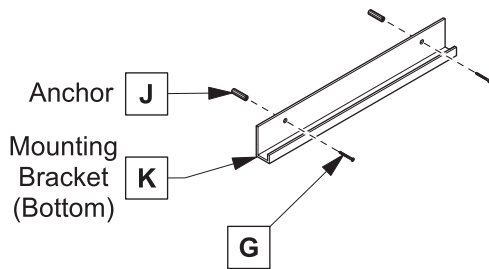
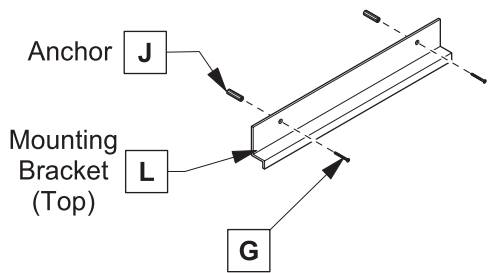


ALL DIMENSIONS & SPECIFICATIONS
 ARE APPROXIMATE AND SUBJECT TO
 CHANGE WITHOUT NOTICE.

TOOLS FOR ASSEMBLY



PARTS



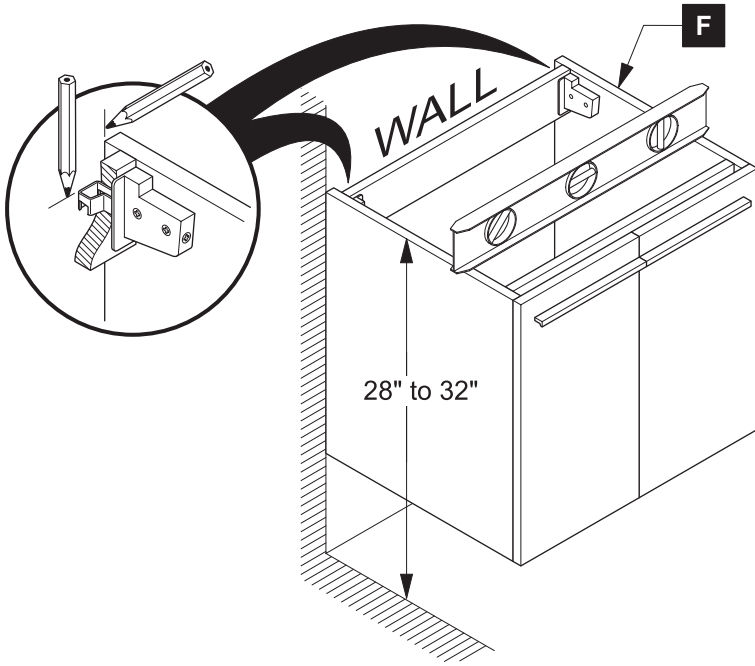
Anchor **J**

NOTE: Only use anchors (**J**) if stud is not available.

Wall Bracket **H**

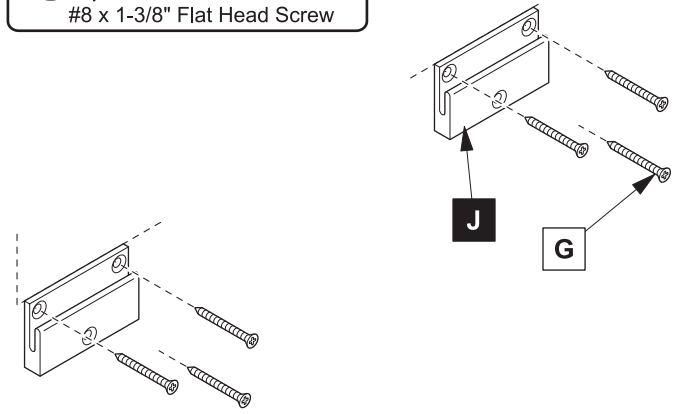
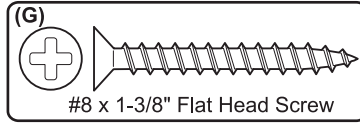
Screw **G**

1 Locate cabinet (F) & mark location on the wall

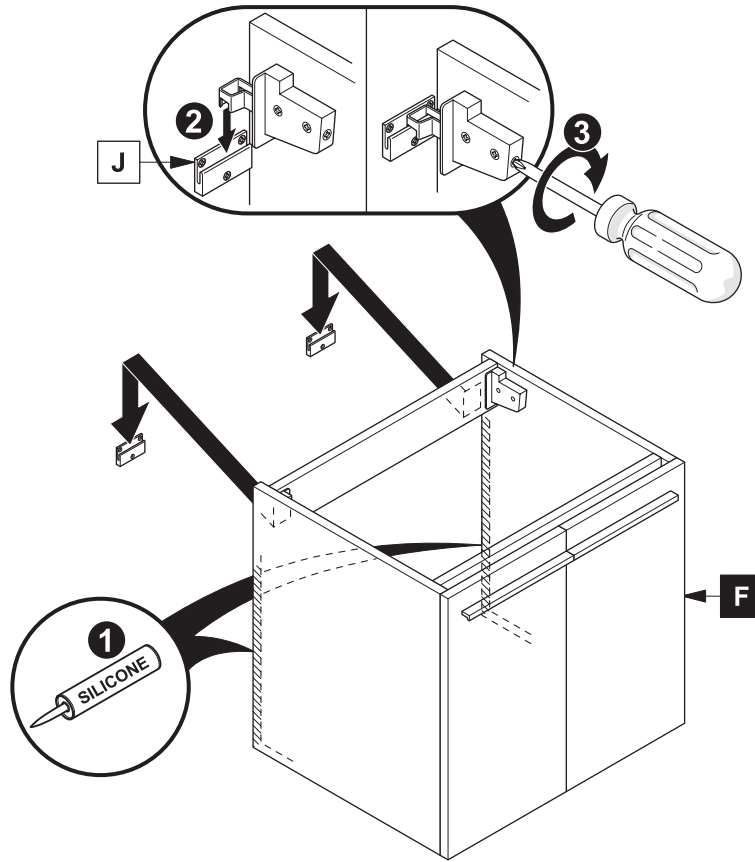


2 Install wall brackets (J)

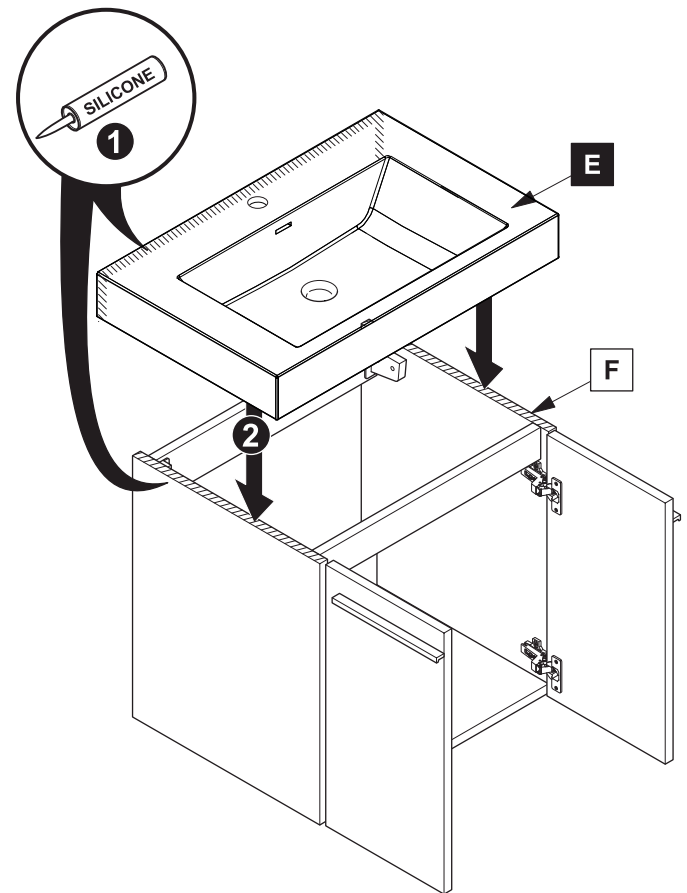
IMPORTANT: Consult an expert for the proper screws / bolts to use when attaching to various wall constructions. Screws provided *do not* attach to all wall construction types.



3

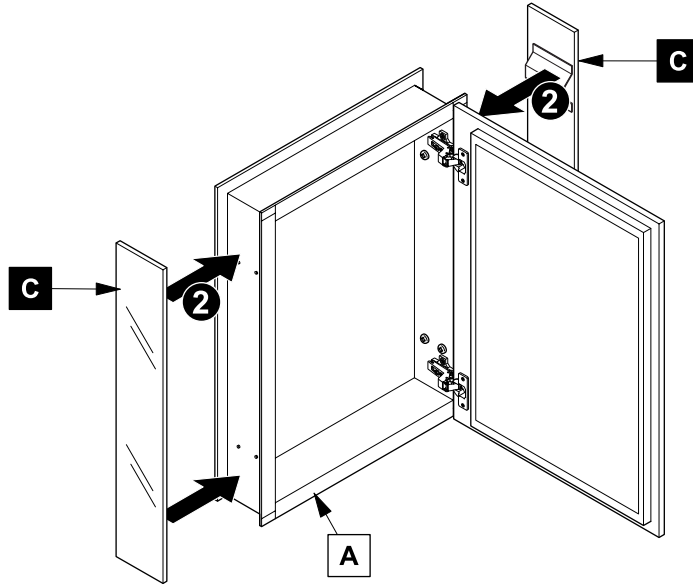


4 Apply silicone and install sink (E)

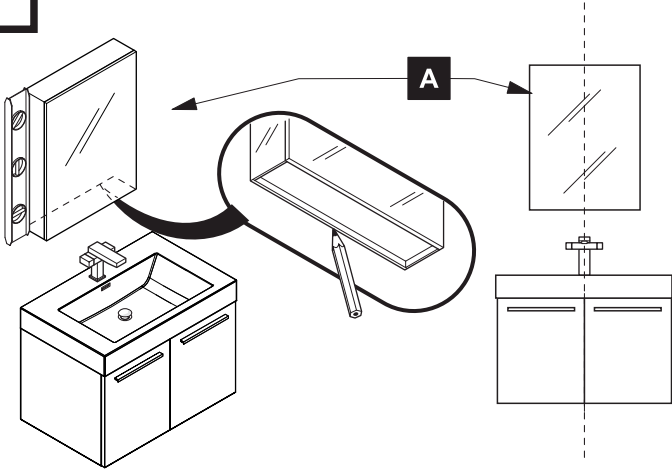


MEDICINE CABINET INSTALLATION

1 Install side mirrors (C)

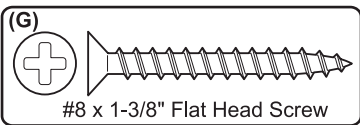
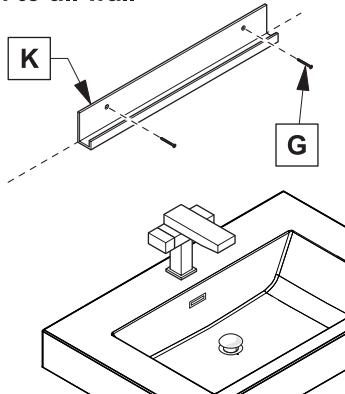


2 Mark cabinet (A) location

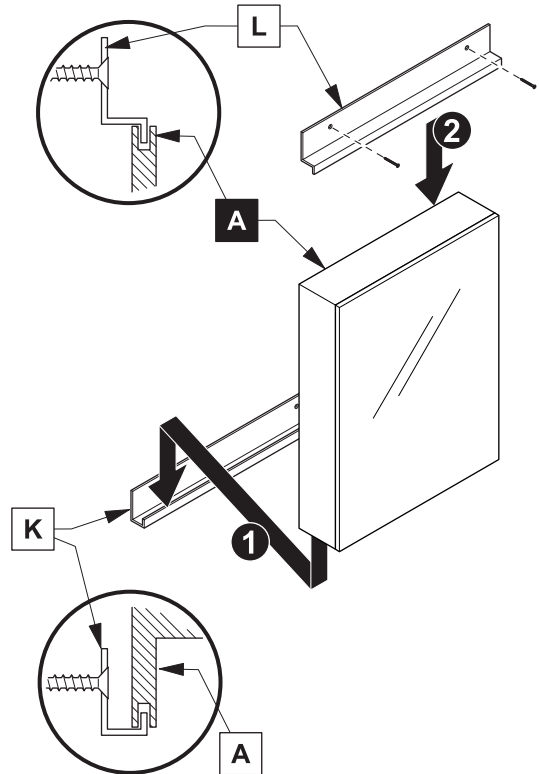
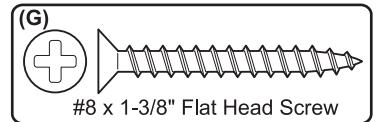


3 Install bottom bracket (K)

IMPORTANT: Consult an expert for the proper screws/bolts to use when attaching to various wall constructions. Screws provided do not attach to all wall construction types.



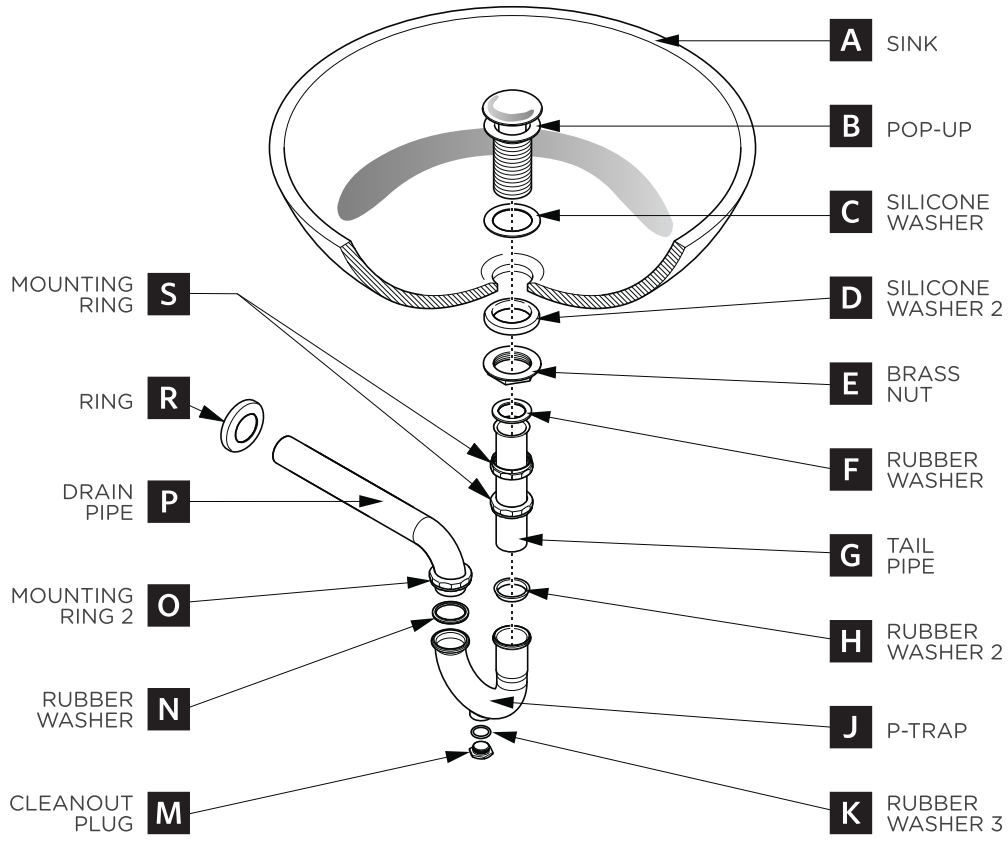
4 Install cabinet (A) and top bracket (L)



P-TRAP & POP-UP

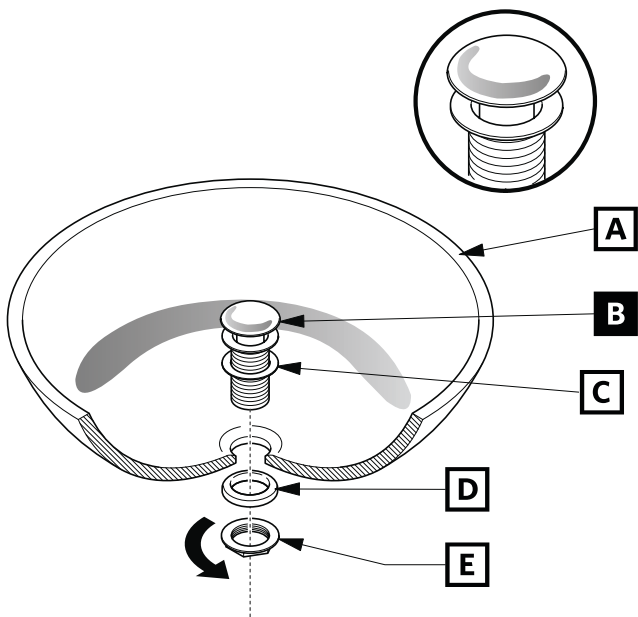
INSTALLATION INSTRUCTIONS

Your item may appear slightly different from the illustration.



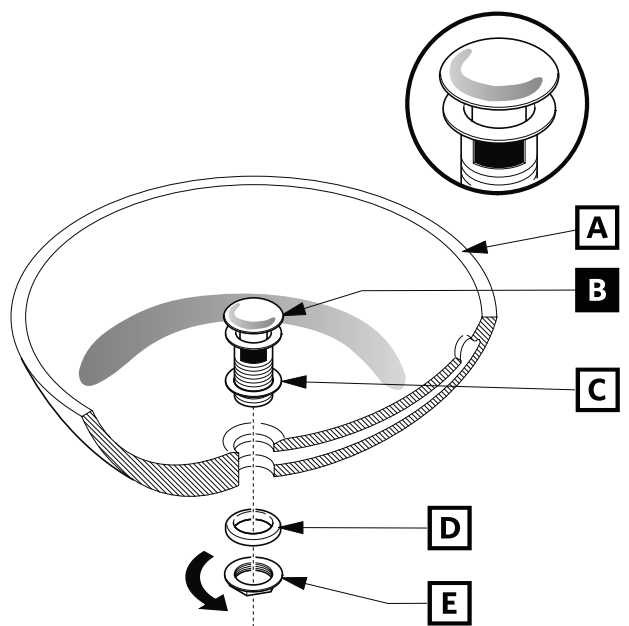
POP-UP INSTALLATION

FOR SINKS WITHOUT OVERFLOW



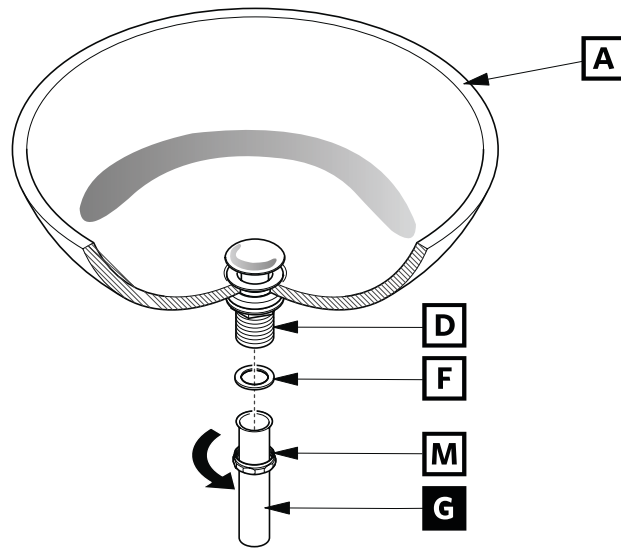
OR

FOR SINKS WITH OVERFLOW



P-TRAP INSTALLATION

1. Install tail pipe (G)



2. Install P-trap (J)

