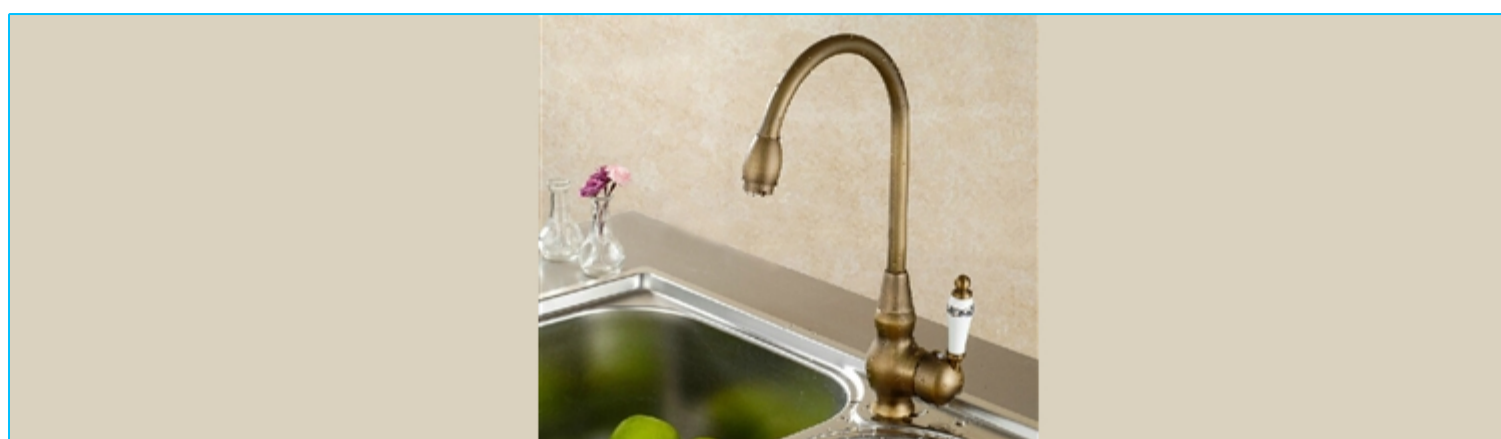
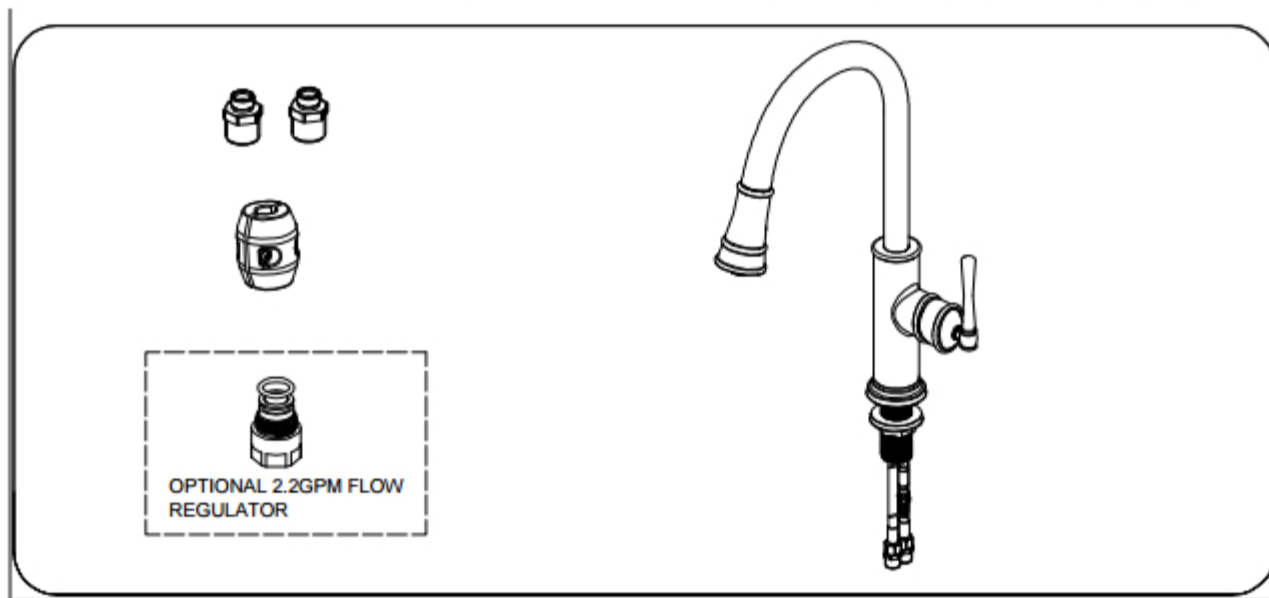
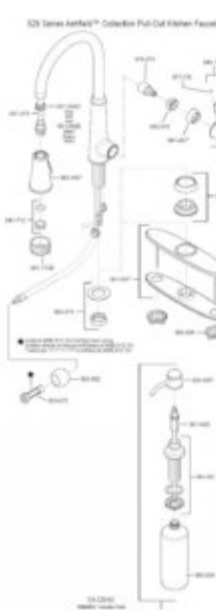


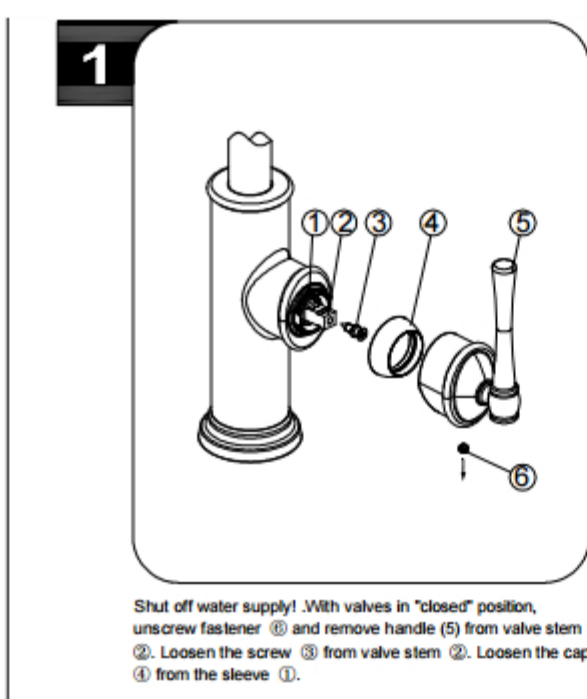
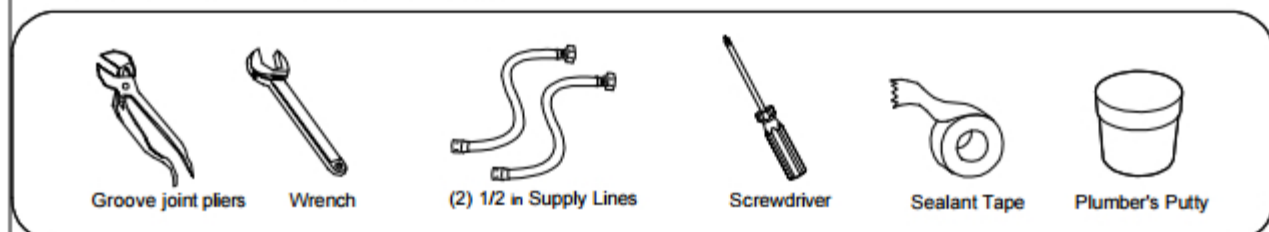
# Billa Antique Brass & Ceramic Faucet Deck Mounted Single Handle Kitchen Mixer Tap



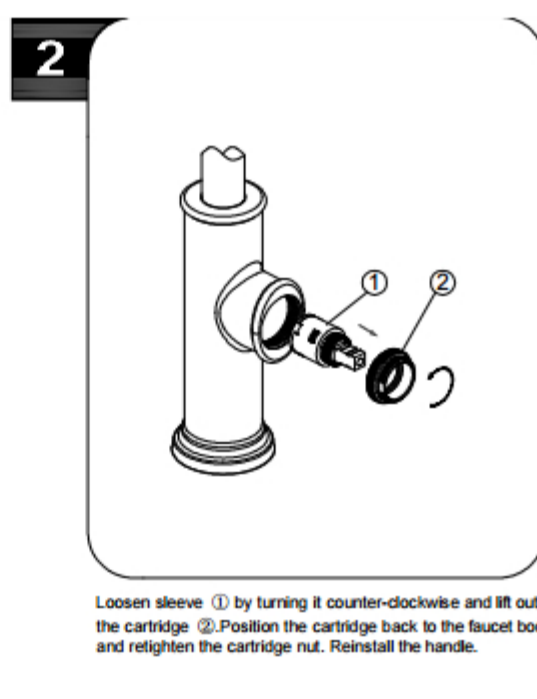
## INSTALLATION INSTRUCTIONS



### RECOMMENDED TOOLS:

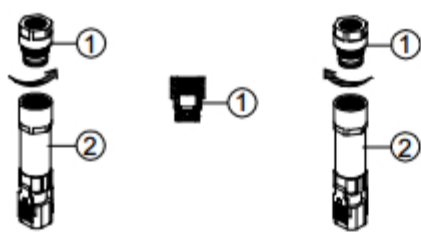


Shut off water supply! With valves in "closed" position, unscrew fastener ⑤ and remove handle ⑤ from valve stem ②. Loosen the screw ③ from valve stem ②. Loosen the cap ④ from the sleeve ①.



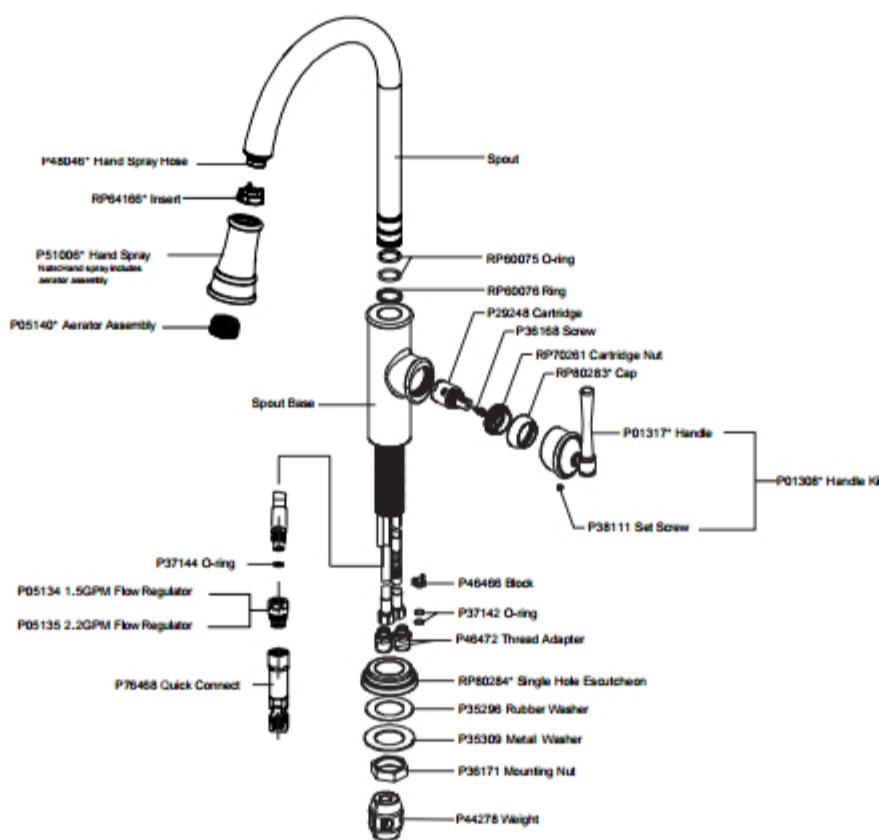
Loosen sleeve ① by turning it counter-clockwise and lift out the cartridge ②. Position the cartridge back to the faucet body and retighten the cartridge nut. Reinstall the handle.

### FLOW REGULATOR REPLACEMENT

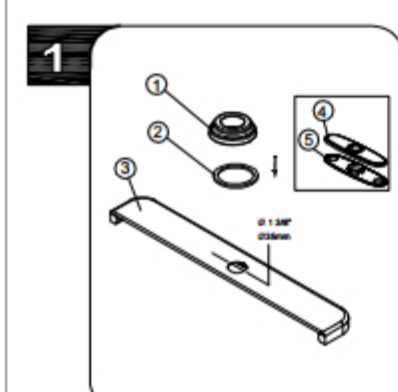


The faucet ships with a 1.5GPM aerator installed. An optional 2.2 GPM aerator is also included in the box. To switch the flow rate of the faucet:

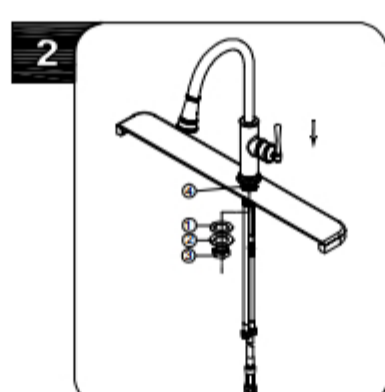
1. Disassemble the quick connect assembly by separating the connector ① and quick connect ②.
2. Replace 1.5 GPM connector (green) with the 2.2GPM connector.
3. Reinstall quick connect assembly.



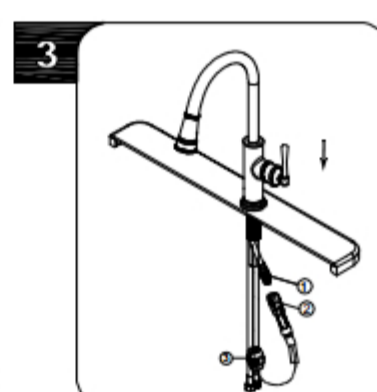
**NOTE: → REQUIRES FINISH DESIGNATION**



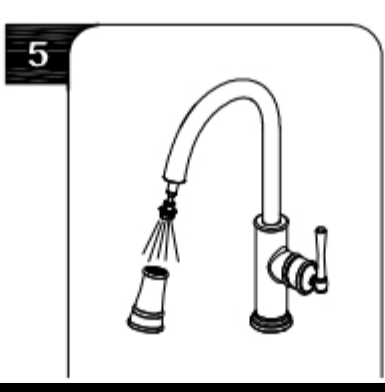
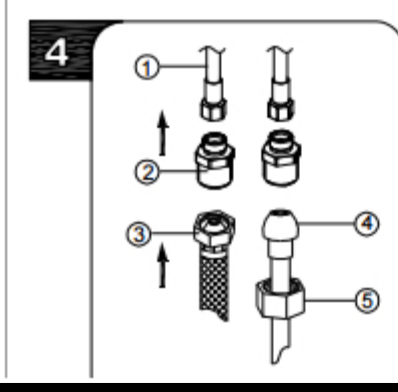
Shut off water supplies. Clean sink surface. Place washer ② and flange ① on the sink ③. If you do not use flange, please use escutcheon ④ and gasket ⑤ to replace flange and washer.



Place faucet through the hole in top of sink. From underside, assemble rubber washer ①, metal washer ② and nut ③ onto long shank ④ and tighten nut ③. Firmly tighten the nut ③ to metal washer ②. Do not overtighten.



From underneath the sink, align block ① and tabs ② on quick connects. Push quick connect firmly upward and snap onto receiving block. Pull down moderately to ensure connection has been made. If it is necessary to remove quick connect, squeeze tabs on hose between index finger and thumb, then pull down to disconnect. After connecting the hose, install the weight ③ at the lowest point of the hose.



This General diagram and installation instructions are not intended for any specific model, but is presented as a general guideline for Installations!