

## Features


- Magnifying Makeup Mirror
- With LED Light
- Battery Operated
- Automatic Off After 10 Minutes
- Magnification 5X
- Polished Chrome Finish, Solid Brass Base
- Free of Distortion

WS 83

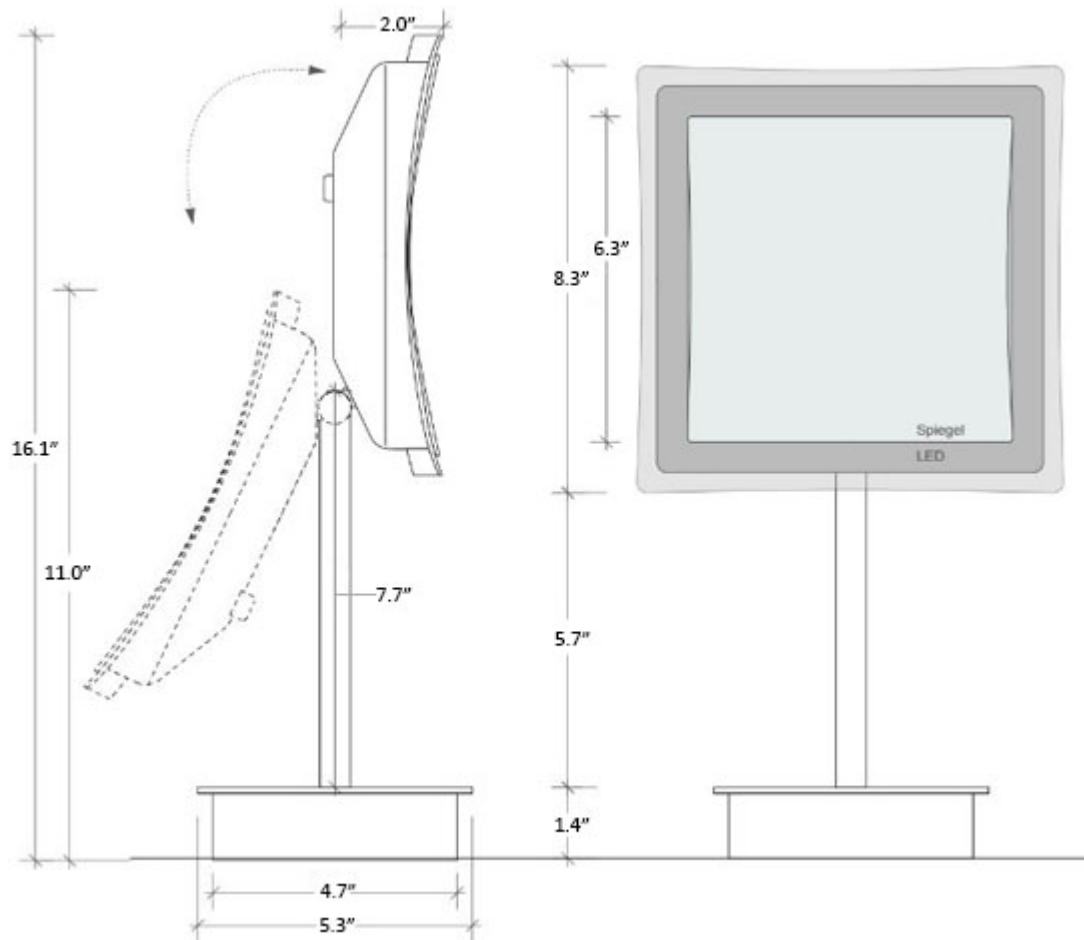


## SKU# | Option:

- WS 83 | Magnification 5X

<b>Collection</b> Spiegel	<b>Model  </b> WS 83	<b>Dimensions Metric</b> <i>1 inch = 2.54 cm</i> <i>1 inch = 25.4 mm</i>	 1051 Lea Drive - Collegeville, PA 19426 Tel. 215 513 9400 - Fax 610 831 0215 <a href="http://www.ws bathcollections.com">www.ws bathcollections.com</a> - <a href="mailto:info@ws bathcollectins.com">info@ws bathcollectins.com</a>
------------------------------	-------------------------	--	---

# Product Specs Sheets



Collection  
Spiegel

Model |  
WS 83

Dimensions Metric  
1 inch = 2.54 cm  
1 inch = 25.4 mm

**WS**<sup>®</sup>  
BATH  
COLLECTIONS

1051 Lea Drive - Collegeville, PA 19426  
Tel. 215 513 9400 - Fax 610 831 0215  
[www.ws bathcollections.com](http://www.ws bathcollections.com) - [info@ws bathcollections.com](mailto:info@ws bathcollections.com)

# Product Specs Sheets

Type of Mirror	Cosmetic Mirror Illuminated
Magnification	5 X
Shape	Square
Dimension	16.1" x Ø 8.3"
Dimension of Mirror	6.3" x 6.3"
Switching Function	On/Off Switch. Auto-off after 10 minutes. Includes 3 x AA batteries
Weight	2.9 LBS
Raw Material	Brass. Satinised Glass
Surface	Chrome
Lamp Details	36 x LED. 2.8W. 15000h
Lamp Color	5000 K
Location	Indoor



Collection  
Spiegel

Model |  
WS 83

Dimensions Metric

*1 inch = 2.54 cm*  
*1 inch = 25.4 mm*

**WS**<sup>®</sup>  
**BATH**  
**COLLECTIONS**

1051 Lea Drive - Collegeville, PA 19426  
Tel. 215 513 9400 - Fax 610 831 0215

[www.ws bathcollections.com](http://www.ws bathcollections.com) - [info@ws bathcollections.com](mailto:info@ws bathcollections.com)