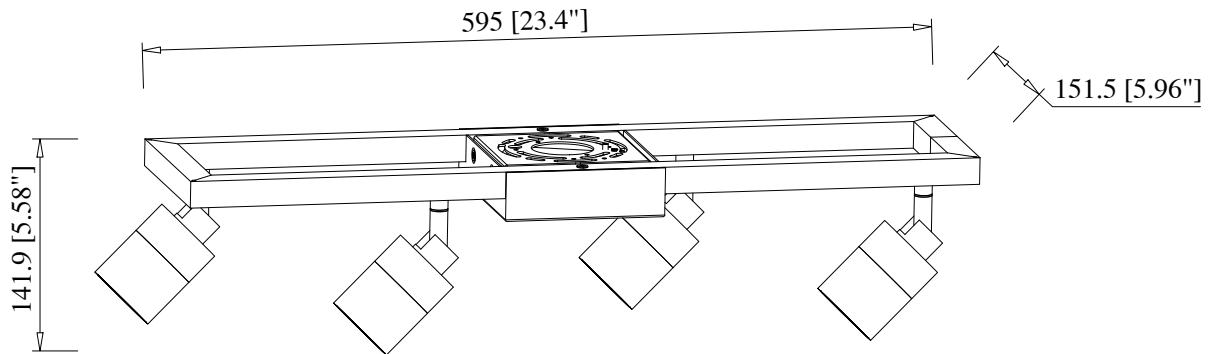
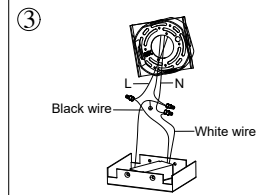
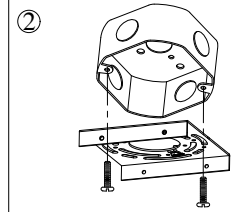
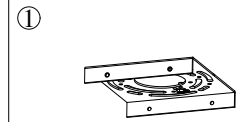
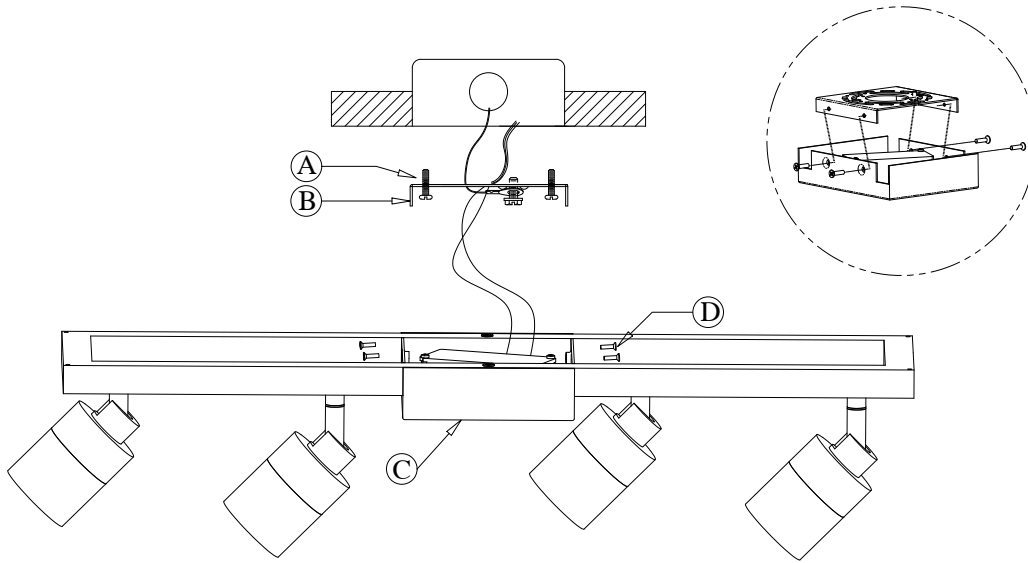


# DIAGRAM OF INSTALLATION STRUCTURE

SKU No. :CE1008789 & CE1008790 & CE1008791 Product Size: L23.4"\*W5.96"\*H5.58"

Light Source: COB



Ⓐ Mounting Screw

Ⓑ Mounting Bracket

Ⓒ Canopy&Lamp Assembly

Ⓓ Flat Screw

## Installation instruction

1. Turn off the power.
2. Dismantle mounting bracket subassembly as picture(1), install mounting bracket(B) to J-Box with mounting screws(A).
3. Connect the fixture to a suitable ground in accordance with local electrical codes.
4. Connect the White wire to the neutral power line wire with a wire nut.
5. Connect the Black wire to the hot power line wire with a wire nut.
6. Neatly place all wires and wire nut connections inside the J-box.
7. Install canopy&Lamp assembly(C) to ceiling with flat screw(D).
8. Turn on the power.