

Pull-Down Spray Kitchen Faucet

Model: VG02021

FEATURES

- Solid brass construction
- Spray face that resist mineral build up
- Finish resist corrosion and tarnishing
- Ceramic disk cartridge
- Single hole construction
- 360° Swivel
- Single lever sprayer

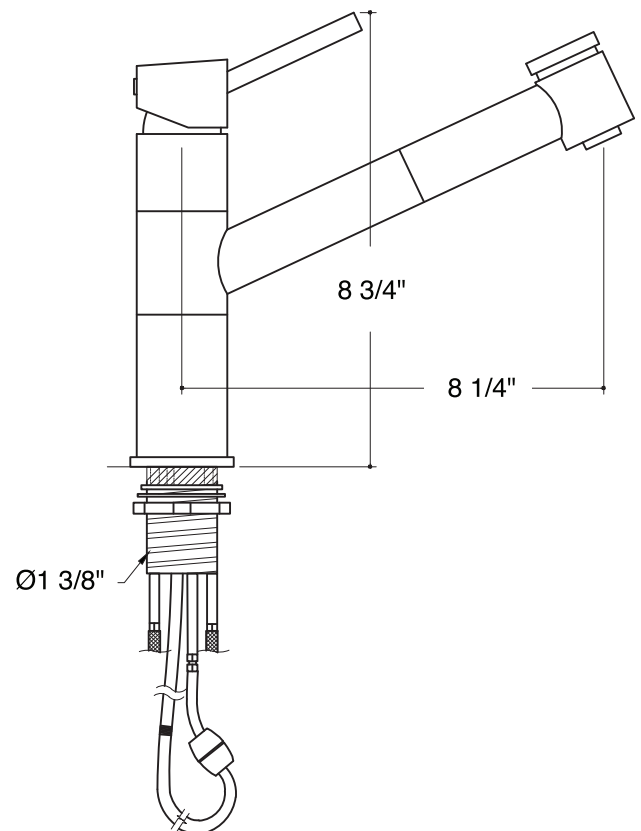
PACKING LIST

- Faucet Assembly
- Sprayer
- Allen Key
- Two Metal Braided Hoses
- Weight
- Plastic Holder



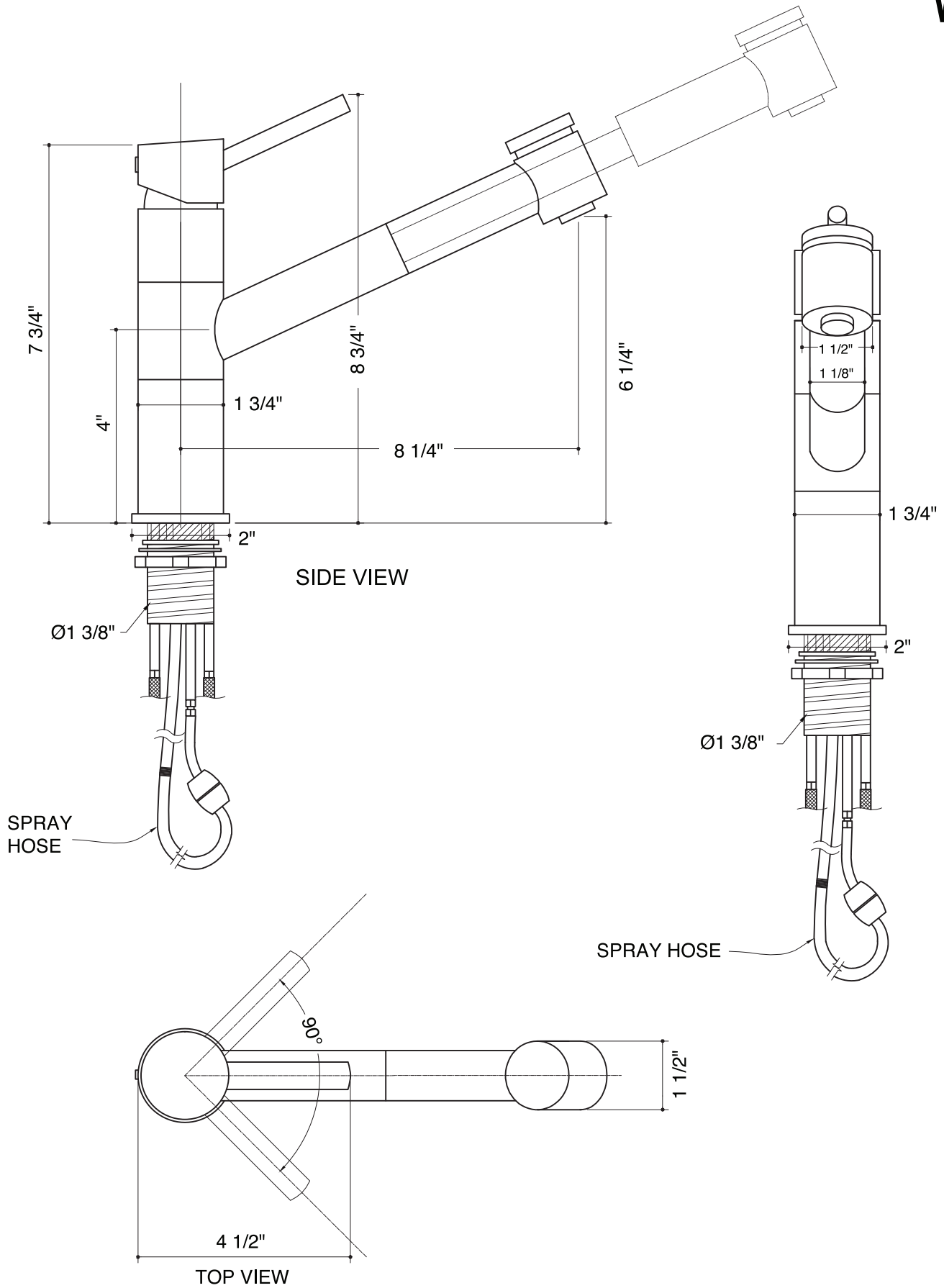
DIMENSIONS

MODEL #	HOLE DIAMETER	FAUCET HEIGHT	SPOUT REACH
VG02021	1 3/8"	8 3/4"	8 1/4"

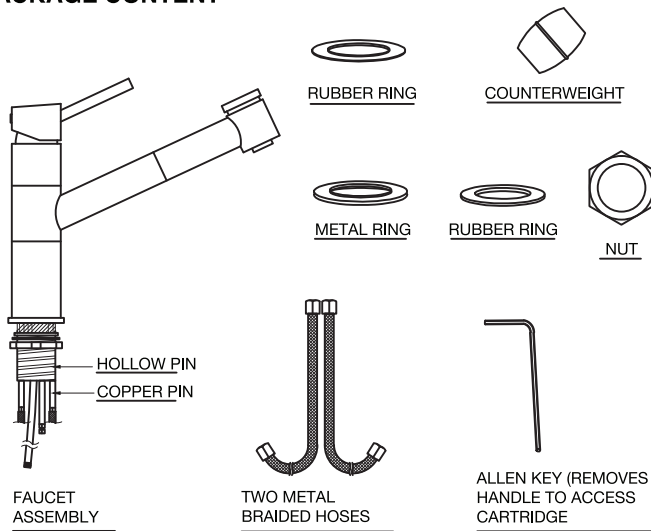


* = +/- 1"





PACKAGE CONTENT



REQUIRED TOOLS

Adjustable wrench
 Allen key - supplied (to remove cartridge if needed)
 Plumber's putty - optional
 Pipe tape
 Flat screwdrivers

SAFETY TIPS

If you use soldering for the installation of the faucet, the seats, cartridges and washers will have to be removed before using flame. Damage caused by improper soldering will void the warranty. Protect your eyes with safety glasses when cutting or soldering water supply lines.

IMPORTANT POINTS

Prior to beginning installation, turn off the cold and hot water lines and open the hot and cold knobs on the old faucet to release pressure. When installing your new faucet, turn the connector nuts finger-tight, then use one wrench to anchor the fitting and a second wrench to tighten the nut. Connections that are too tight will reduce the integrity of the system, and potentially cause product failure which could lead to water damage. Wrap all threaded connections with pipe tape available at your local hardware or plumbing supply store. Always wrap in a clockwise direction.

Not all necessary supplies to install your faucet are included, however, they are available wherever plumbing supplies are sold.

Prior to installing the faucet please FLUSH THE HOT AND COLD WATER SUPPLY LINES that are or will be connected to the new faucet to remove scale, solder or their impurities which could damage the faucet and potentially void the warranty.

MAINTENANCE

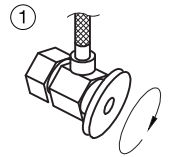
Your new faucet is designed for years of trouble-free performance. Keep it looking new by cleaning it periodically with a soft cloth. Avoid abrasive cleaners, steel wool and harsh chemicals as these will scratch, dull, and/or damage the finish and void the warranty.

INSTALLATION

Installation must be done by a qualified licensed plumber. Prior to installation please read the instructions thoroughly, confirm that all parts are included and visually inspect the unit for any defects. If you have any questions please contact our Technical Support Department before proceeding with installation.

ASSEMBLY

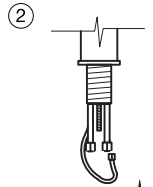
1. Shut off water supply. Remove the old faucet and flexible hoses. Clean sink surface with a non-abrasive cleaner in preparation for the new faucet.



2. Thread female end of metal braided hose to the faucet (2).



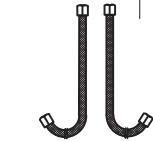
Ensure that you use pipe tape and do not over tighten the supply line nuts as this could cause product failure leading to water damage.



3. Position the faucet in the countertop hole, from beneath the countertop hole assemble the plastic holder, rubber ring, and metal ring in the order depicted in the diagram. Then thread the metal nut onto the hollow pin. Tighten the metal nut until the faucet is secure.



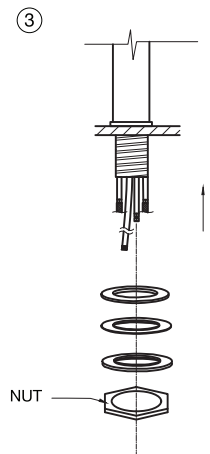
Ensure that parts are assembled in the order as depicted in the diagram to prevent damage to faucet and supply lines.



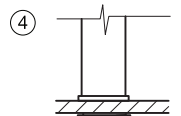
4. Screw spray hose to the copper pin (the longest pin). Make sure to have a tight seal using adjustable wrench. Attach supplied counterweight to the hose.



Do not over tighten connect point as this could cause product failure leading to water damage.



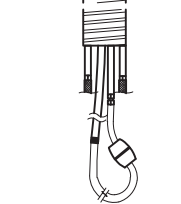
5. (if not done already) attach sprayer to female connection of sprayer hose by hand and tighten until secure. Make sure the black washer is seated and installed properly.



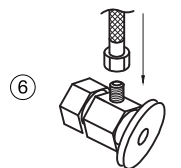
6. Attach the female connections of the flexible hoses to the cold and hot water supply.



Ensure that you use pipe tape and adjustable wrench, do not over tighten as this could cause product failure leading to water damage.



7. After installation is complete, turn on the water supply and allow both hot and cold water to run separately for at least two minutes each. While water is running, check for leaks. It is important to view the connections at the male and female flexible hose connections. If leaks are detected, refer back to the instructions and adjust accordingly. Tightening nuts slightly may stop any minor leaks.



TROUBLESHOOTING

PROBLEM	POTENTIAL CAUSE	CORRECTIVE ACTION
1 - Leaks from handle	1.A - Cartridge unseated	1.A - Remove cartridge from housing, was thoroughly with hot water and reseal in housing. 1.B - Contact VIGO Technical Support for replacement.
2 - Insufficient flow rate	1.B - Cartridge defective	
3 - Leak at connection points	2.A - Dirty aerator	2.A - Remove and soak / clean with a non abrasive agent (i.e. vinegar). 2.B - Remove sprayer or supply line and flush lines
4 - Loose faucet body	2.B - Clog in supply hose / line	
5 - Sprayer button stops working	3.A - Sprayer hose not tight	3.A - Remove spiral neck by loosening the metal screw and pulling up on the spiral neck exposing the spray hose. Make sure the washer is seated properly and retighten with an adjustable wrench. 3.B - Tighten hoses. If this does not resolve the issue, remove the flexible hose and rethread, checking to make sure the connection is secure. Make sure to use pipe tape.
	3.B - Flexible hose leaking at body or connection point	
	4 - Metal screw is not locked into internal white washer hole location	4 - Loosen metal screw, lift off the spiral neck and reseal making sure to thread the metal screw into the white washer housing.
	5.A - Debris in aerator	
	5.B - Wear and tear on button	5.A - Remove and clean aerator. 5.B - Contact VIGO Technical Support for replacement.

PARTS LIST - For any parts needed but not shown, please contact VIGO Technical Support

PART	PART #	SUPPLY DATE INDICATOR (INTERNAL USE ONLY)
Pull out Hose (black nylon)	74000W	W
Sprayer	74025	W
Handle Lever	78070B	W
Handle Button	78009B	W
Handle Set Screw	78070A	W
Handle	74035	W
Sedal Cartridge	74026	W
Metal braided Hose	74020	W
Sprayer Washer	74008	W
Black Washer with Screen	74010	W

TOLL FREE: (866) 591 - 7792

E-Mail: techmail@vigoindustries.com

www.vigoindustries.com

Robinet de cuisine à vaporisateur escamotable Modèle VG02021

CARACTÉRISTIQUES

- Fabriqué en laiton massif
- Tête de vaporisateur spirale abaissable
- Face de vaporisateur qui résiste à l'accumulation de minéraux
- Finition qui résiste à la corrosion et au ternissement
- Cartouche à disque de céramique
- Construction mono-trou
- Pivotement 360°
- Vaporisateur levier simple

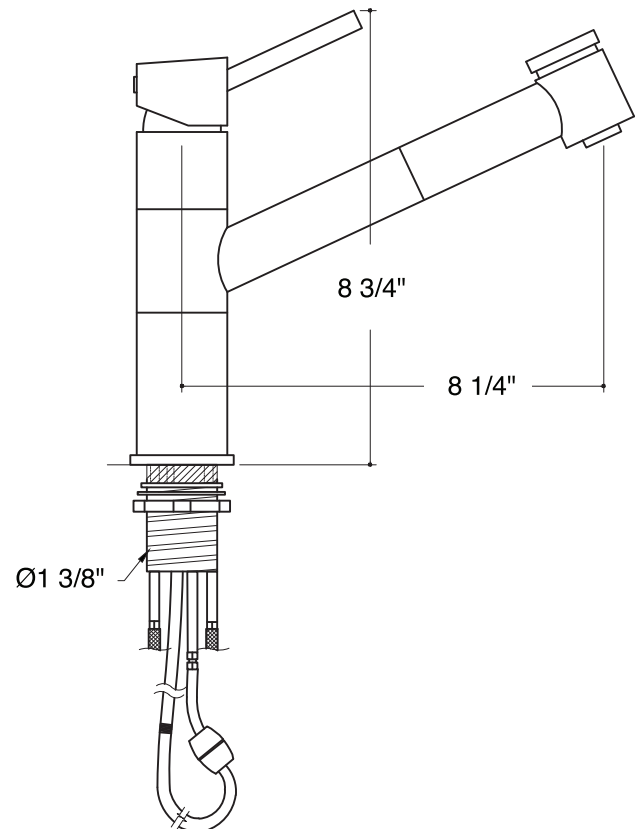
LISTE D'EMBALLAGE

- Ensemble Robinet
- Vaporisateur
- Clé Allen
- Deux tuyaux en métal tressé
- Poids
- Support en plastique



DIMENSIONS

MODEL #	TROU DIAMÈTRE	ROBINET HAUTEUR	VAPORISATEUR PORTÉE
VG02021	1 3/8"	8 3/4"	8 1/4"



* = +/- 1"

