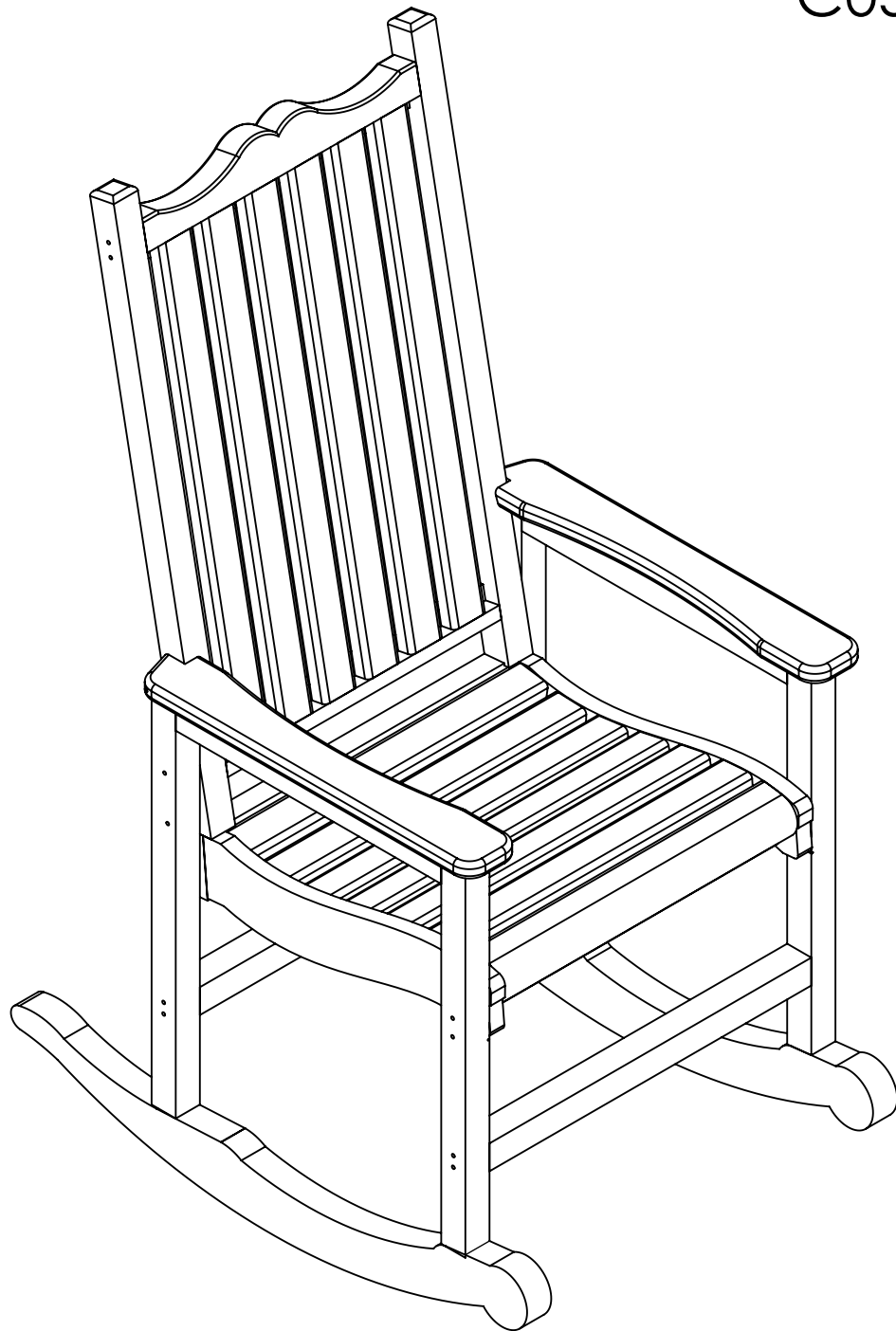




Generation Line

BY C.R. PLASTIC PRODUCTS INC.

C05

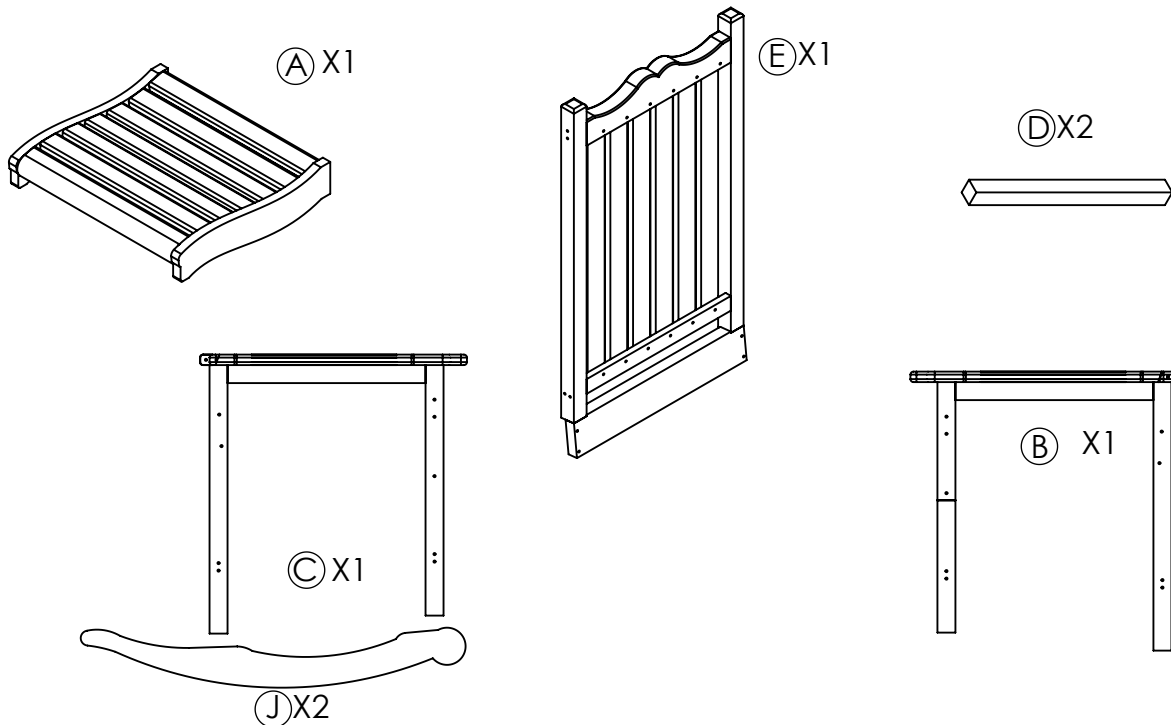




Generation Line

BY C.R. PLASTICS PRODUCTS INC

C05



1/4-20X50mm
BC COMMON BOLT

(H) X4

5/32" HEX ALLEN KEY

(I) X1



#2

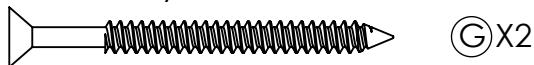


PLEASE DO NOT OVER TIGHTEN SCREWS

2 1/2" / 64mm



2" / 50mm



800.490.1283

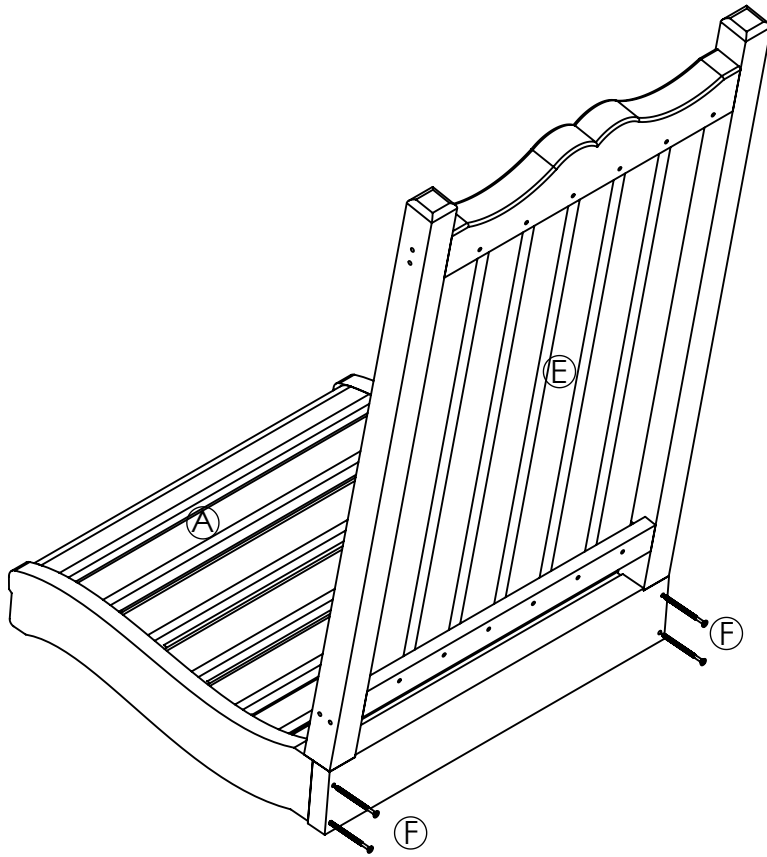


crpproducts.com

FAX 519.271.8544

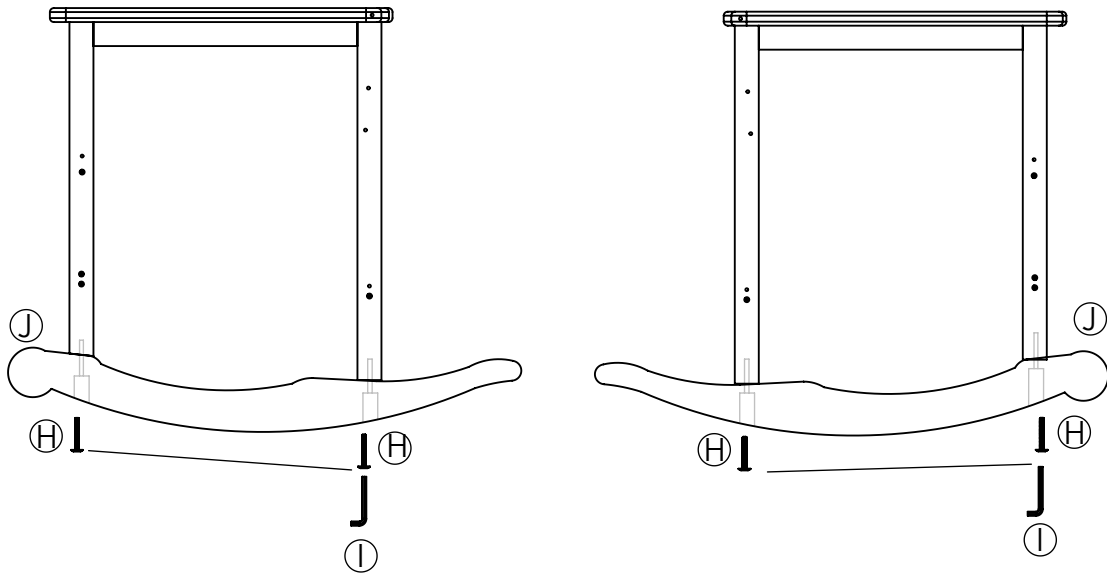
1

- ⒶX1
- ⒺX1
- ⒻX4

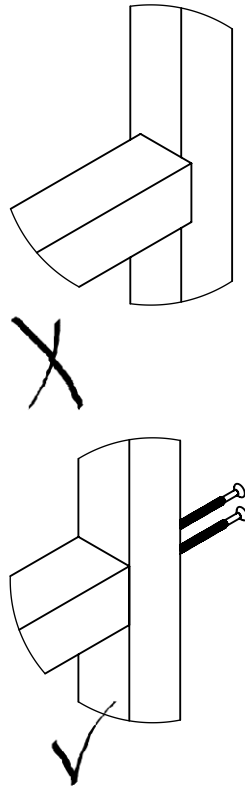
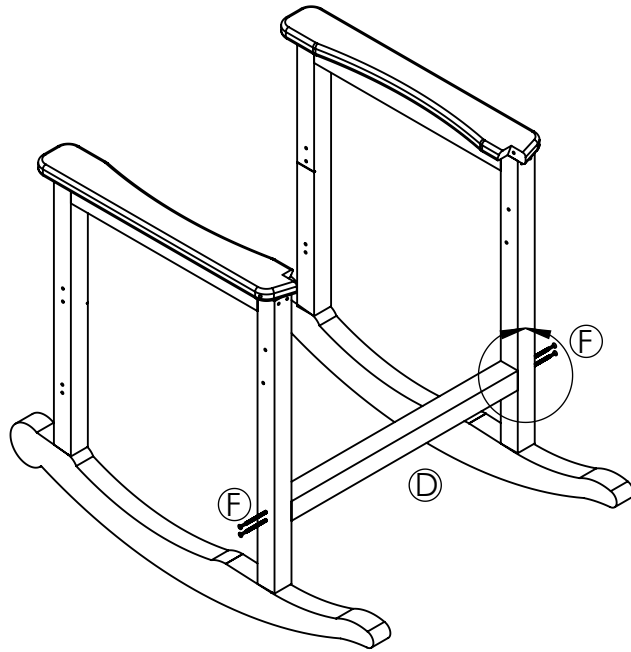


2

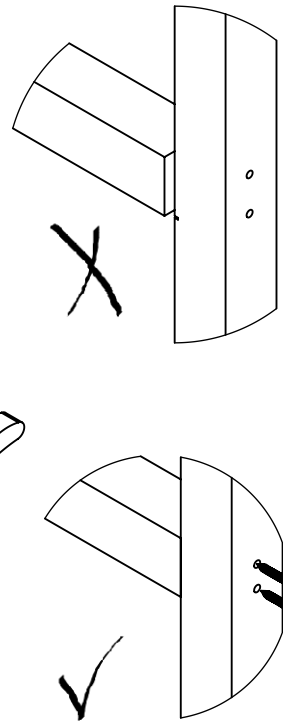
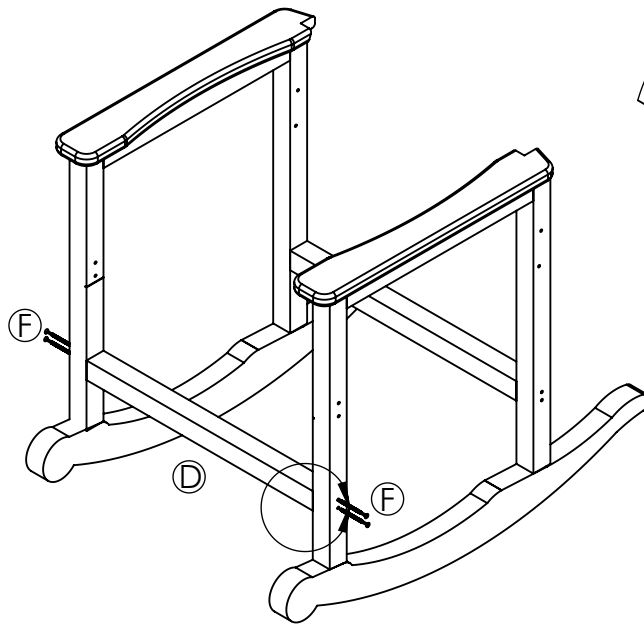
- ⒻX4
- ⓁX1
- ⓂX2



3 $\text{\textcircled{D}}$ X1
 $\text{\textcircled{F}}$ X4

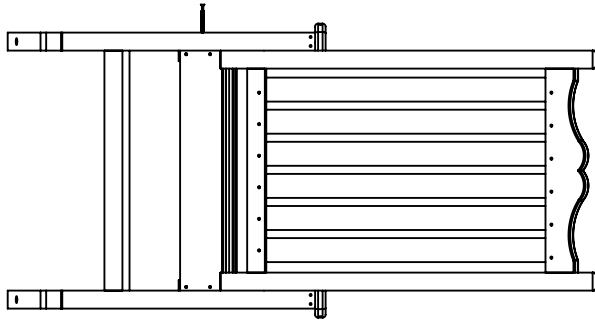


4 $\text{\textcircled{D}}$ X1
 $\text{\textcircled{F}}$ X4

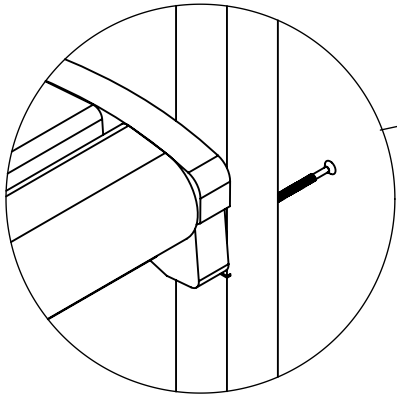


5

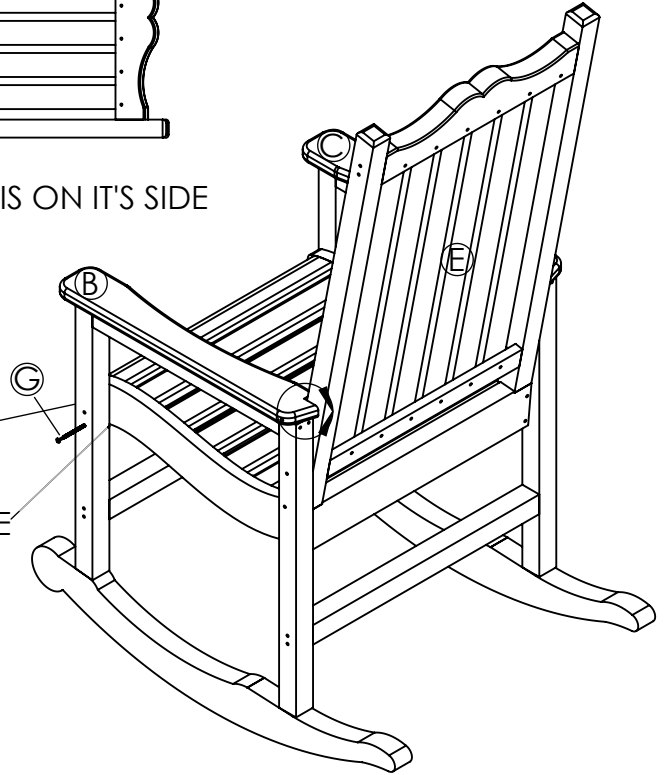
ⓔX1
ⓖX2



SECURE SCREWS WHILE CHAIR IS ON IT'S SIDE DURING STEP 5 AND 6

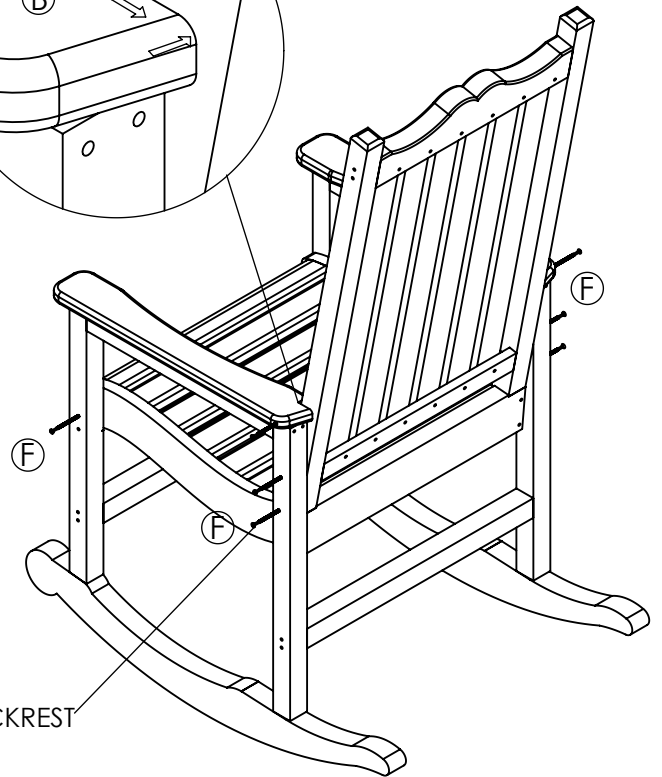
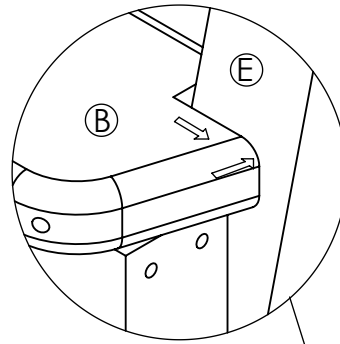
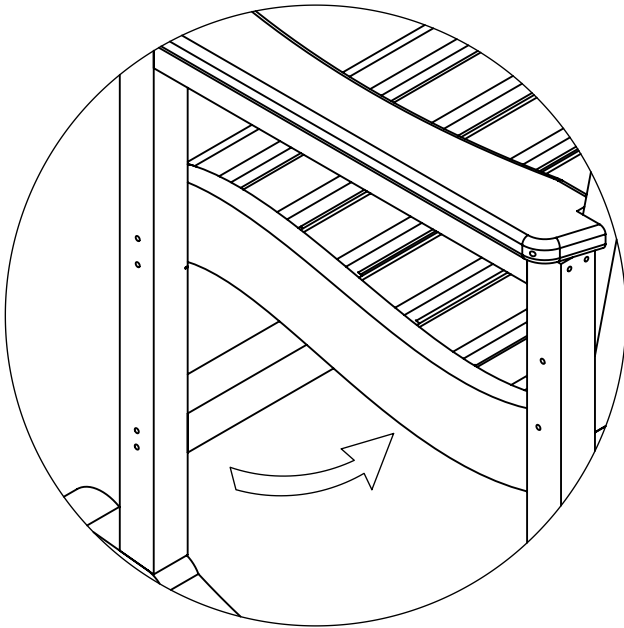


SCRIBE LINE



6

ⓕX8



! MAKE SURE SCREW MISSES SCREW HEAD ON BACKREST



Generation Line

C05

