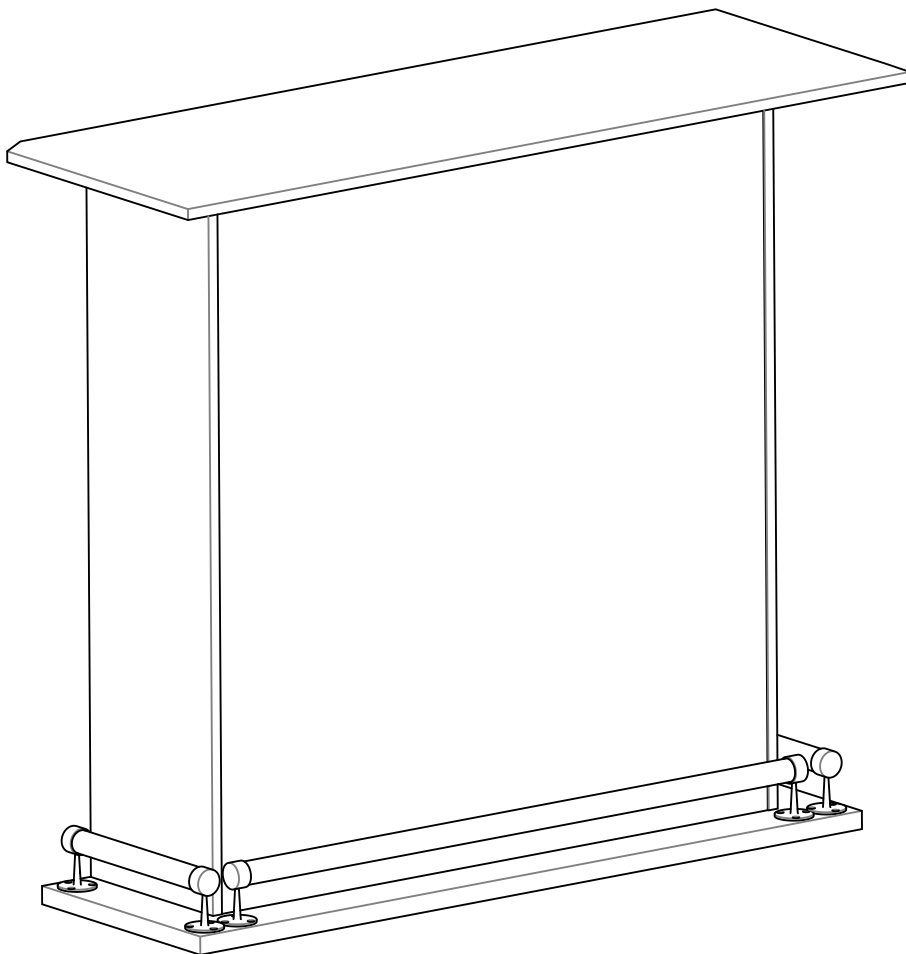


ASSEMBLY INSTRUCTIONS

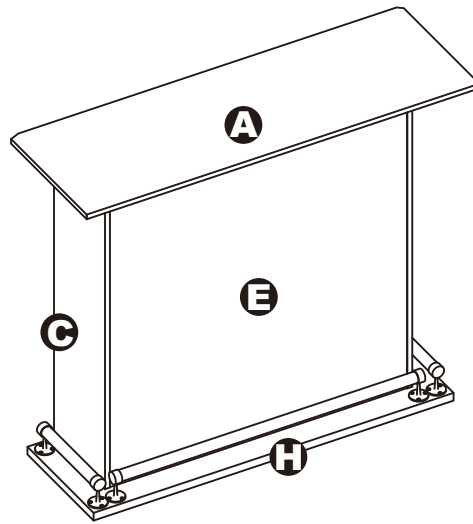
72580



BAR TABLE

BAR TABLE

72580

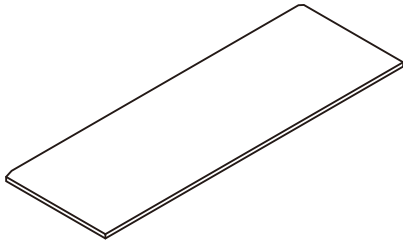


DIMENSIONS

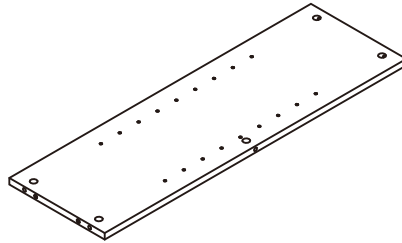
Width - 47.25"
Depth - 15.75"
Height - 41.35"

PARTS LIST

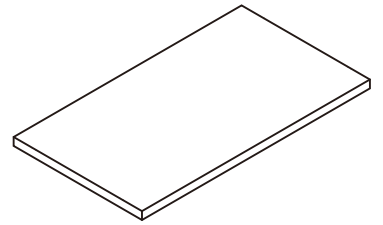
A X1



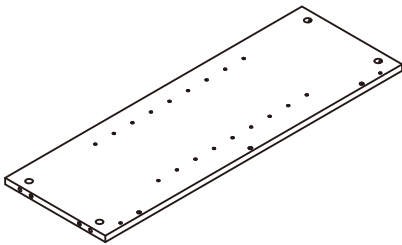
D X1



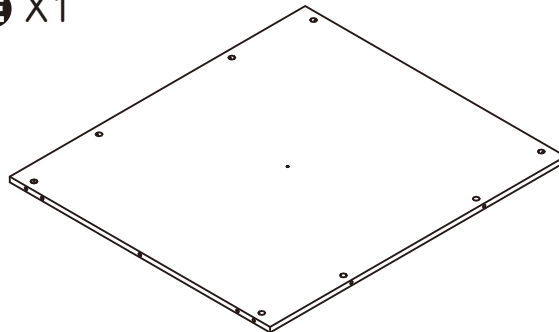
H X4



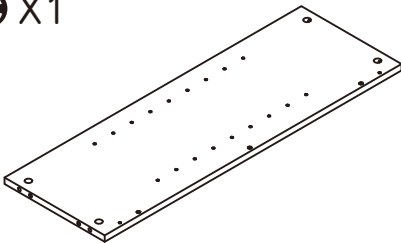
B X1



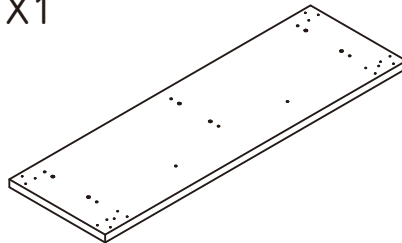
E X1



G X1

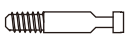


G X1



HARDWARE LIST

1 X21



2 X21



3 X18



4 X16



5 X6



6 X18



7 X2

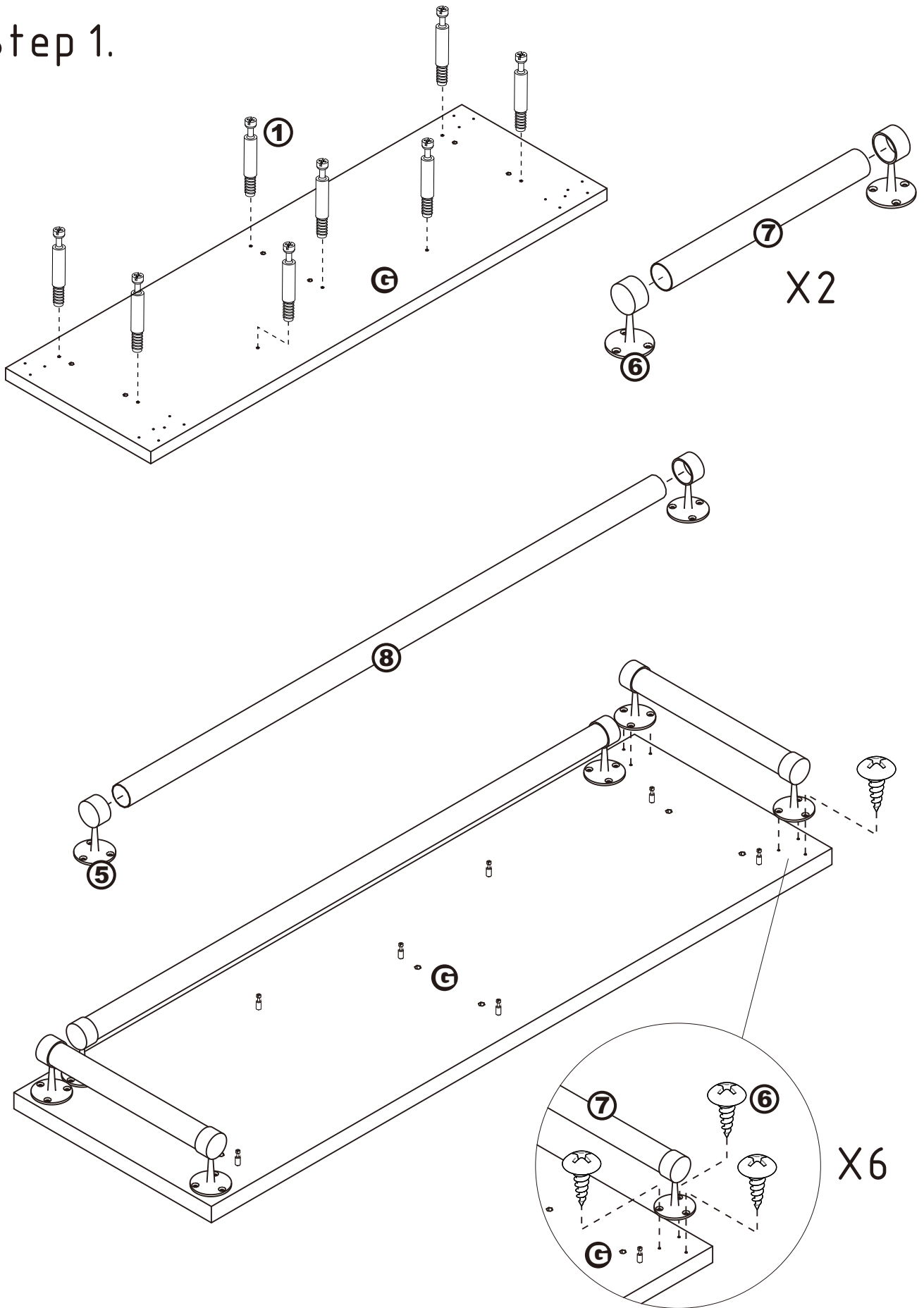


8 X1



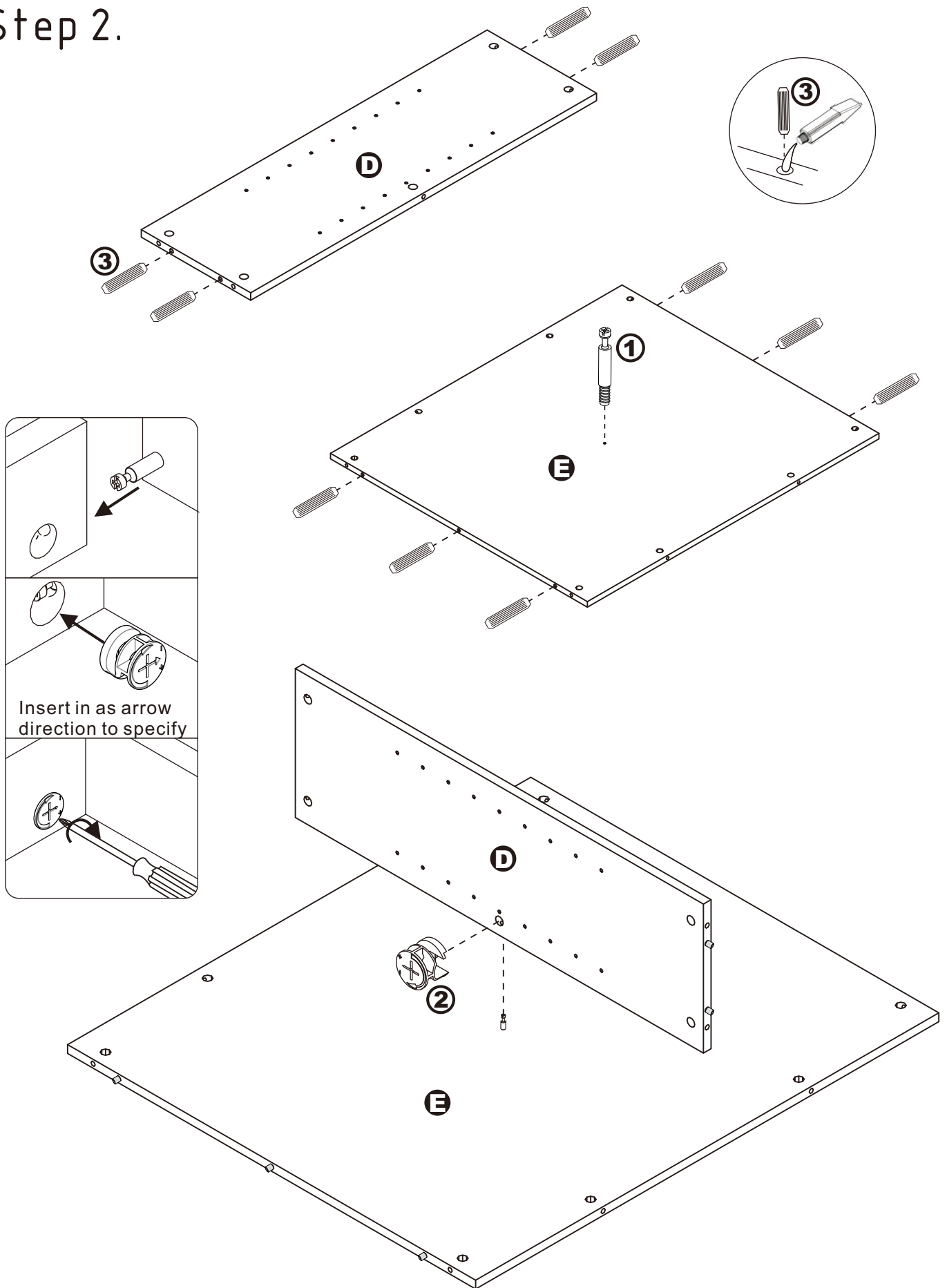
ASSEMBLY INSTRUCTIONS

Step 1.



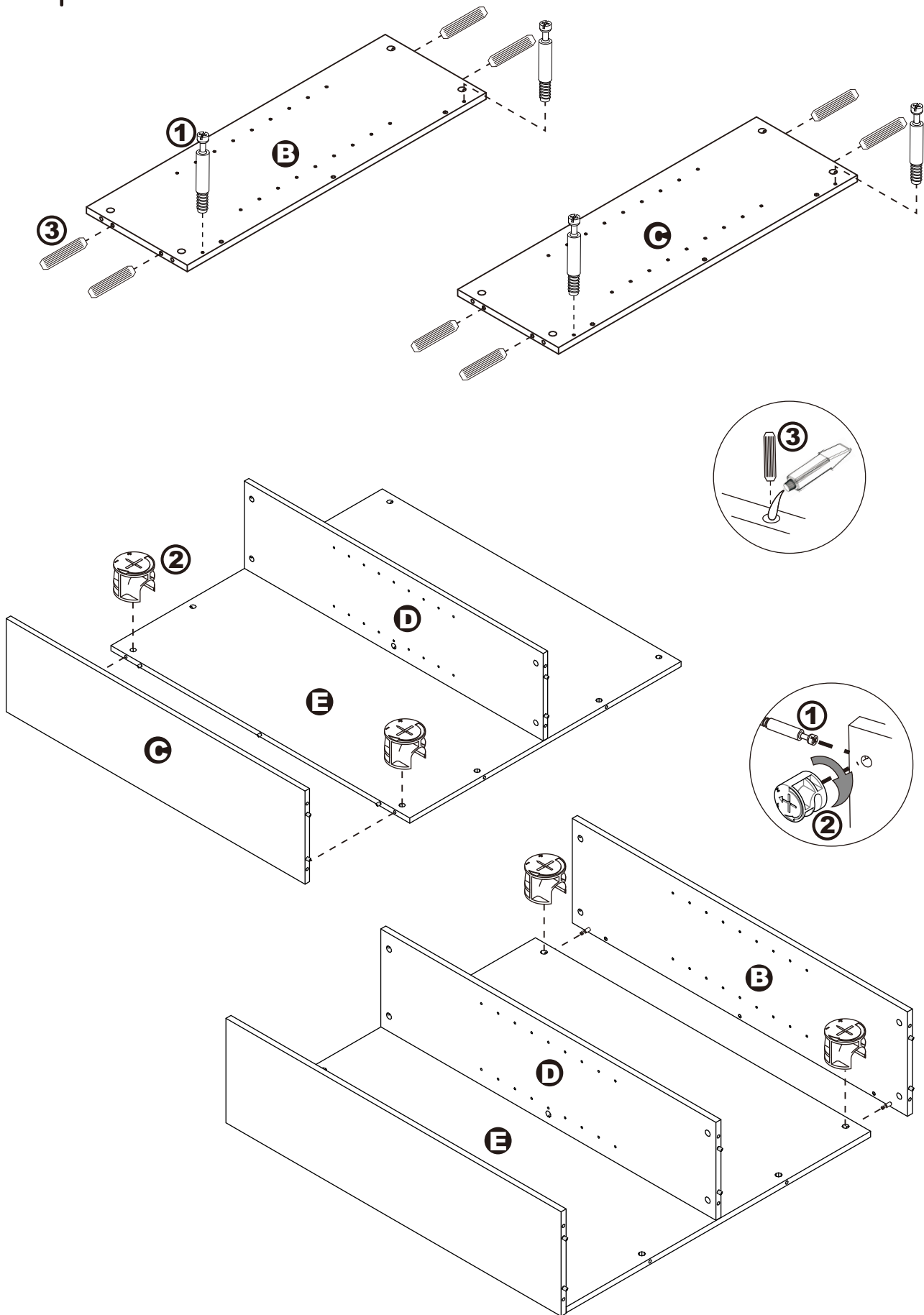
ASSEMBLY INSTRUCTIONS

Step 2.



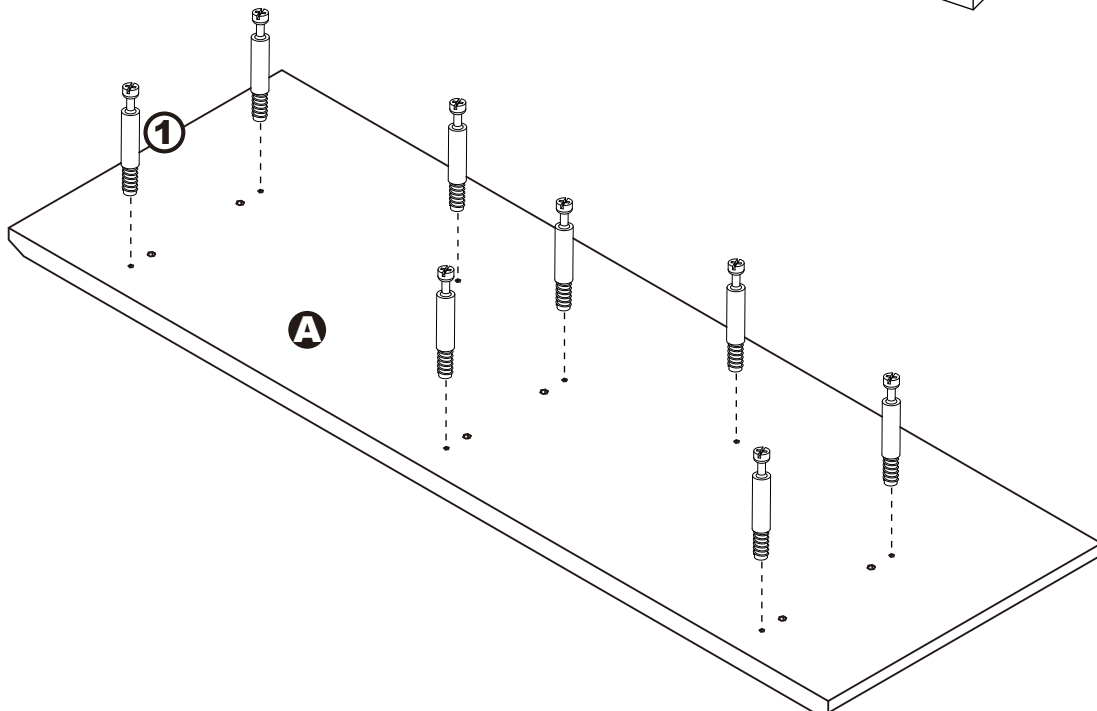
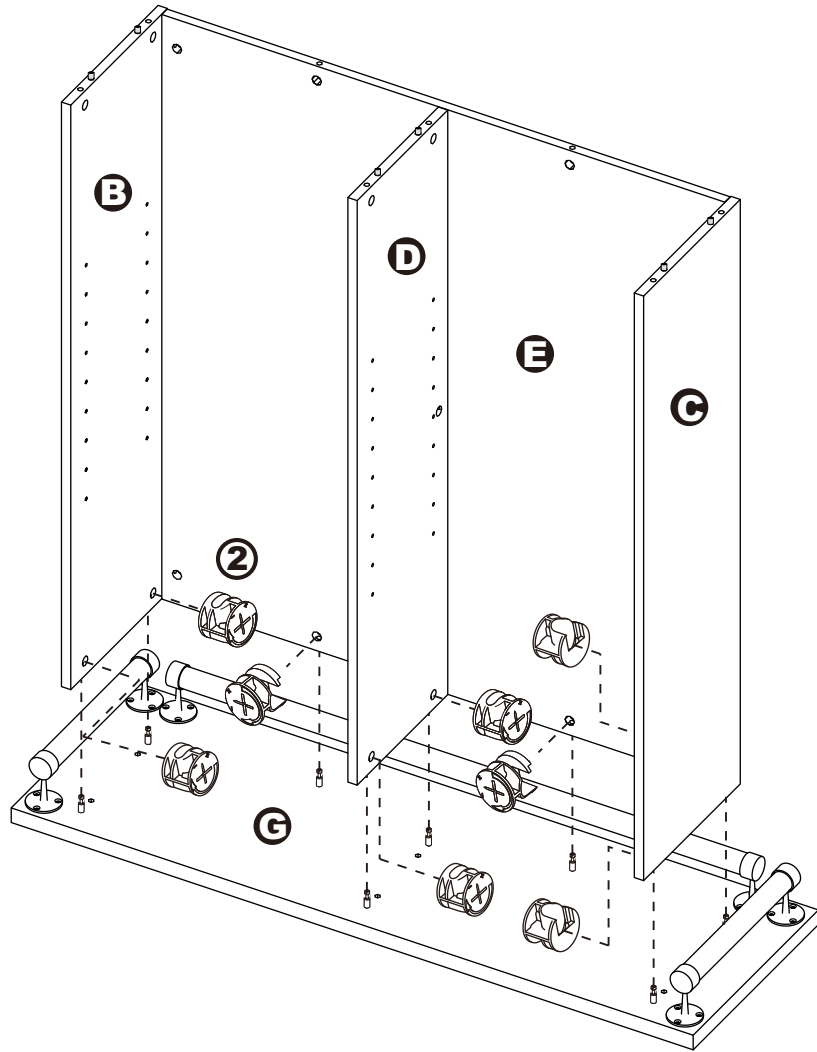
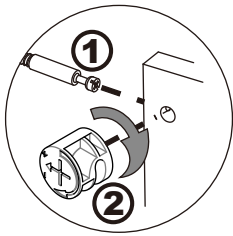
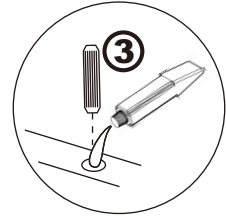
ASSEMBLY INSTRUCTIONS

Step 3.



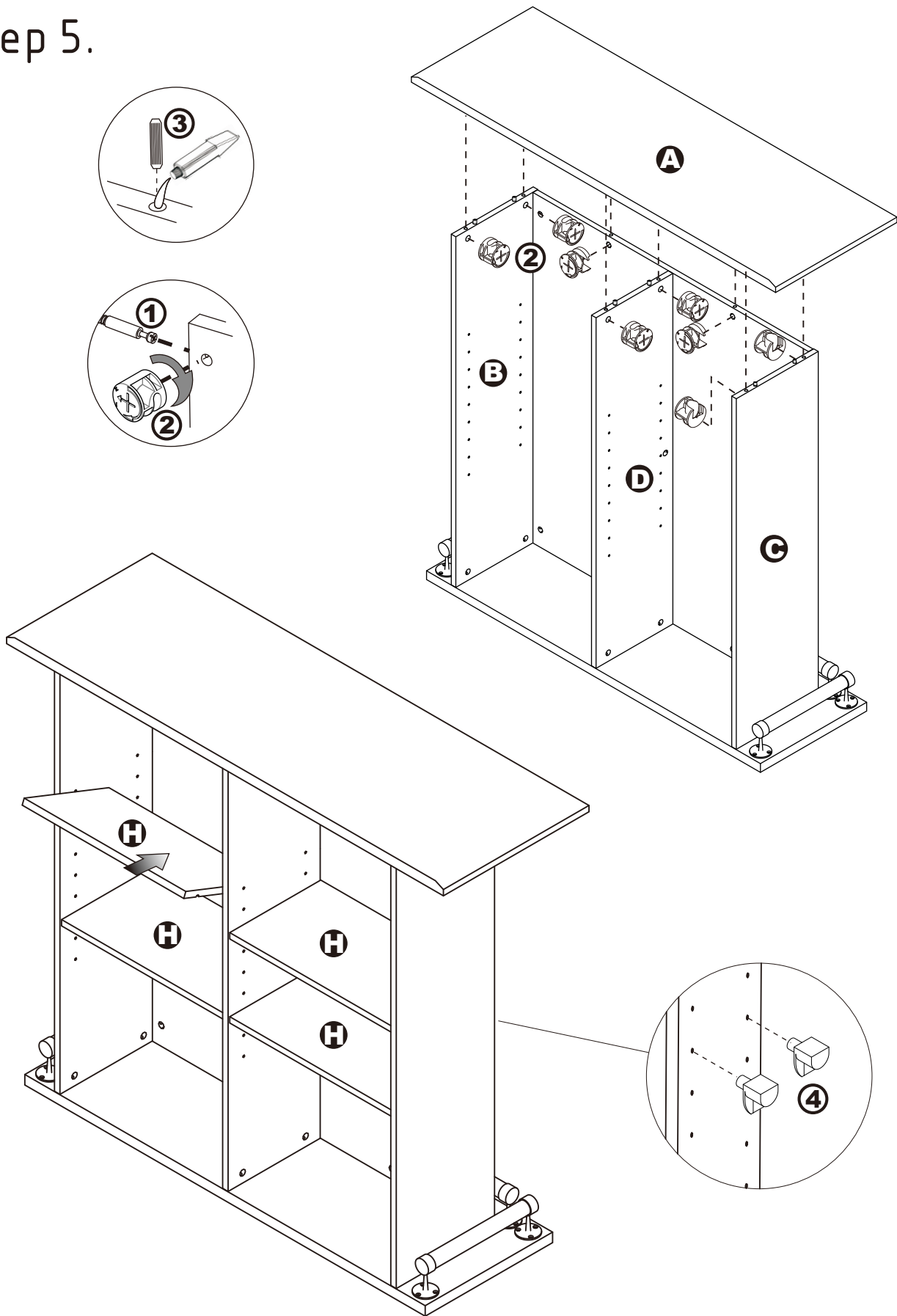
ASSEMBLY INSTRUCTIONS

Step 4.



ASSEMBLY INSTRUCTIONS

Step 5.



ASSEMBLY IS COMPLETED

Make sure the product is rested on a flat surface and does not feel loose or wobbly. If it does, double check that the bolts/screws are secured and properly tightened.