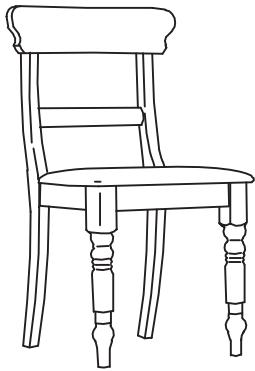


# ASSEMBLY INSTRUCTIONS

Item No: P836-61

Description: LADDERBACK CHAIR (SOFT SEAT)









## IMPORTANT NOTE :

- Place all wooden parts on a clean and smooth surface such as a rug or carpet to avoid the parts from being scratched.
- Check to be sure that you have all parts and hardware.
- Remove all wrapping materials, including staples & packing straps before you start to assemble.
- Do not tighten all screws/bolts until all completely assembled.
- Keep all hardware parts out of reach of children.

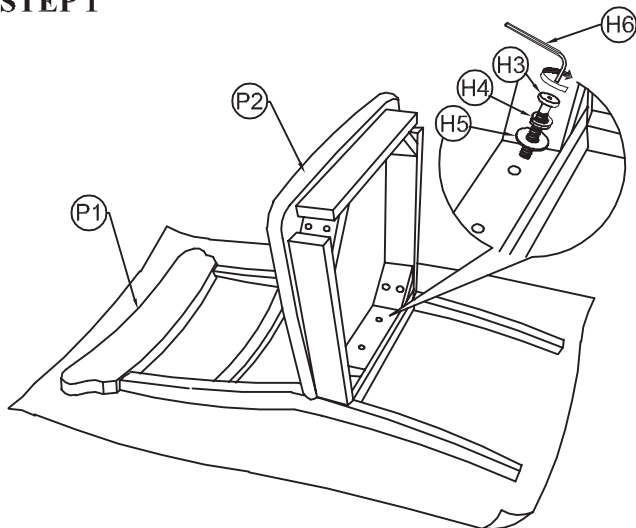
### PARTS LIST (FOR 2 COMPLETE CHAIRS)

NO.	COMPONENT	QTY.
P1	CHAIR BACK	2
P2	CHAIR SEAT	2
P3	FRONT LEG	4

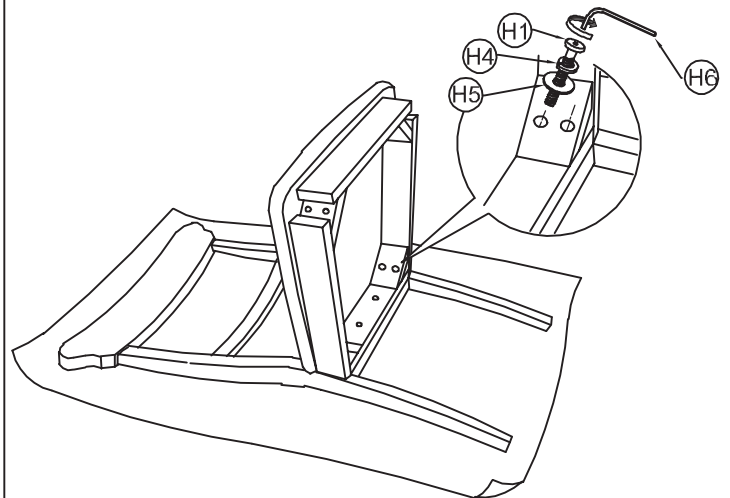
### HARDWARE LIST (FOR 2 NOS. OF CHAIRS)

NO.	DESCRIPTION	QTY.
H1	JCBC SCREW M6 X 80 	8
H2	JCBC SCREW M6 X 60 	8
H3	JCBC SCREW M6 X 35 	4
H4	SPRING WASHER 	20
H5	FLAT WASHER 	20
H6	ALLEN KEY 	1

### STEP 1



### STEP 2



### STEP 3

