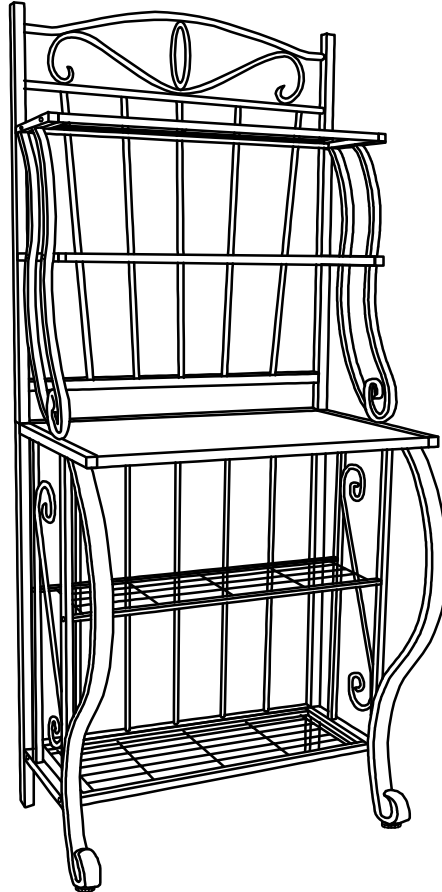







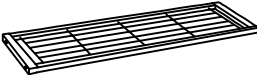
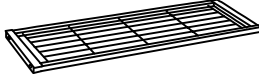


# ASSEMBLY INSTRUCTIONS



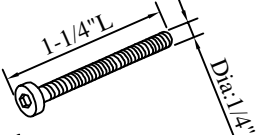
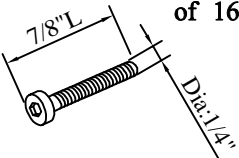
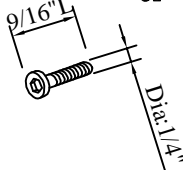
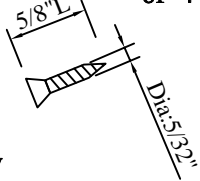

## NOTE TO CUSTOMERS:

- For ease and speed of assembly we recommend that before you commence each step of the assembly that you identify all the parts required to complete that step.
- We recommend that where possible you allow sufficient space to assemble the item as close as possible to the place where it will be once assembled.
- For the protection of your furniture we recommend that the product is placed on protected surfaces during assembly to prevent any damage.
- During assembly do not over tighten, as this may damage the product.
- Please ensure you retain all the product packaging until the item completely assembled.
- Please periodically check all fittings and re-tighten as necessary.
- Never allow any liquid to remain on your furniture as absorption can cause the wood to warp or the finish to de-laminate.
- It is recommended that this item should be assembled by two adults.

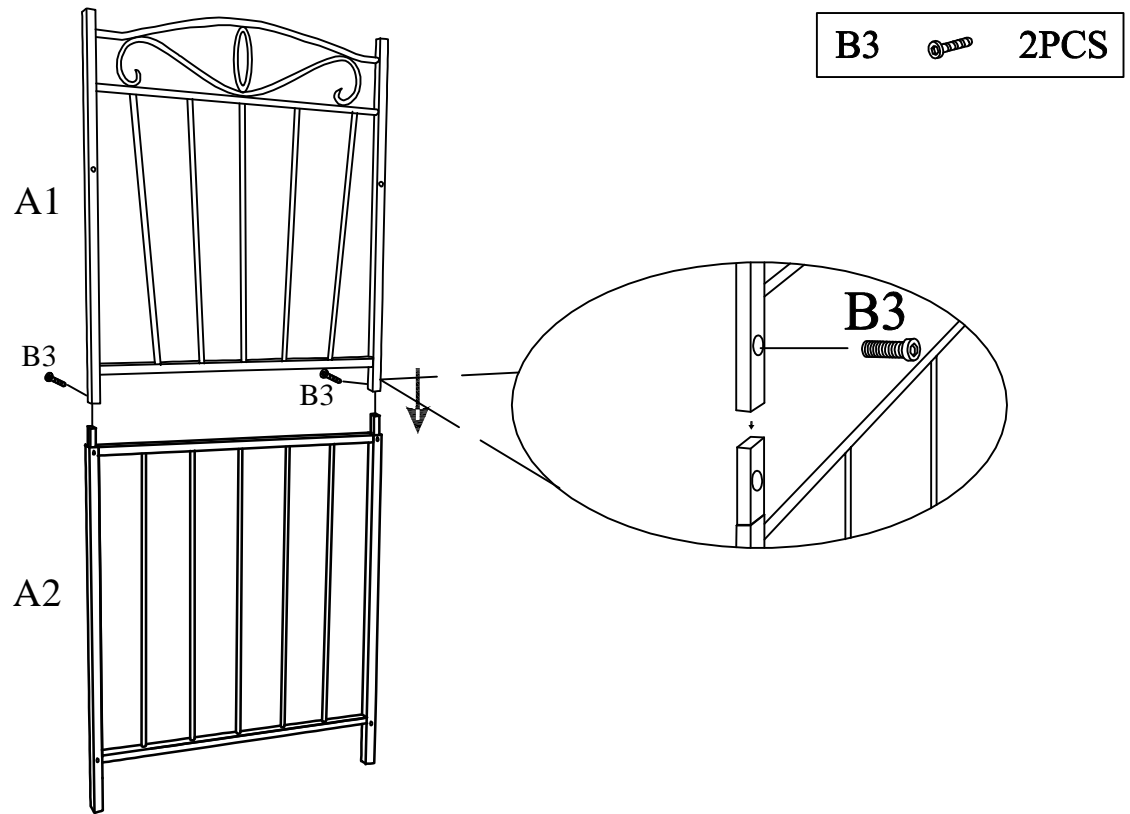
# Part List

<p><b>A1</b>                      <b>Quantity</b>                                  of 1</p>  <p><b>Upper Back Frame</b></p>	<p><b>A2</b>                      <b>Quantity</b>                                  of 1</p>  <p><b>Lower Back Frame</b></p>	<p><b>A3</b>                      <b>Quantity</b>                                  of 1</p>  <p><b>Left Leg</b></p>	<p><b>A4</b>                      <b>Quantity</b>                                  of 1</p>  <p><b>Right Leg</b></p>
<p><b>A5</b>                      <b>Quantity</b>                                  of 2</p>  <p><b>Upper Side Frame</b></p>	<p><b>A6</b>                      <b>Quantity</b>                                  of 1</p>  <p><b>Bottom Net Rack</b></p>	<p><b>A7</b>                      <b>Quantity</b>                                  of 2</p>  <p><b>Upper Net Rack</b></p>	<p><b>A8</b>                      <b>Quantity</b>                                  of 1</p>  <p><b>Middle Net Rack</b></p>
<p><b>A9</b>                      <b>Quantity</b>                                  of 1</p>  <p><b>Center Panel</b></p>			

# Hardware List

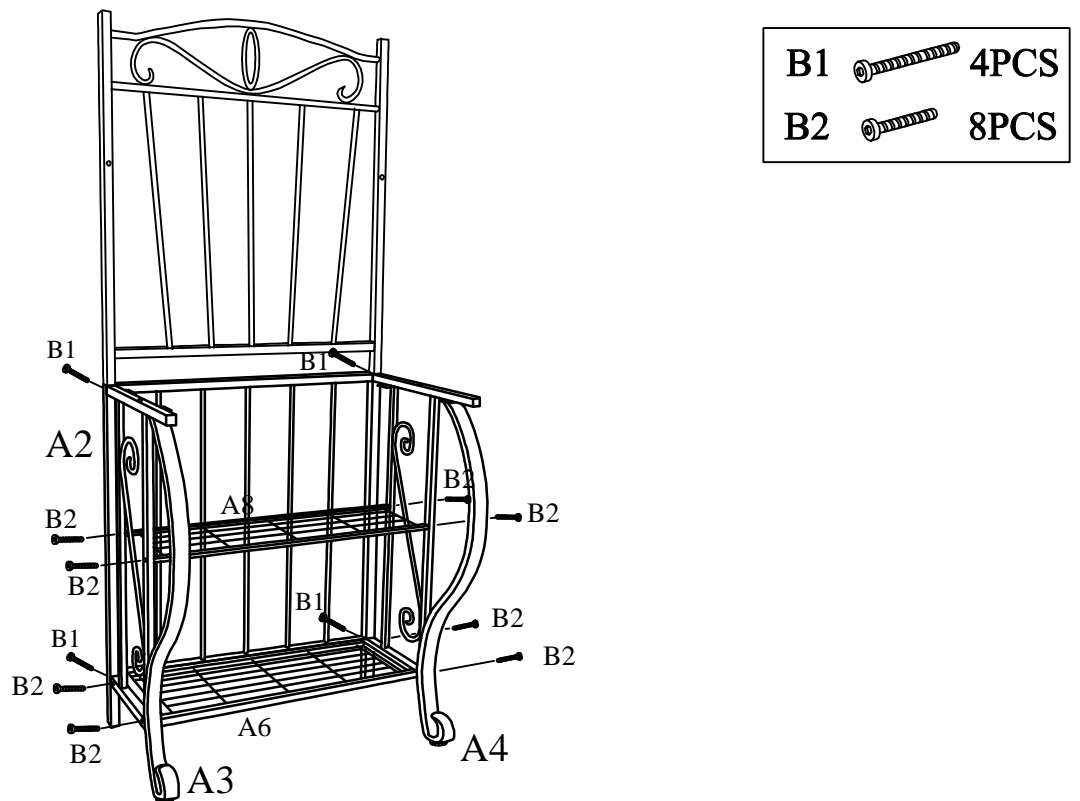
<p><b>B1</b>                      <b>Quantity</b>                                  of 6</p>  <p><b>Bolt</b></p>	<p><b>B2</b>                      <b>Quantity</b>                                  of 16</p>  <p><b>Bolt</b></p>	<p><b>B3</b>                      <b>Quantity</b>                                  of 4</p>  <p><b>Bolt</b></p>	<p><b>B4</b>                      <b>Quantity</b>                                  of 4</p>  <p><b>Screw</b></p>
 <p><b>Allen Wrench</b></p>			

## Step 1






Insert Upper Back Frame A1 to Lower Back Frame A2 using Bolts B3.  
Note: Please do not tighten Bolts B3 until Step 4.

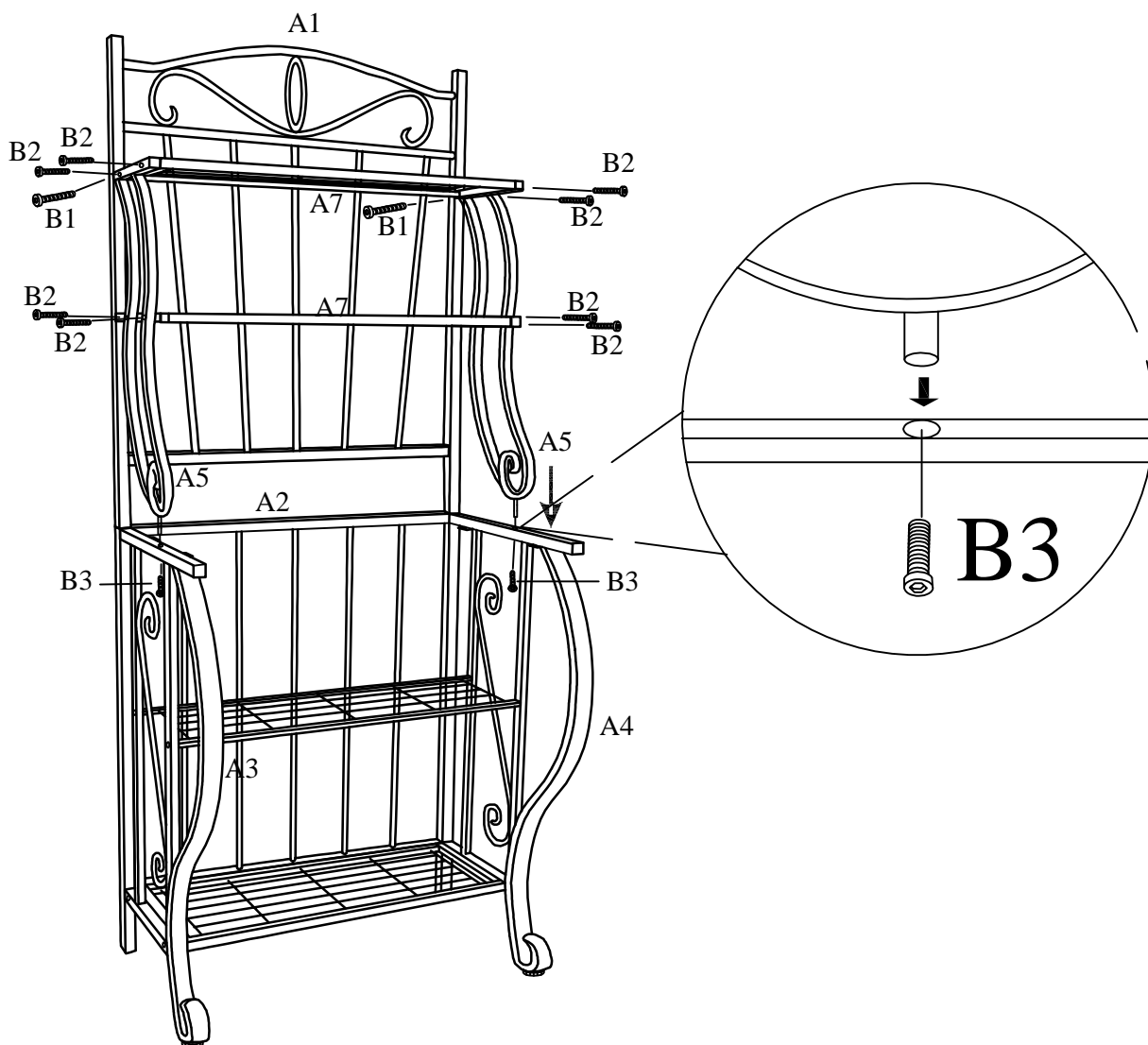
## Step 2



1). Assemble Legs A3&A4 to Lower Back Frame A2 using Bolts B1.  
2). Assemble Bottom Net Rack A6 and Middle Net Rack A8 to Legs A3&A4 using Bolts B2 .  
Note: Please do not tighten Bolts B1&B2 until Step 4.

### Step 3

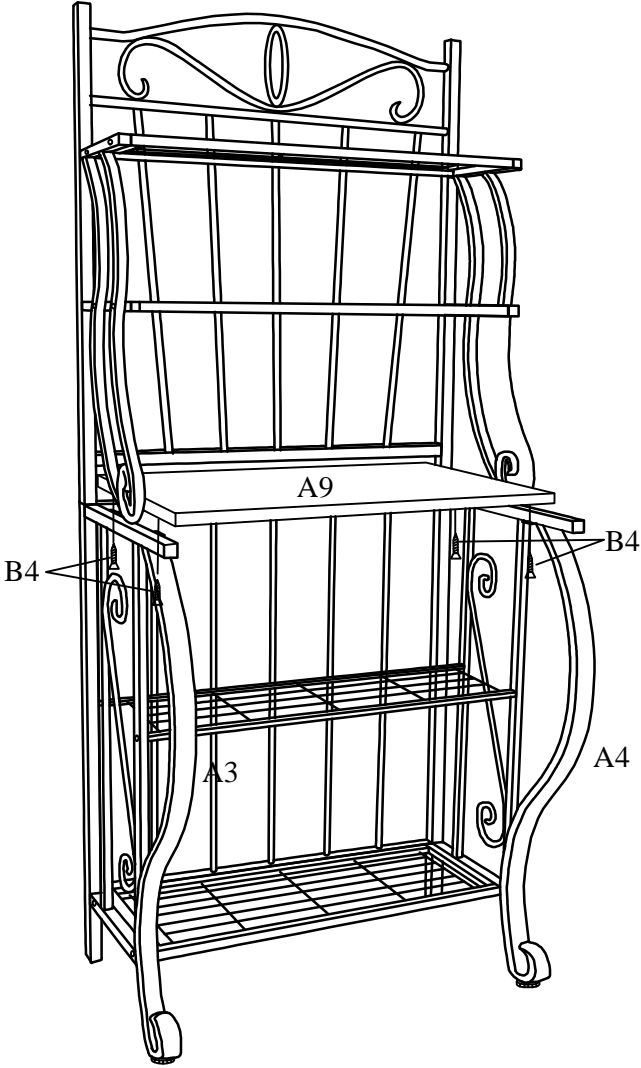
B1		2PCS
B2		8PCS
B3		2PCS



- 1). Assemble Upper Side Frames A5 to Legs A3&A4 and Upper Back Frame A1 using Bolts B3 and Bolts B1.
  - 2). Assemble Upper Net Racks A7 to Upper Side Frames A5 using Bolts B2.
- Note: Please do not tighten Bolts B1&B2&B3 until Step 4.

Step 4

B4  4PCS



Assemble Center Panel A9 to Legs A3&A4 using Screws B4.  
Please tighten all Bolts B1&B2&B3 at this point.