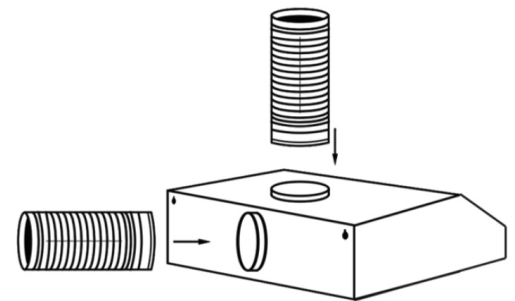
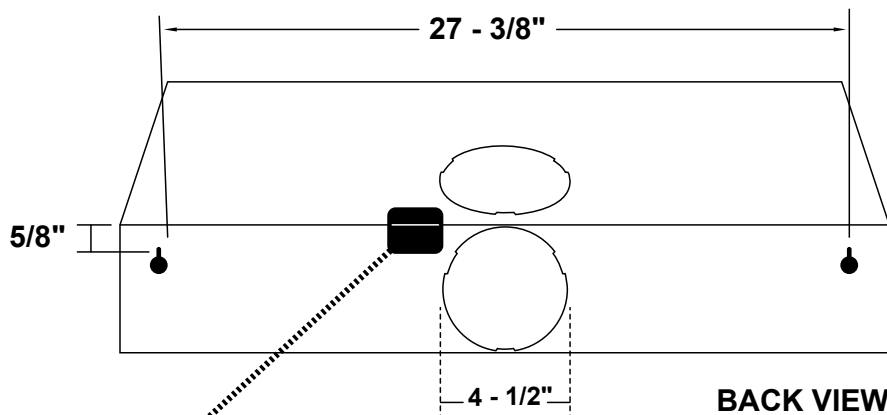
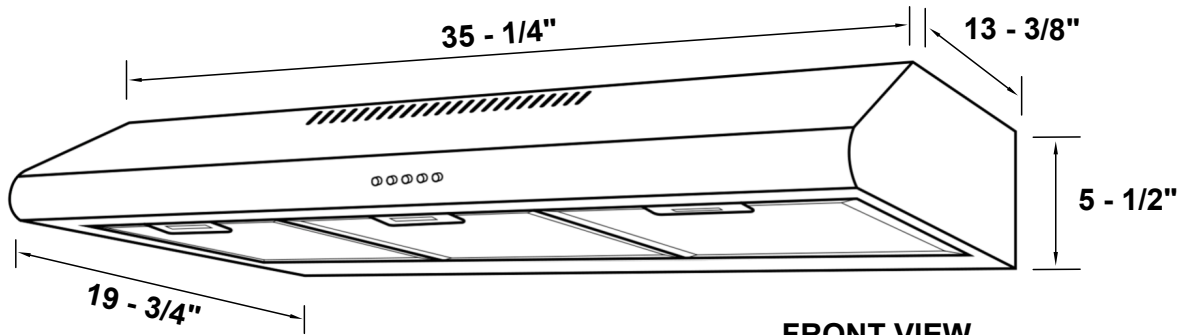




COS-5MU36

Assembled Product Dimensions



TOP or REAR Vent Options

Location of 3-Prong Plug

NOTE: Ventilation outlet is 4 - 1/2" in diameter. A 5" duct is recommended for installation.

