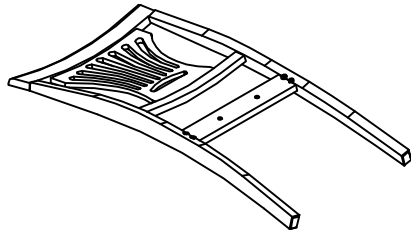
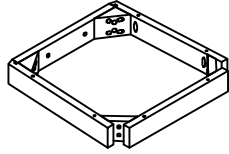


ASSEMBLY INSTRUCTIONS

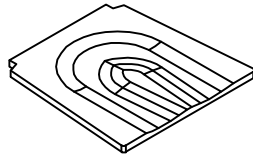
1. CHAIR BACK POST
1 piece



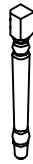
2. SEAT FRAME
1 piece



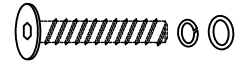
3. SEAT
1 pieces



4. FRONT LEGS
2 pieces



5. BOLT
4 sets



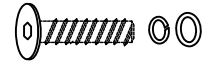
Ø0.6x8 cm

6. BOLT
4 sets



Ø0.6x6 cm

7. BOLT
2 sets

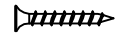


Ø0.6x3.5 cm

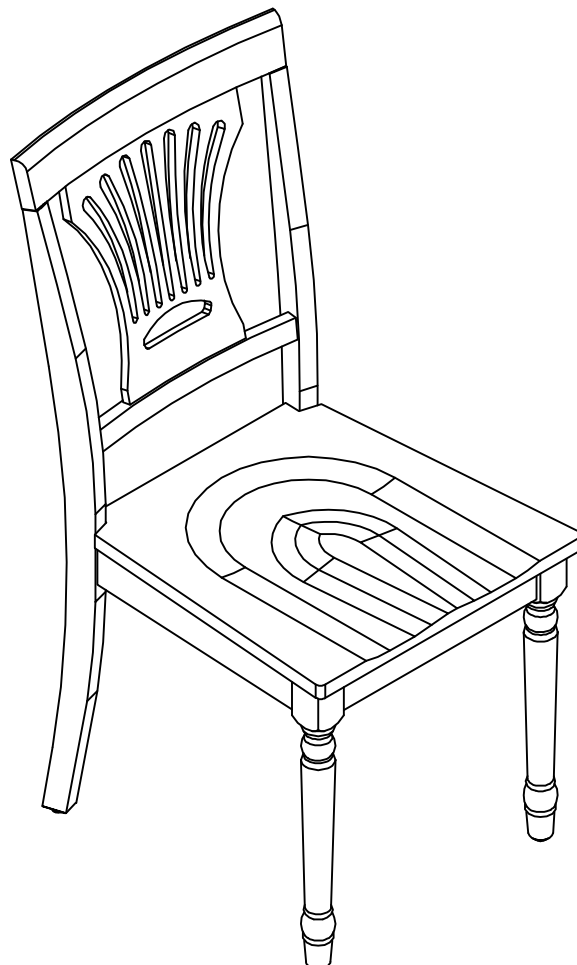
8. ALLEN KEY
1 piece



9. SCREW
6 pieces

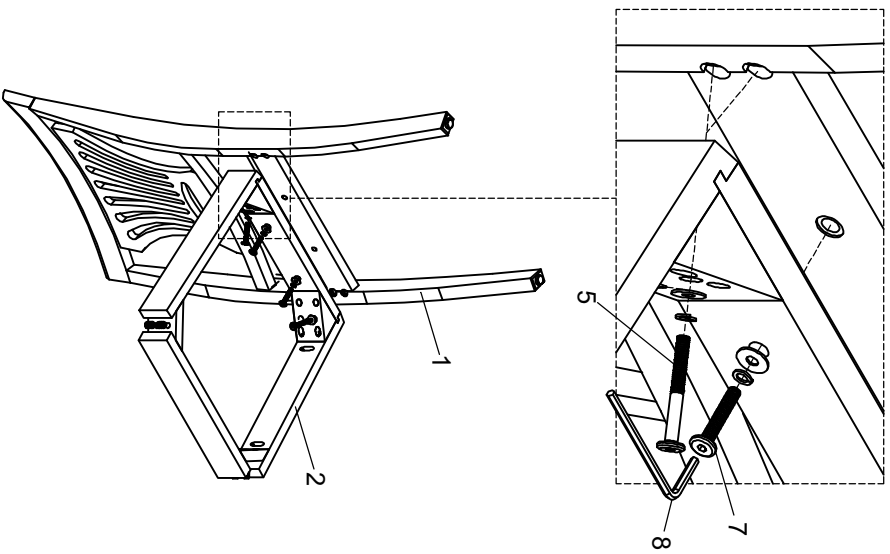


Ø0.4x3 cm

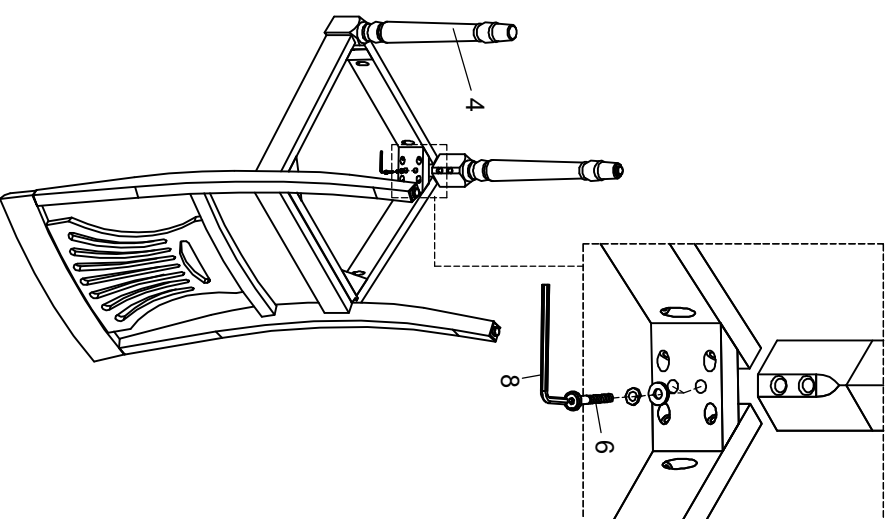


ASSEMBLY INSTRUCTIONS

STEP 1



STEP 2



STEP 3

