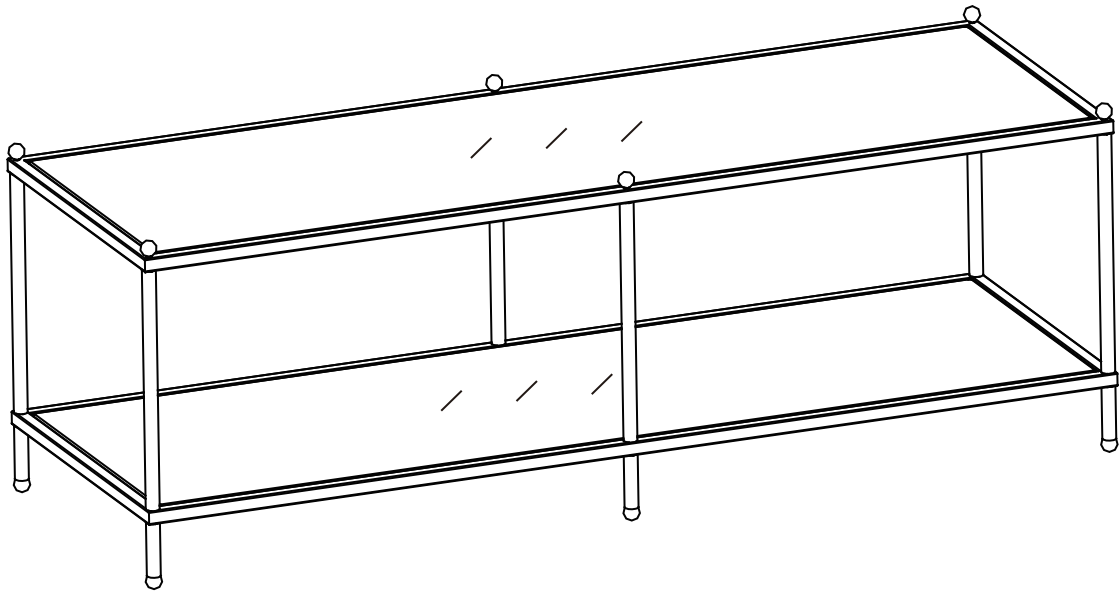


CONVENIENCE CONCEPTS

ROYAL CREST COFFEE TABLE

134082

134082B



THANK YOU FOR YOUR ORDER!

ENCLOSED PLEASE FIND A POLISHING CLOTH FOR YOUR USE TO CLEAN THE RESIDUE FROM THE FINE OIL USED IN PRODUCTION OF THIS CHROME PRODUCT.

PLEASE ALSO CALL US IF YOU HAVE ANY QUESTIONS.

ASSEMBLY INSTRUCTIONS

We have designed our furniture with you , the customer in mind . Our clear , easy to follow , step by step instructions will guide you through the project from start to finish .

Feel confident that this will be a fun and rewarding project . The final product will be a quality piece of furniture that will go together smoothly and give years of enjoyment .



Please do not return to the store

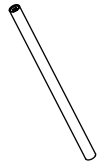
Broken or missing parts?

Need help with assembly?

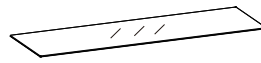
If you have any questions just call 1-800-468-6447 or email us at parts@convenience-concepts.com



A Frame (2pcs)



B Long tubes (6pcs)



C Glass panel (2pcs)



D Foot (6pcs)



E Ball end (6pcs)



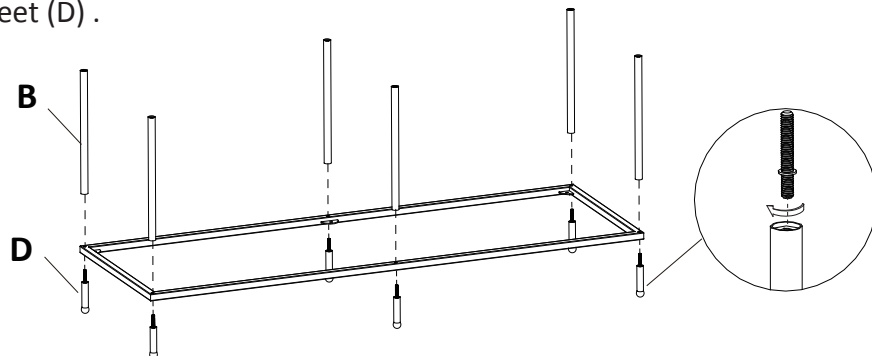
F Non-slip disk (12pcs)



G Polishing cloth (1pc)

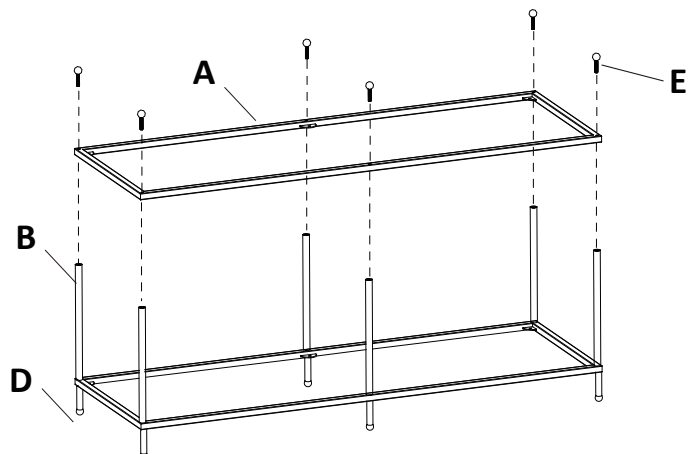
Step1

1. Make sure all bolts are securely fastened in feet (D).
2. Place frame (A) onto feet (D).
3. Screw long poles (B) into feet (D).



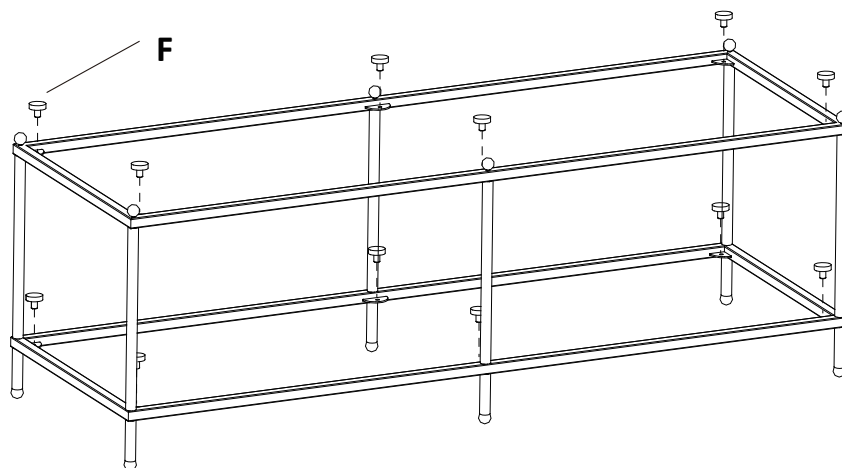
Step2

1. Place second frame (A) onto unit and screw ball ends (E) into long poles (B) as show.
2. Retighten all poles, feet and ball ends.



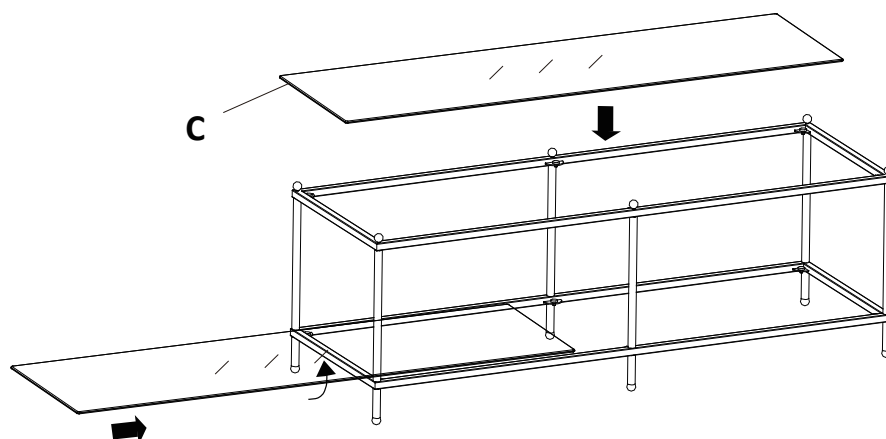
Step3

Place non-slip disks (F) into assembly as shown to support glass shelf.



Step4

Using a slight angle carefully insert glass panels (C) into unit.



Step5

Enjoy your new coffee table.

