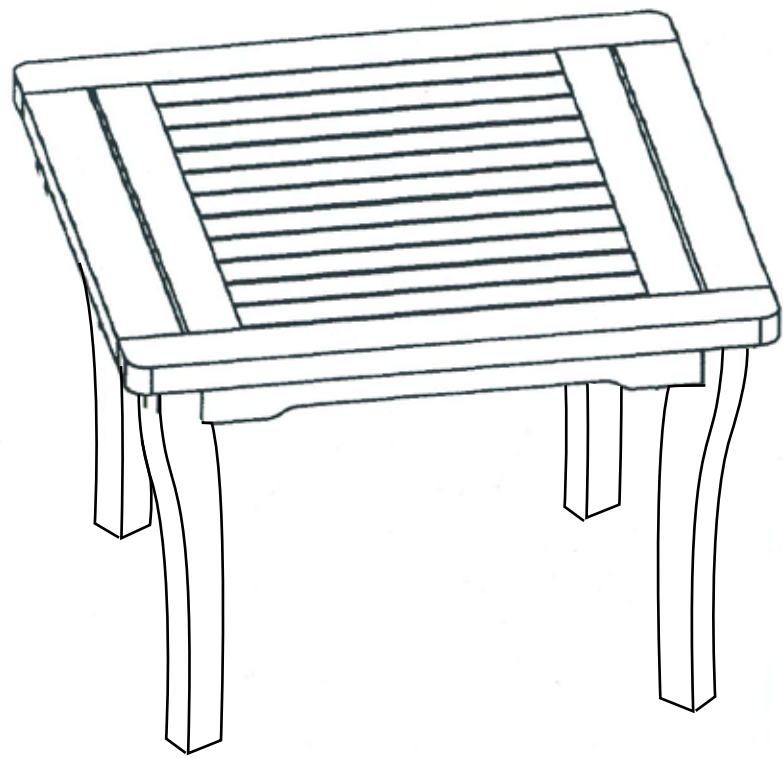
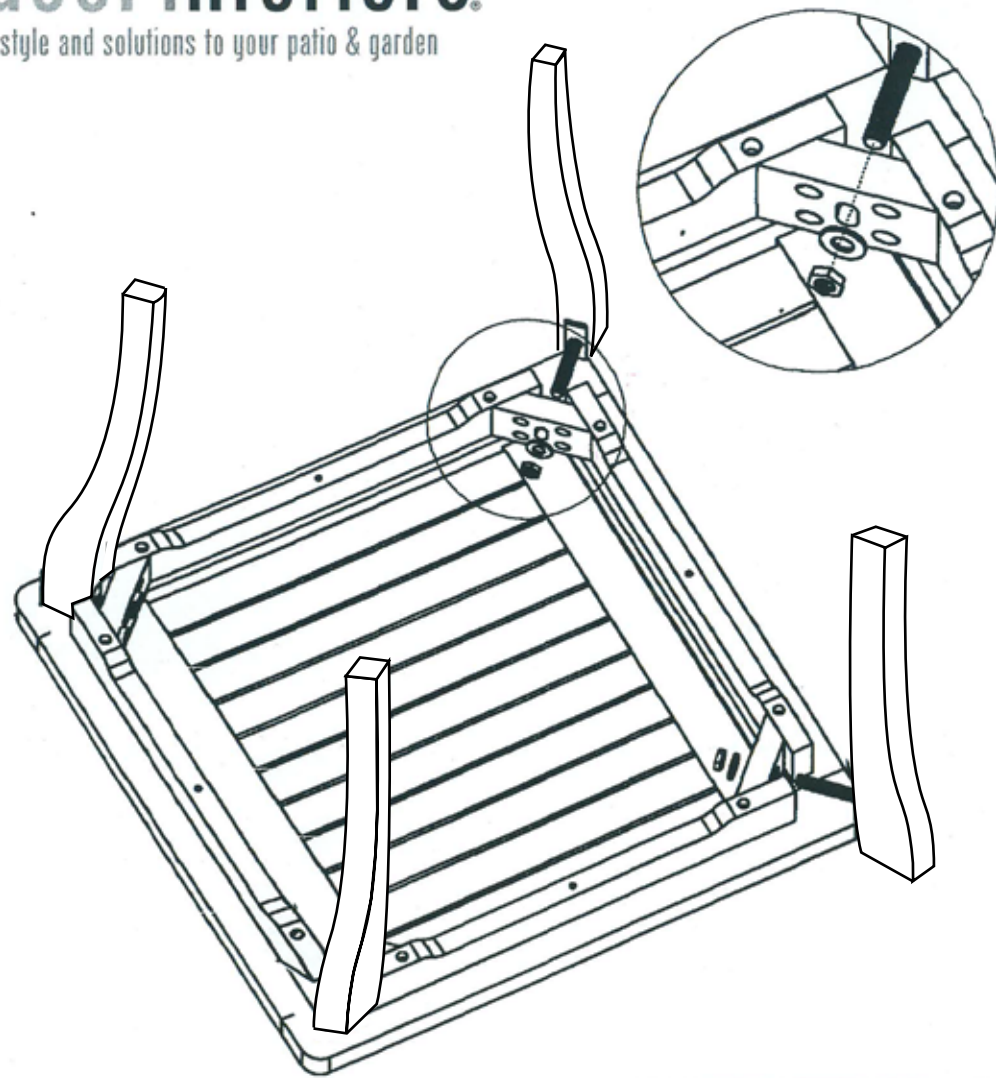


ASSEMBLY INSTRUCTIONS FOR TABLE 19470



**STOP! PLEASE READ FIRST:**

Thank you for purchasing this item from Outdoor Interiors.  
Please verify all the hardware and components are included as you unpack the carton. Place the items in a safe area to avoid loss and damaging contents. Use a soft area or use the empty box to assemble the item.

**ASSEMBLY TIPS:** Assemble upside down with the table top facing down. Never over-tighten any screws or bolts. It's best to assemble with 2 people. Please visit our website if you have any questions [www.outdoorinteriors.com](http://www.outdoorinteriors.com).

Please review the "PLEASE OIL ME" card for how to care & maintain your new furniture.

**LIST OF  
HARDWARE**



NUT M10 = 4PCS  
STEEL WASHER = 4PCS

PLEASE NOTE:  
NUT & WASHER ARE ALREADY AFFIXED  
AVER ALL (4) BOLTS AND TABLE LEGS