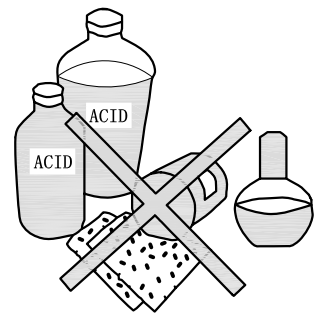
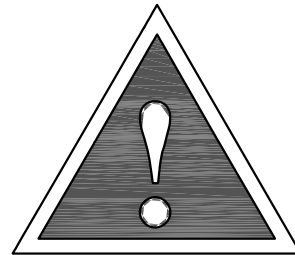
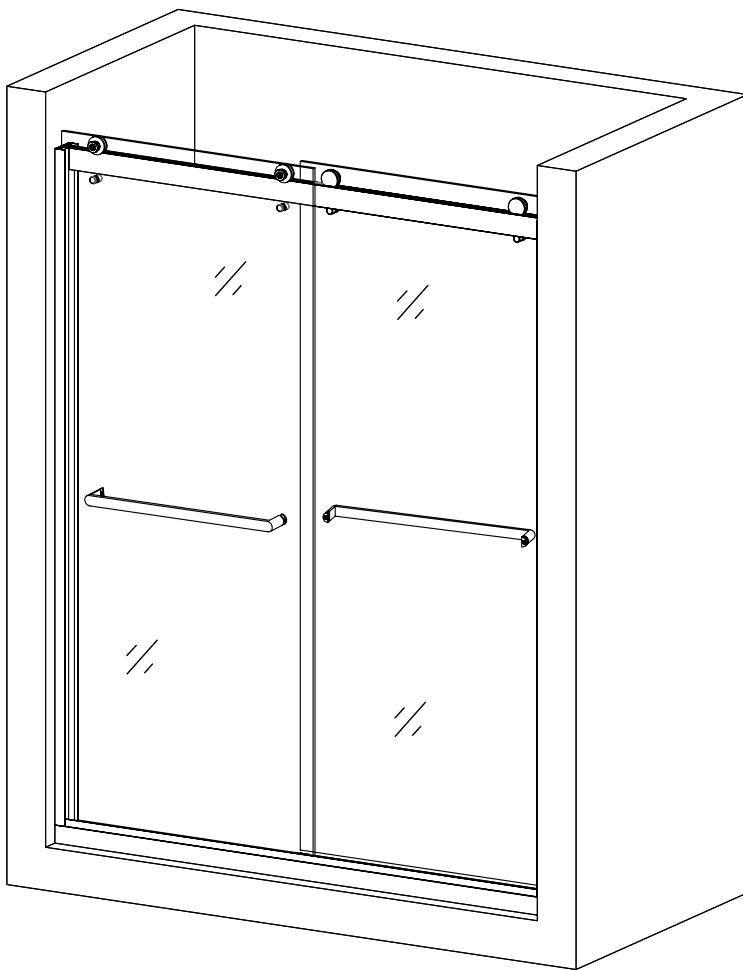


SHOWER SCREEN WITH DOUBLE SLIDING DOOR INSTALLATION INSTRUCTIONS



Maintenance tip:

The following substances or articles may cause physical harm and/or damage the shower door.

Do not use them for cleaning:

Acid and alkaline solvents, chemicals such as hydrochloric acid, acetone thinner, solvents, cleansers, or polishers, nylon brooms or sandpaper.

Our product may have changes without prior notice

PREPARATION

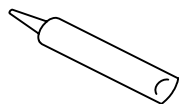
1. WE STRONGLY RECOMMEND THAT A LICENSED AND INSURED PROFESSIONAL CONTRACTOR TO INSTALL THIS PRODUCT INCLUDING THE ASSISTANCE OF A SECOND PERSON DURING INSTALLATION.
2. After opening all boxes and packages, read this introduction carefully. Check that all of the needed parts are included in the package by marking all the components on the "Detailed Diagram of Shower Door Components". Examine boxes and packages for shipping damage. If the unit has been damaged, has a finishing defect, or is missing parts, please contact our customer support department to be served immediately. Please note that We will not replace any damaged products or missing parts free of charge after 5 business days or if the product has been installed. Feel free to contact your local distributor if you have any questions.
VERY IMPORTANT: Please double check the glass corner and four edges of the glass door and fixed panel to make sure that all the glass are in perfect condition and without any breakage. Please do not try to install the shower door, if there is breakage to the glass corner.
3. Please note that you should consult your local building codes with questions on installation compliance standards. Building and plumbing codes may vary by location, and We are not responsible for code compliance standards for your project and will not accept any returns.
4. Prior to installation, ensure that the installation surface is leveled and solid and will be able to support the total weight of the unit. Also, make sure the walls are at the right angles. Irregular installation surface level or improper angle of side walls will result in serious problems during installation. Please, note that some adjustments and drilling might be necessary during the installation process.
5. **NOTE!** This door does not have out-of-plumb adjustment. Make sure your walls are at right angles.
6. This door requires a minimum 2 3/4" wide threshold, base or installation space. Please note that Step 6 calls for installation of the door to the wall using anchors. However, the manufacturer strongly recommends installing these heavy doors to the studs or to preinstalled 2" x 4" wood reinforcements behind the wall and attach the Wall brackets to it.

ATTENTION: THIS DOOR IS EXTREMELY HEAVY AND REQUIRES PROFESSIONAL INSTALLATION. INSTRUCTIONS ARE GIVEN FOR THE SHOWER DOOR INSTALLATION. PLEASE, FOLLOW THE SAME INSTRUCTIONS TO INSTALL THE GLASS DOOR. INSTRUCTIONS THAT, IF IGNORED, COULD RESULT IN DEATH OR SERIOUS PERSONAL INJURY CAUSED BY INCORRECT HANDLING OR INSTALLATION OF THE PRODUCT. THESE INSTRUCTIONS MUST BE OBSERVED FOR SAFE INSTALLATION.

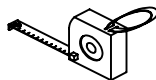
TOOLS REQUIRED



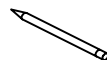
Soft Cloth
or Blanket



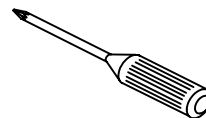
Caulk



Tape
Measure



Pencil



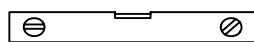
Phillips
Screwdriver



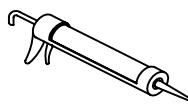
Drill Bit
=ø8



Safety Glass



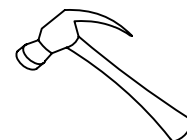
Level



Caulk Gun

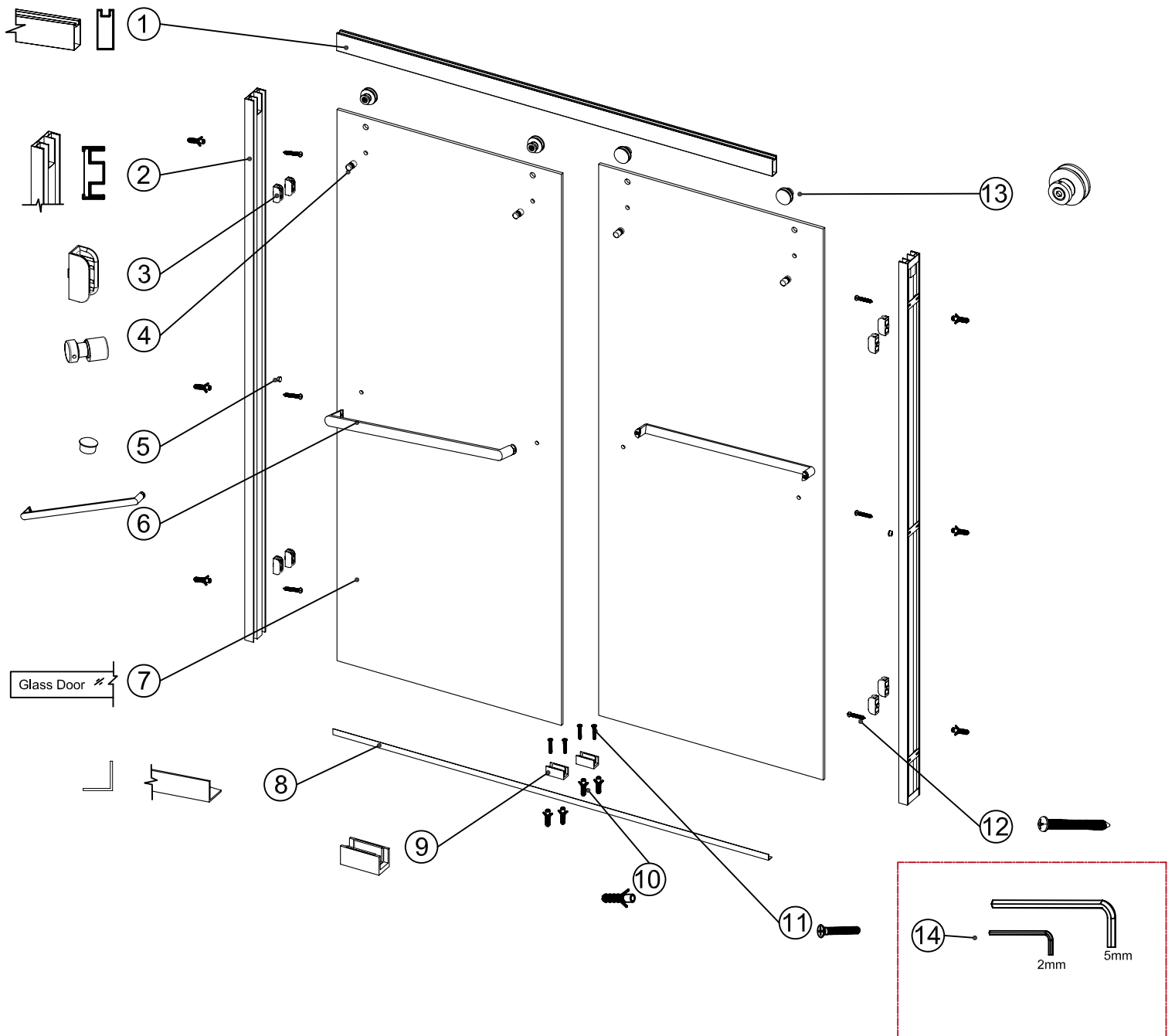


Drill



Hammer

OTHER TOOLS MAY BE REQUIRED



No.	Description	QTY	No.	Description	QTY
1.	Upper Guide Rail	1 pc	12.	Screw M4X60	6 pcs
2.	Wall Profile	2 pcs	13.	Roller	4 pcs
3.	Glass Door Stopper	8 pcs	14.	Allen Key	2 pcs
4.	Safety Pin	4 pcs			
5.	Screw cover	2 pcs			
6.	Towel Bar	2 pcs			
7.	Glass Door	2 pcs			
8.	Anti-Splash threshold	1 pc			
9.	Guide Block	2 pcs			
10.	Ø8mm(Ø5/16") Wall Anchor	10 pcs			
11.	Screw M4X30	2 pcs			

TIPS

01:

Open the packaging carefully and inspect all the necessary parts using detailed diagram and component list in your manual as a reference. Before discarding the carton, check for small hardware bags that tend to fall to the bottom of the box. If any parts are damaged or missing, please contact us for replacement.

02:

Retain these installation instructions for future use if in need.

1. Measure the distance between two finished walls. This distance is marked as W .

Please see Fig 1 for details:

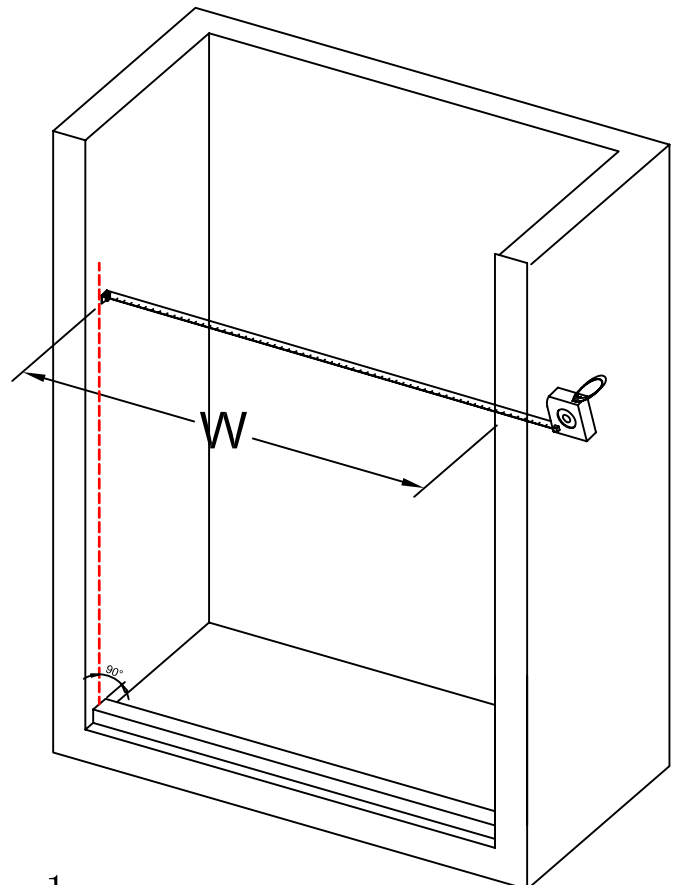
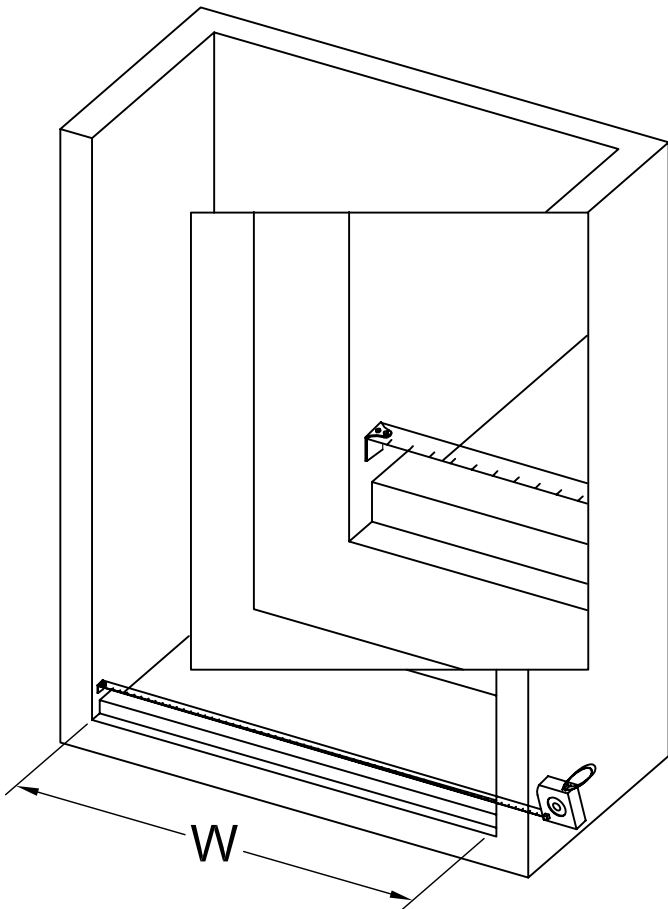
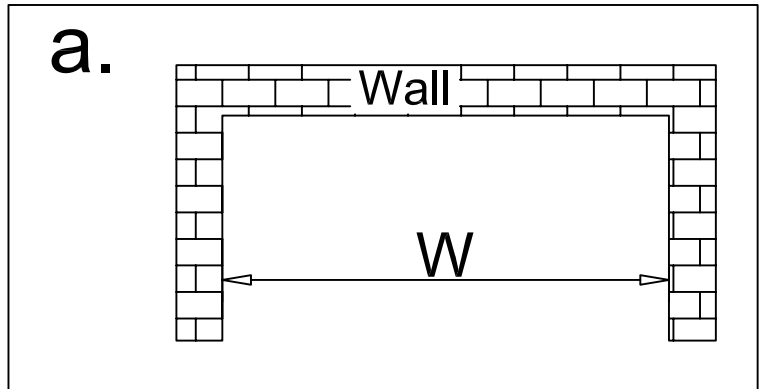


Fig 1

2. Your Upper Guide Rail (1) and Bottom Guide Rail (8) have been precut for your Shower model opening width, eg.60" for shower width.

If W-width of your wall-to-wall opening is equal to the size of your Shower model, it is unnecessary to cut the Upper Guide Rail(1) and Bottom Guide Rail(8) and you can continue to Step 3.

If W-width of your wall-to-wall opening is less than the size of your Shower model, you will need to cut the Upper Guide Rail and Bottom Guide Rail.

1. Cut the Upper Guide Rail(1) at one side only

2. Cut the bottom Guide Rail(8) **both side**

The length to cut off will be L:

$L = \text{Shower model size} - W$
L=Subtract W from the size of your Shower model.

FOR EXAMPLE

If your wall opening $W=59"$. Your shower model is $60"$.

$L=60"-59"=1"$,

You have to cut 1" off from the rail.

Please see Fig 2 for details:

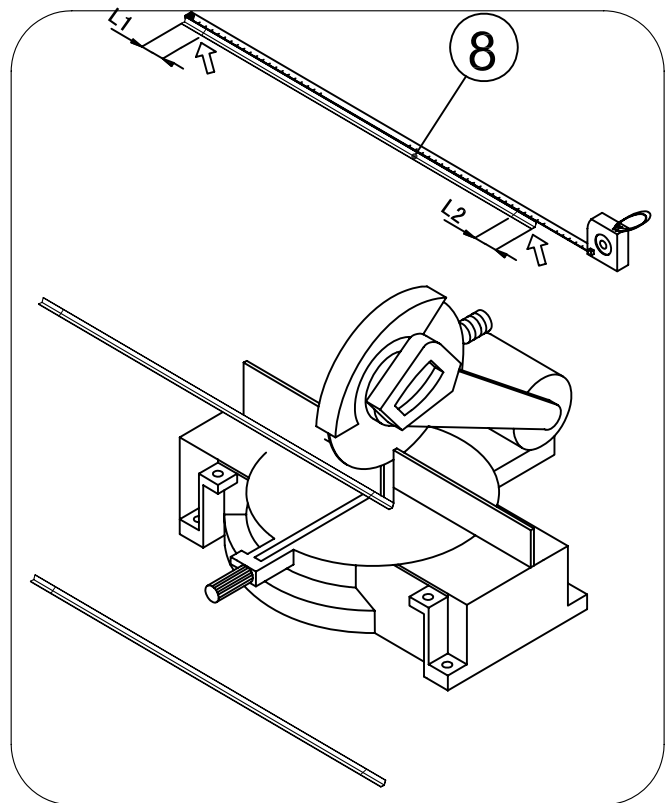
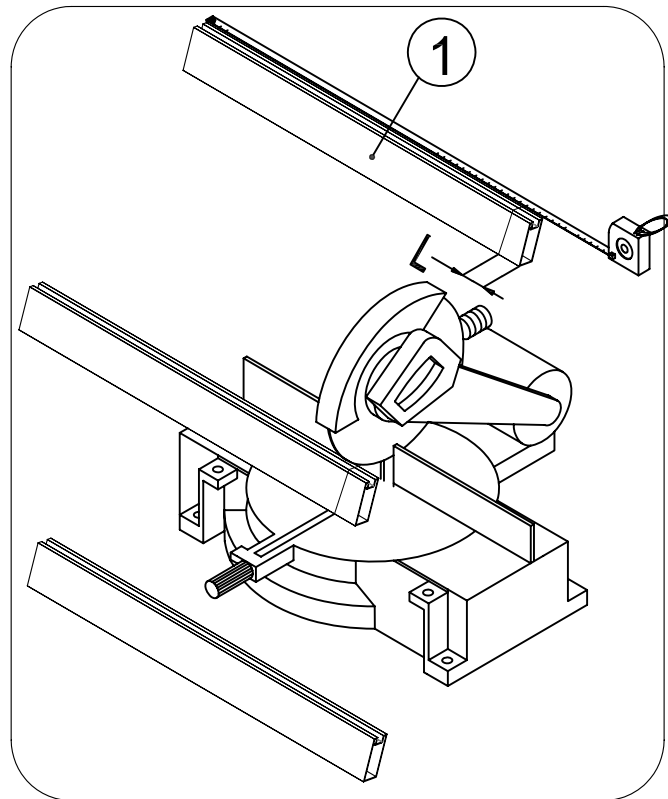


Fig 2

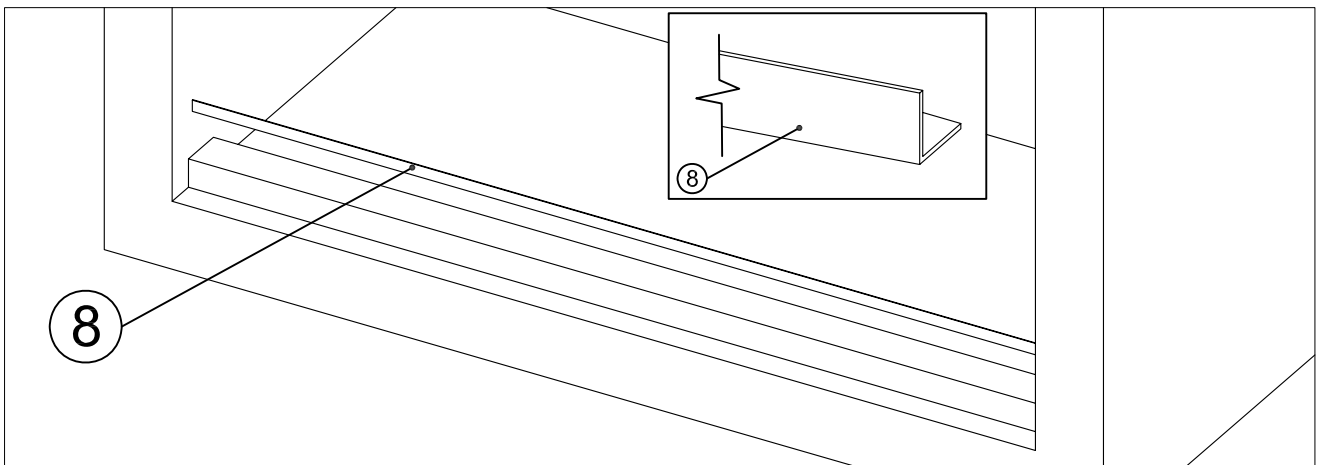
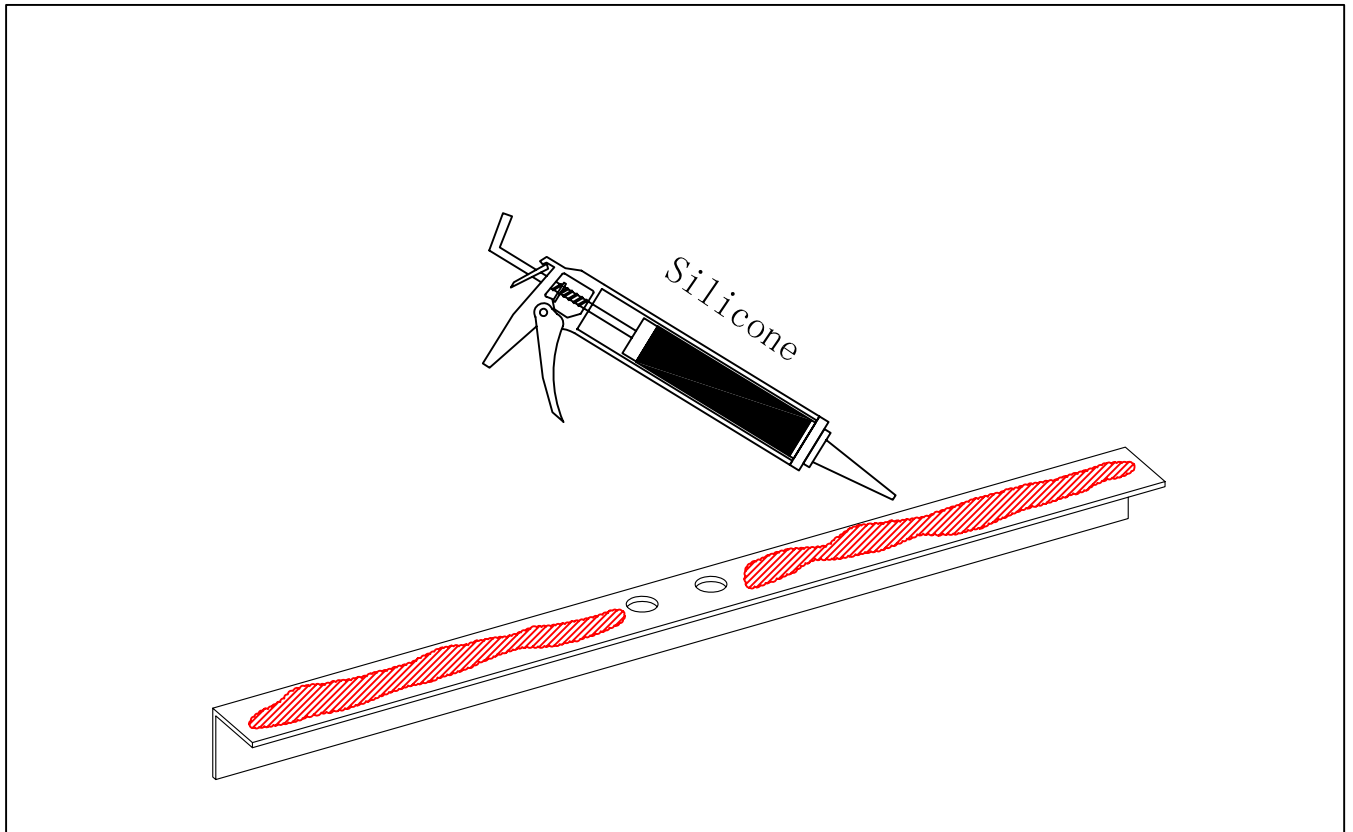


Fig 3

3. Apply some silicone onto the bottom of the Anti-splash threshold(8),and stick it onto the shower base/threshold in front of the Glass Door.

Please see Fig 3 for details

4. Clip the Wall Profile(2) into the end of the Anti-Splash threshold(8).

Please see Fig 4 for details

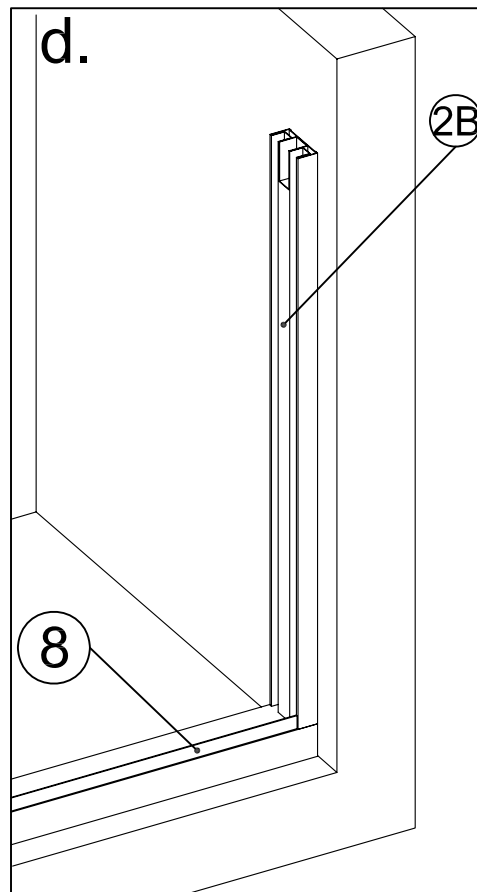
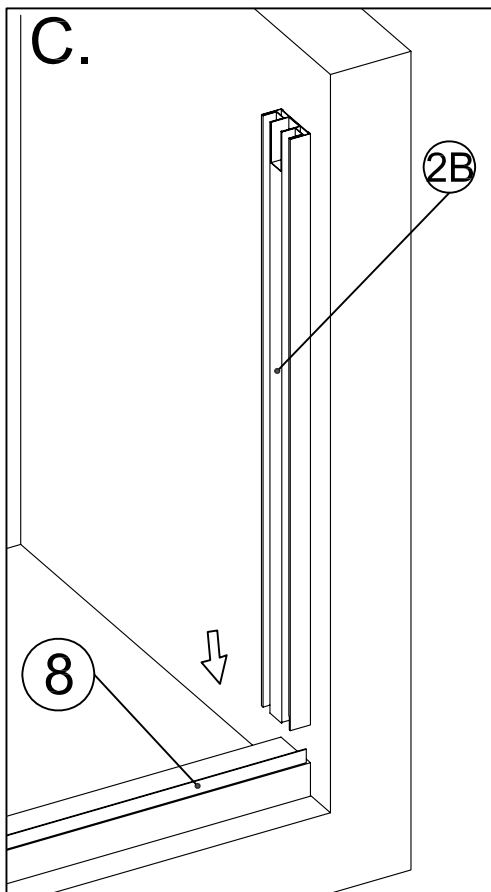
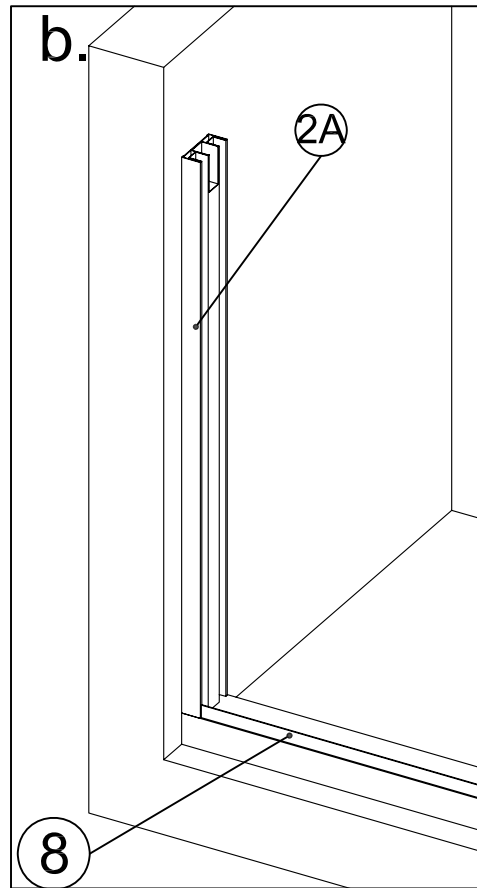
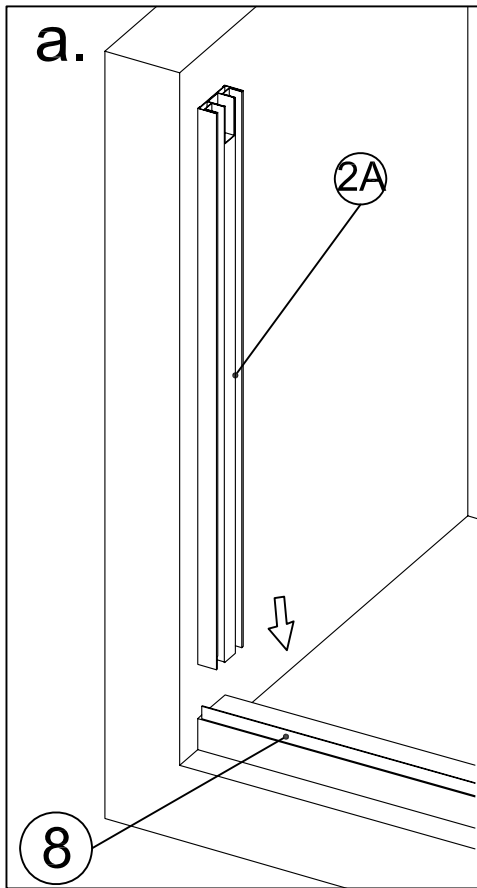
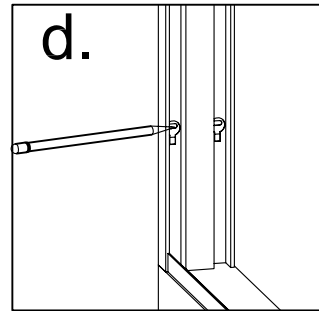
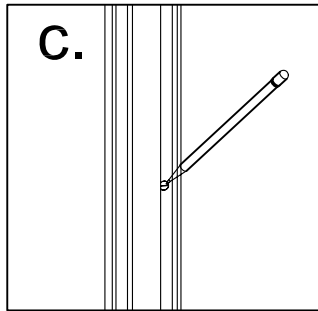
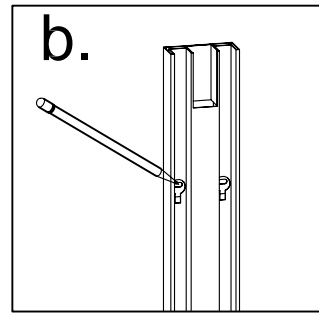
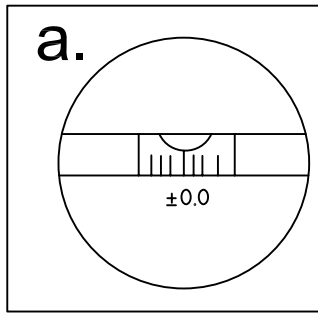
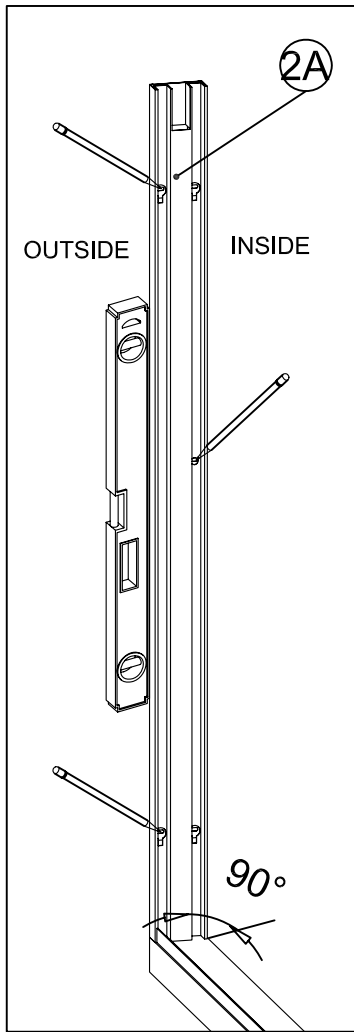


Fig 4



5. Ensure the Wall Profile(2) cling to the wall at both side and vertical to the floor. Outline the drilling hole position on the Wall Profile(2).

Please see Fig 5 for details

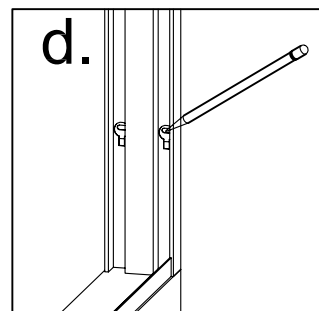
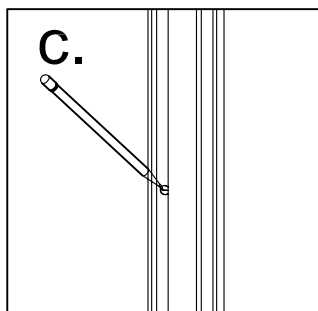
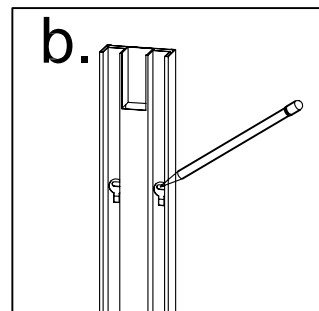
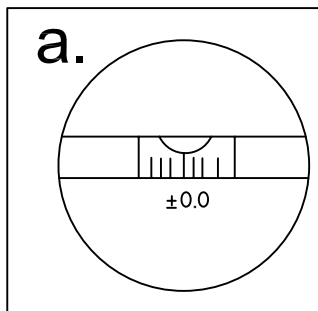
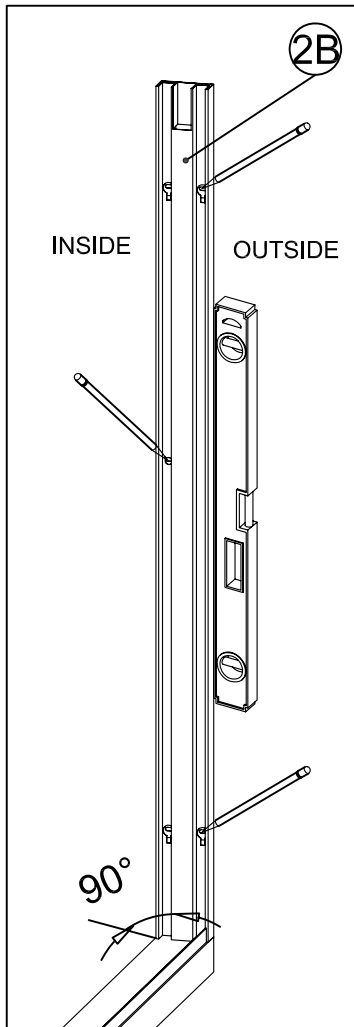
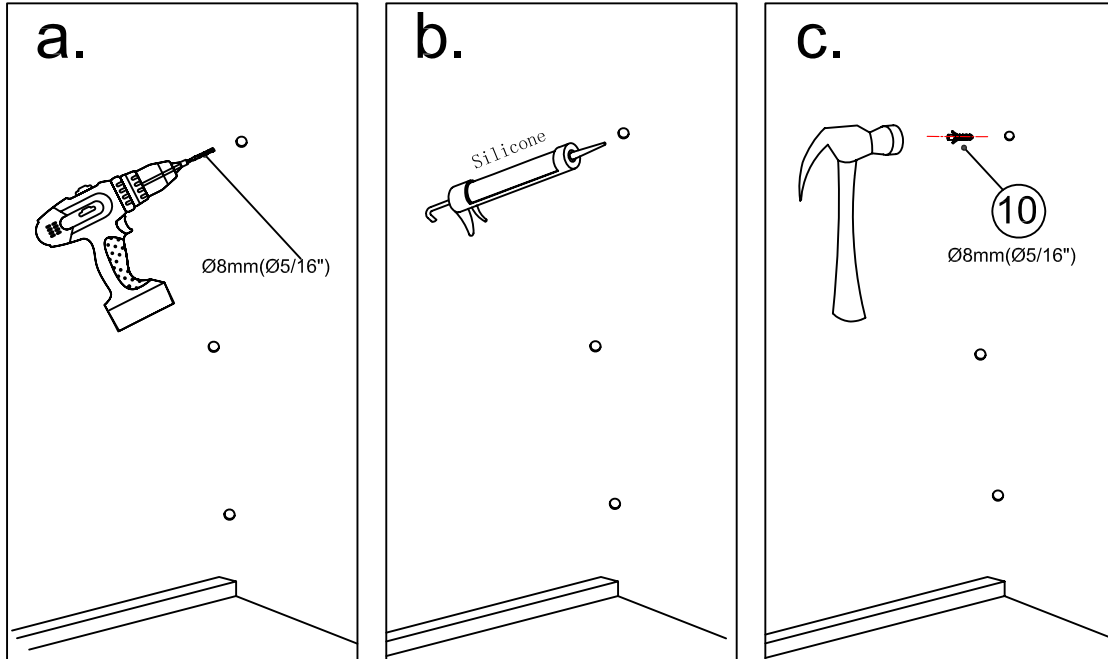


Fig 5

6. Drill the holes on the wall using $\varnothing 8\text{mm}(\varnothing 5/16\text{'})$ drill bit and apply silicone into the holes, knock in Wall Anchors (10).

Please see Fig 6 for details

Right side wall



Left side wall

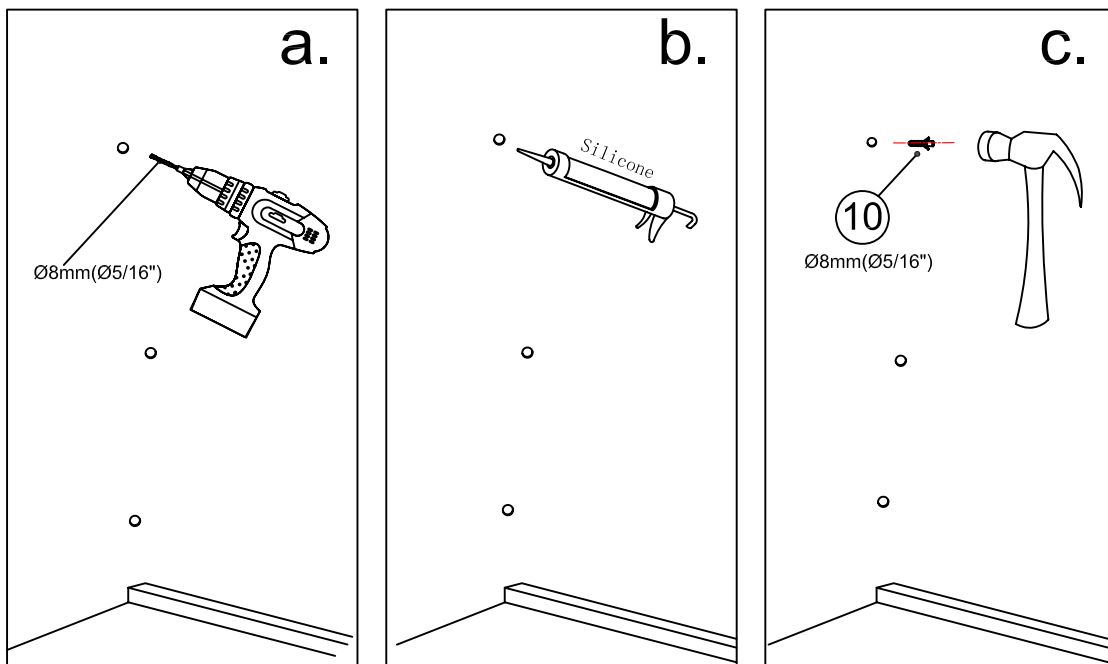
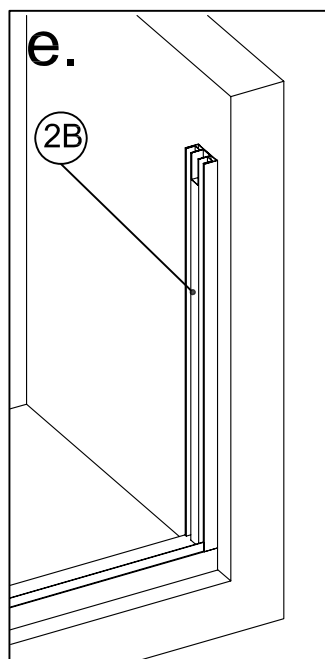
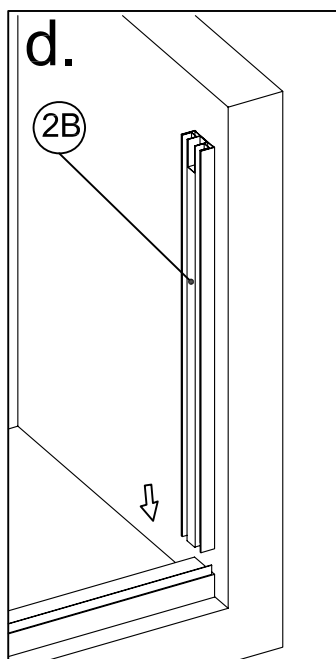
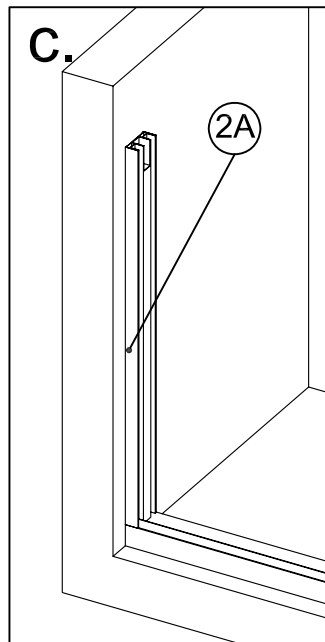
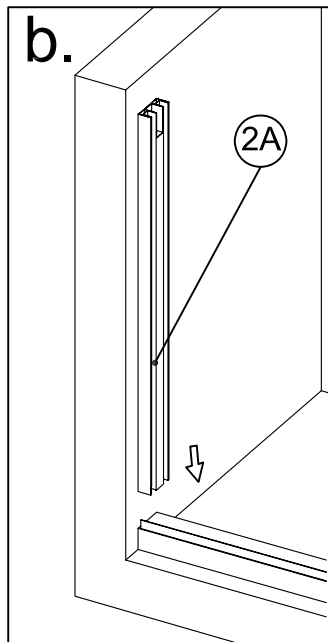
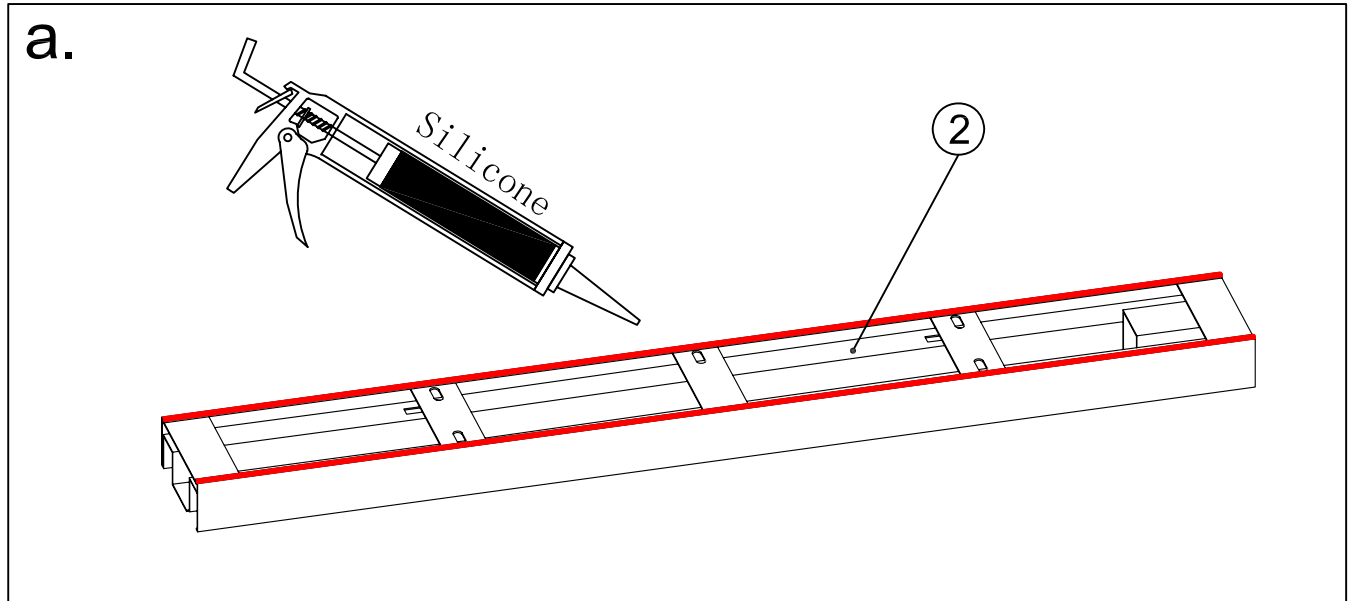


Fig 6



7. Apply some silicone onto the back of the Wall Profiles. And clip it into the end of the Anti-Splash threshold(8)

Please see Fig 7 for details

Fig 7

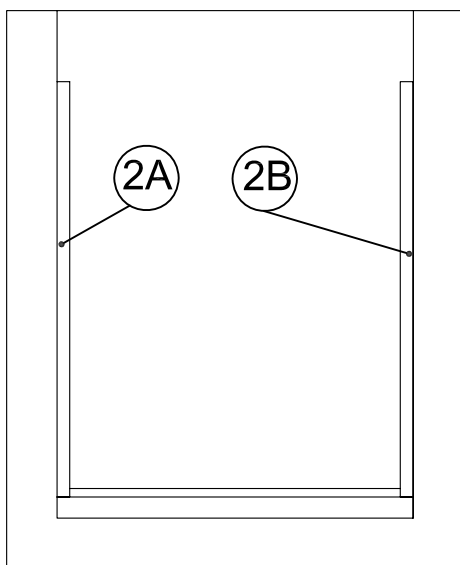
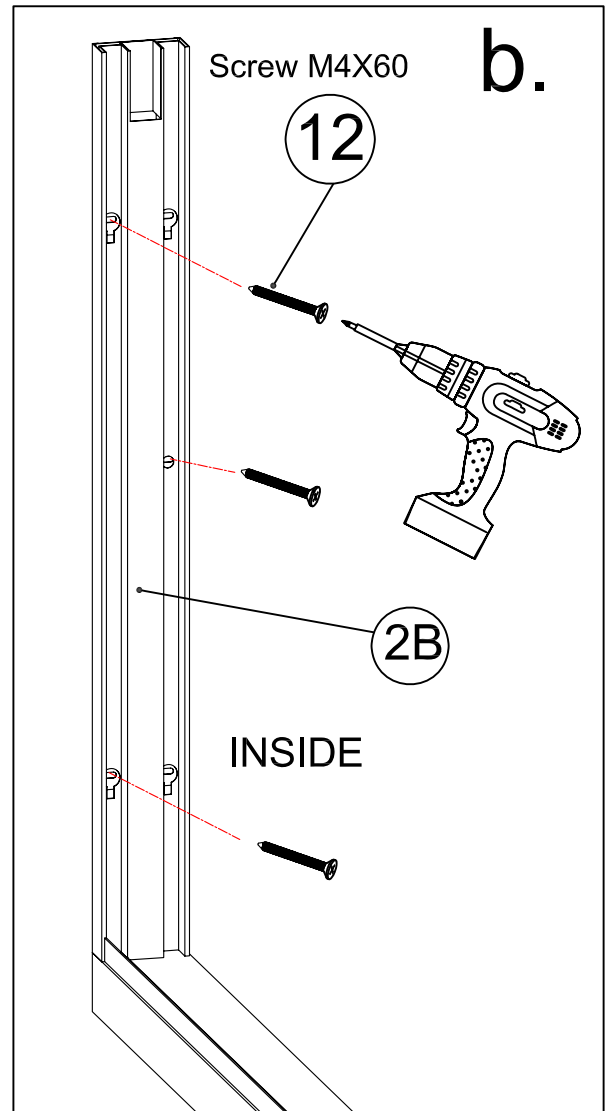
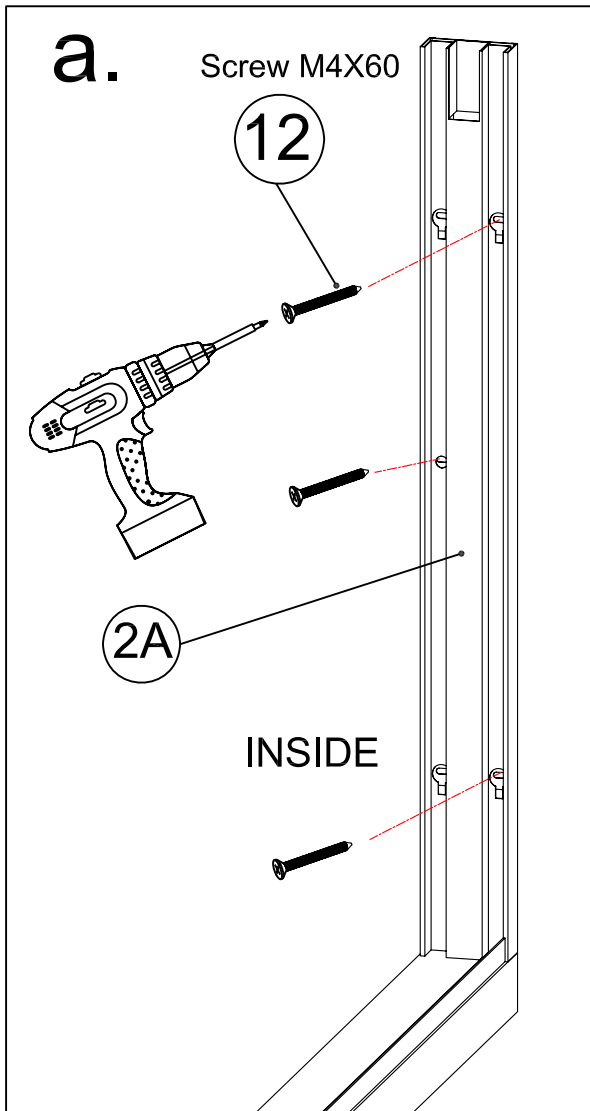
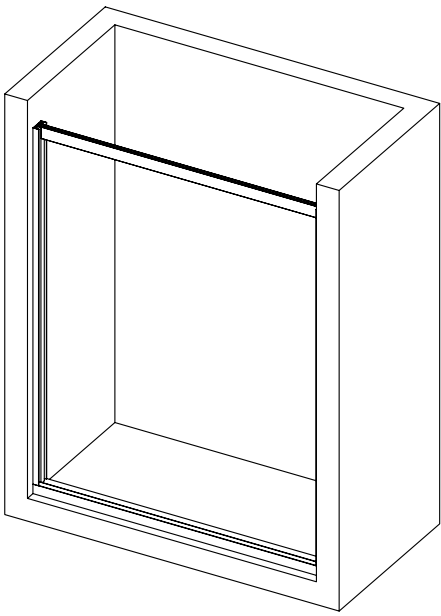


Fig 8

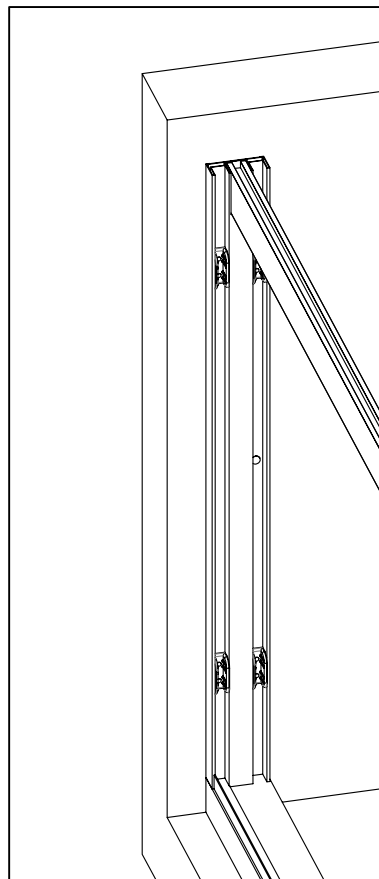
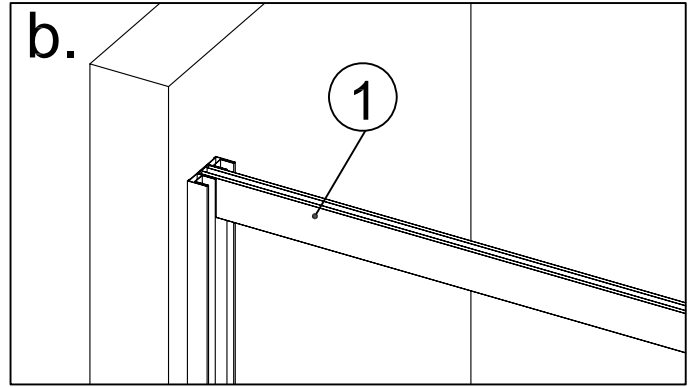
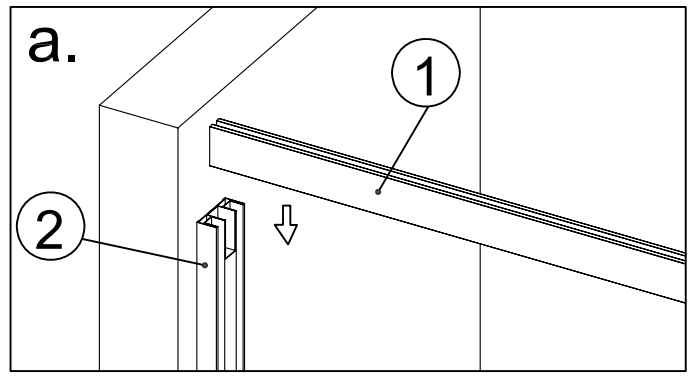
8.Lock the wall profile onto the wakk with M4X60 screws

Please see Fig 8 for details



9. Clip upper Guide Rail(1)
into Wall Profile(2)

Please see Fig 9 for details



9.1. Position Glass Door Stopper(3)
in the slot of wall profile(2) and snap
into place.
Put on screw cover in place.

Please see Fig 9 for details

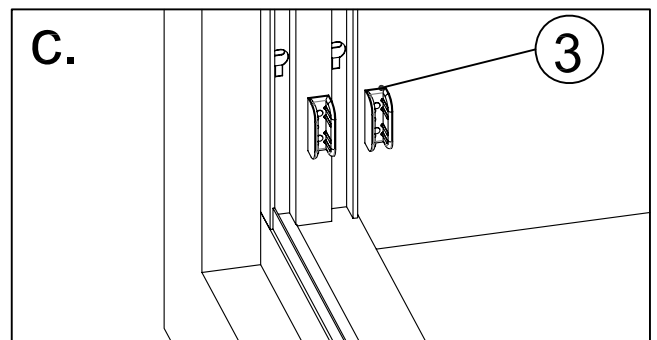
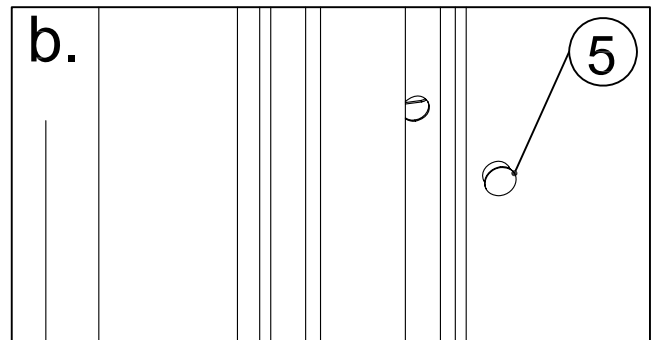
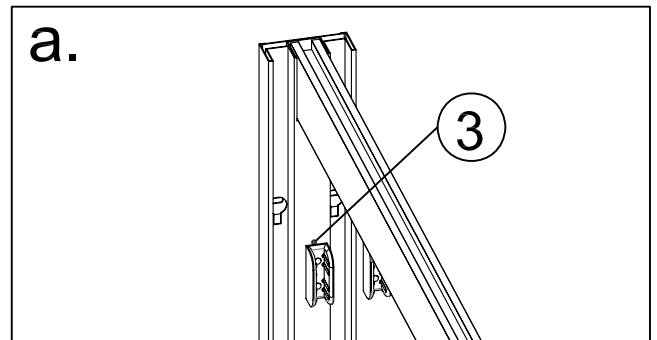


Fig 9

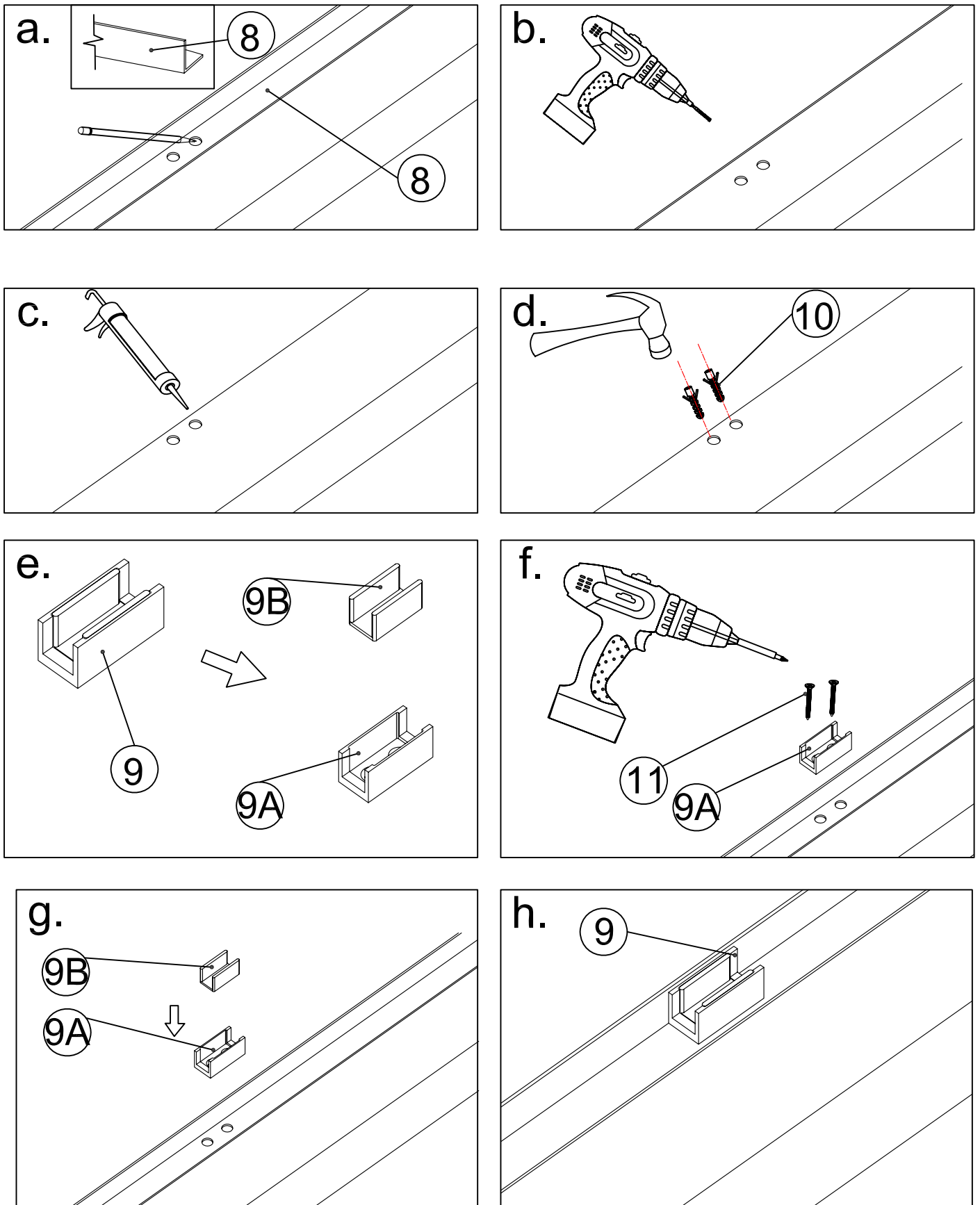


Fig 10

10. Outline the drilling position. Install ONE Guide Block(9) on the Anti-Splash threshold (8) Drill two holes on the Anti-Splash threshold(8) using $\varnothing 8\text{mm}$ ($\varnothing 5/16''$)drill bit and apply silicone into the holes,insert the Wall Anchor(10).

In stall ONLY ONE Guide Block(9)to the Anti-Splash threshold using the screwM4X30(11).

Please see Fig 10 for details

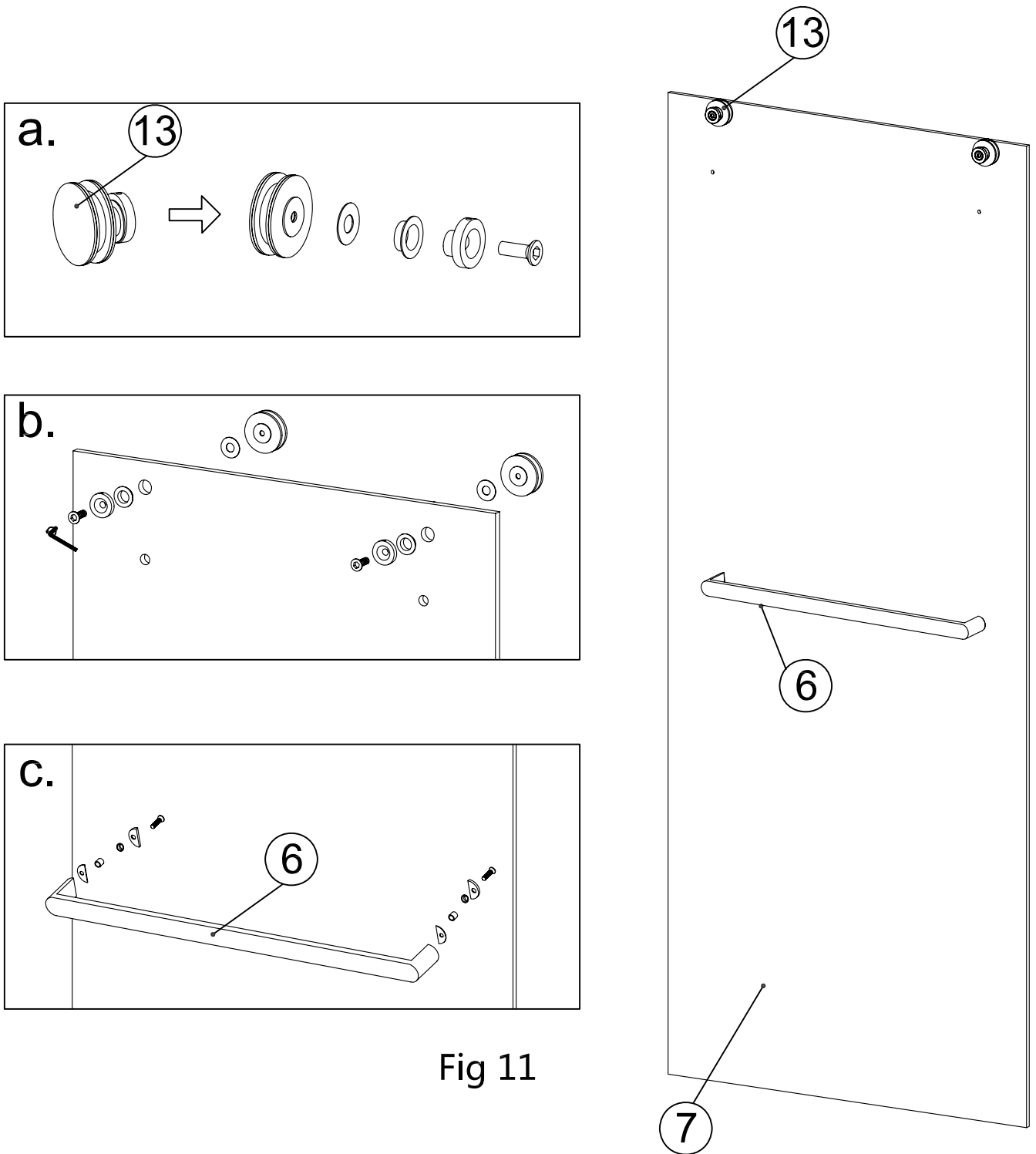


Fig 11

- 11.1. Install Rollers(13) on Glass Door(7).
- 11.2. Install Towel Bars(6) on Glass Door(7).

Please see Fig 11 for details

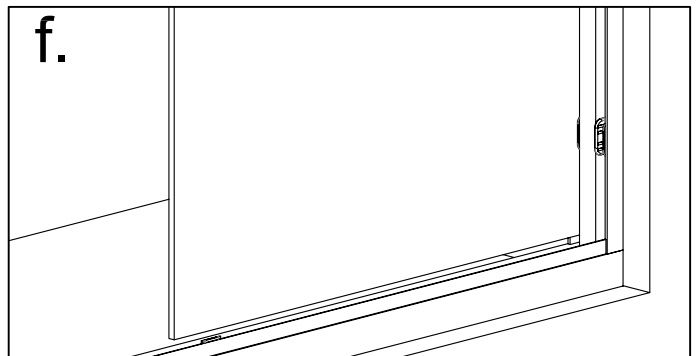
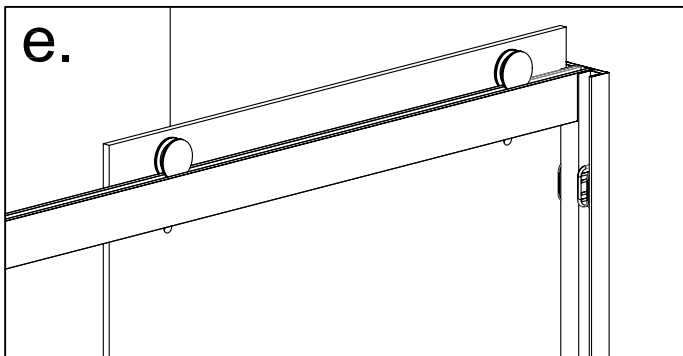
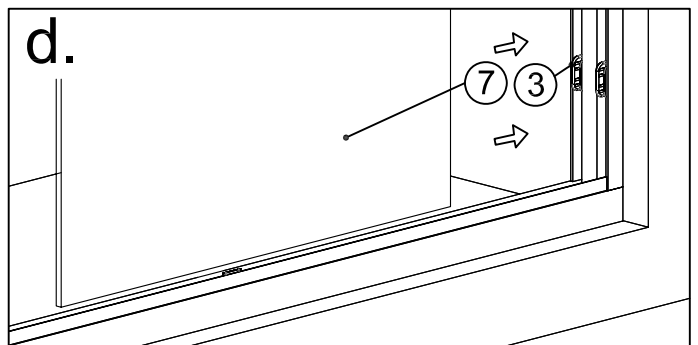
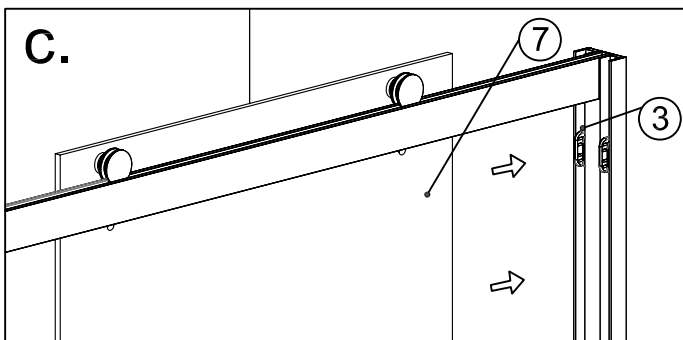
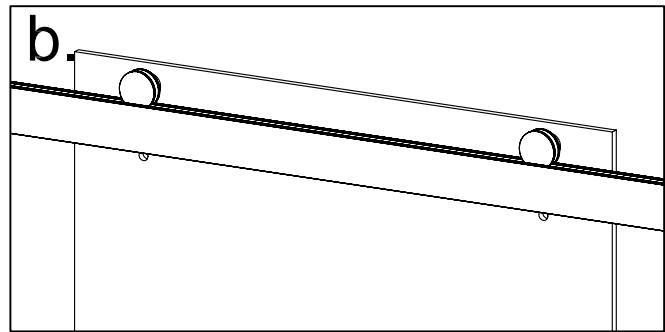
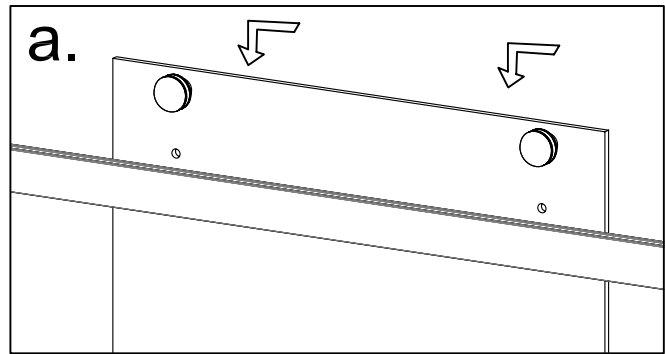
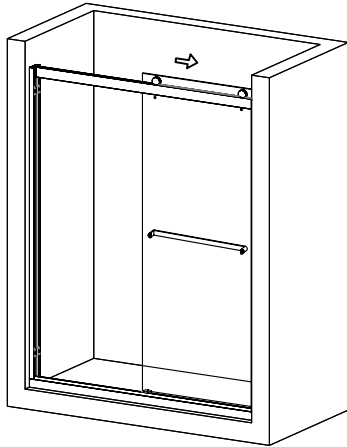
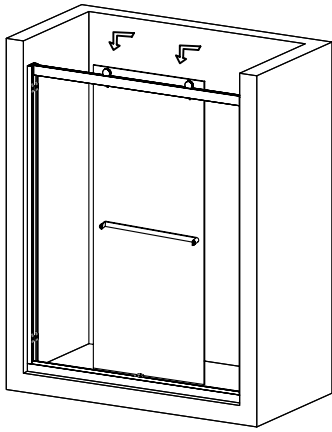


Fig 12

12. Rise the Glass Door to make rollers hang on the Top Guide rail. Slide the glass door to one side of wall and clip into the Glass Door Stopper(3).

Please see Fig 12 for details

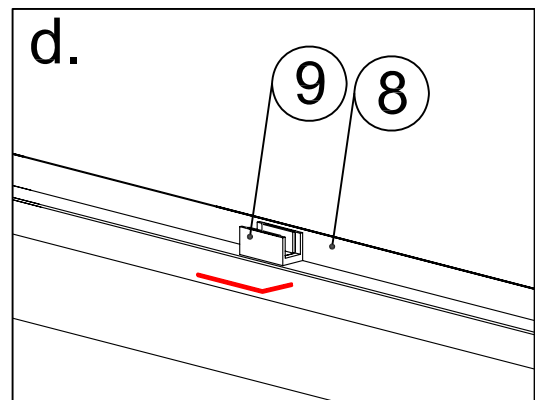
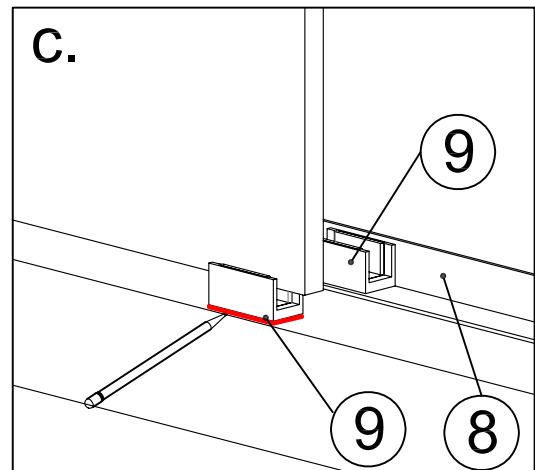
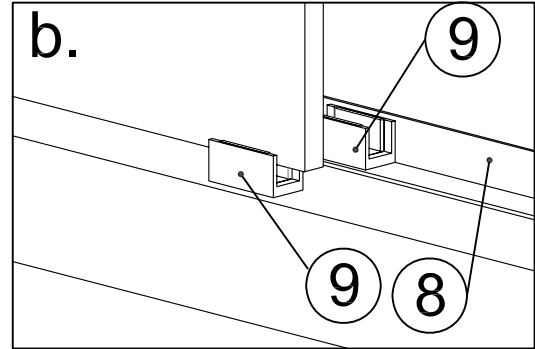
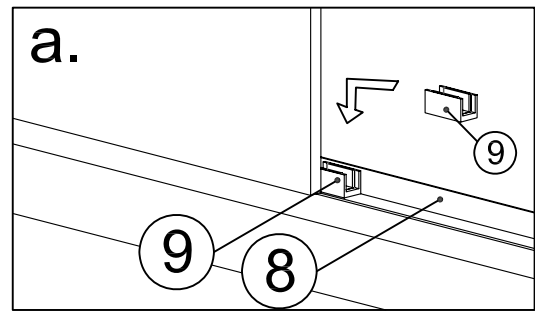
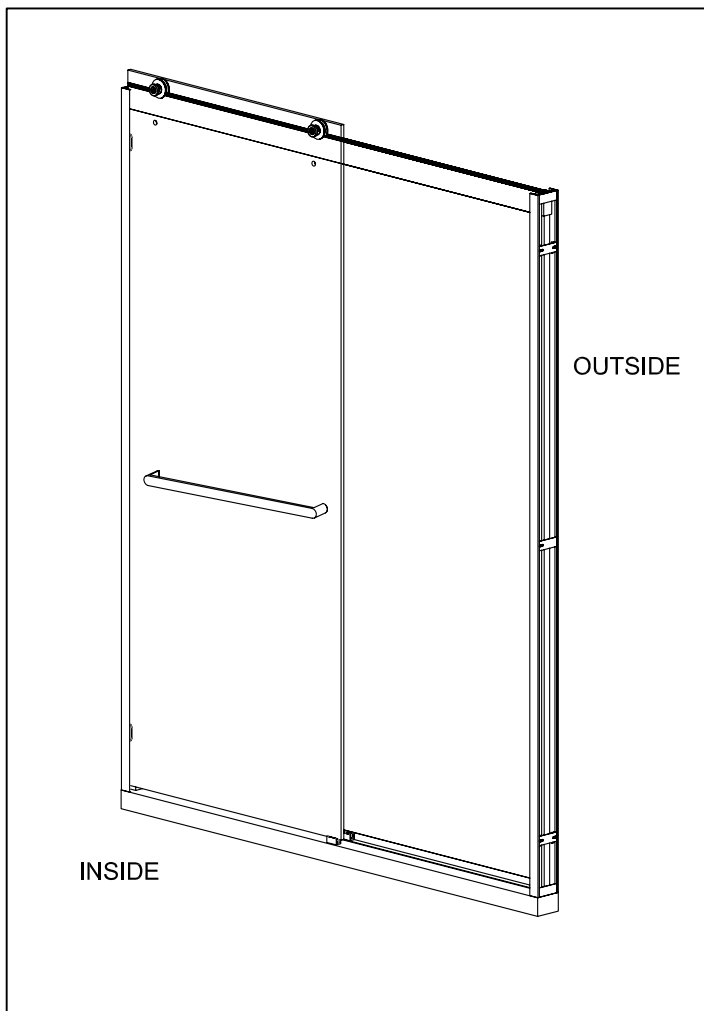


Fig 13

13. Put the rest Guide Block(9) under the glass door(7) on the shower base, outline the drilling position. And then take off the glass door and put it aside.

Please see Fig 13 for details

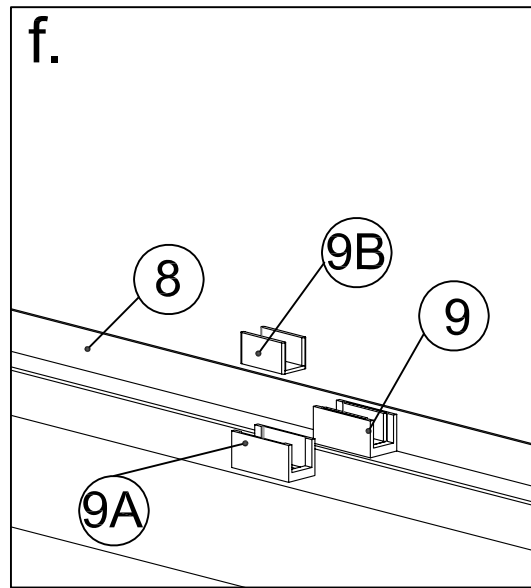
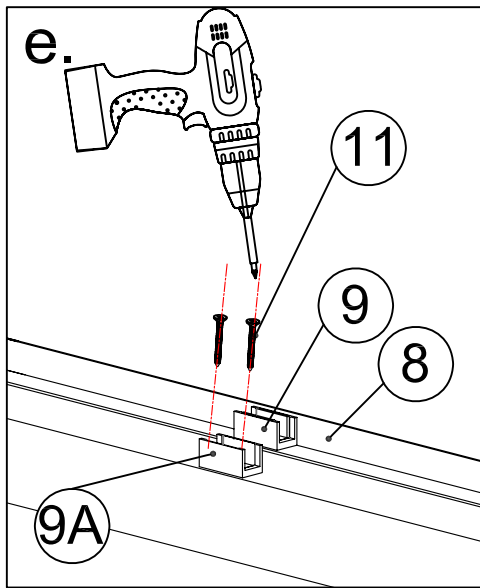
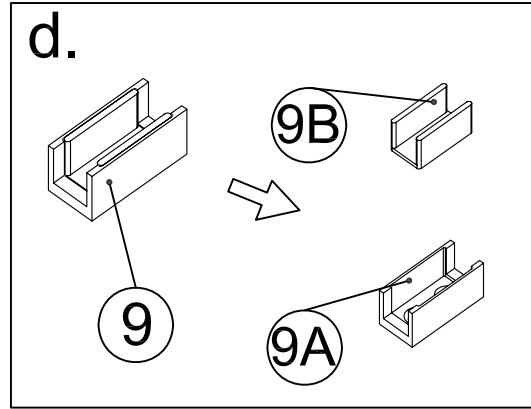
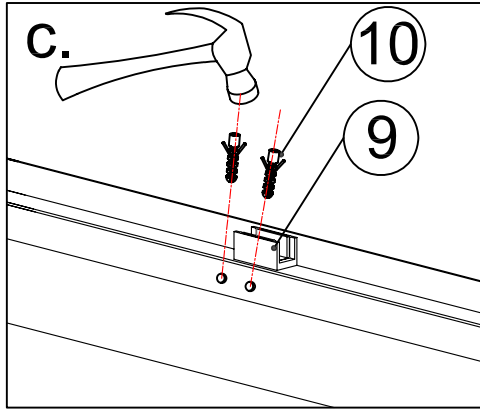
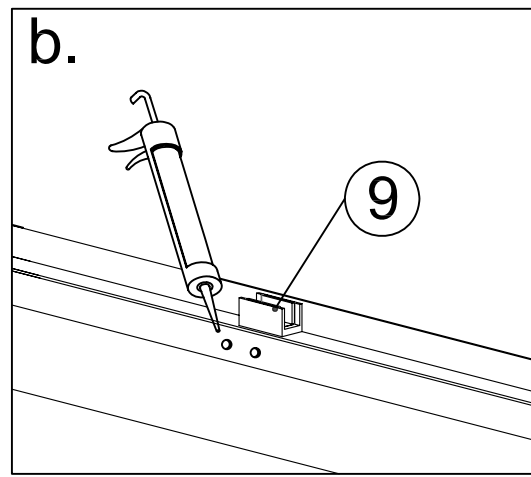
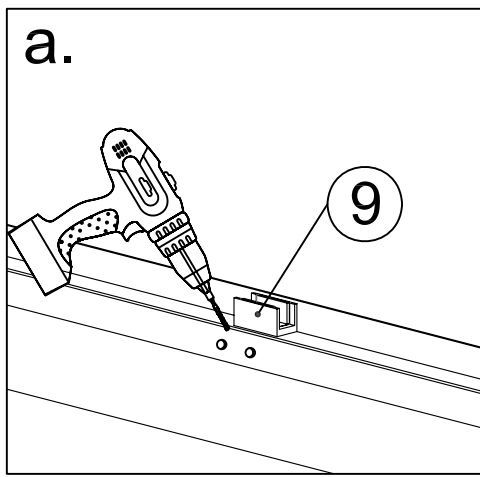


Fig 14

14. Drill the holes on the shower base using $\text{Ø}8\text{mm}(\text{Ø}5/16\text{'})$ drill bit and apply silicone into the holes, knock wall Anchor in. Take off the metal sheet(9B) from the Guide Block, and lock the Guide Block base(9A) using screw M4X30(11). Put the metal sheet (9B) back to the Guide Block base(9A).

Please see Fig 14 for details

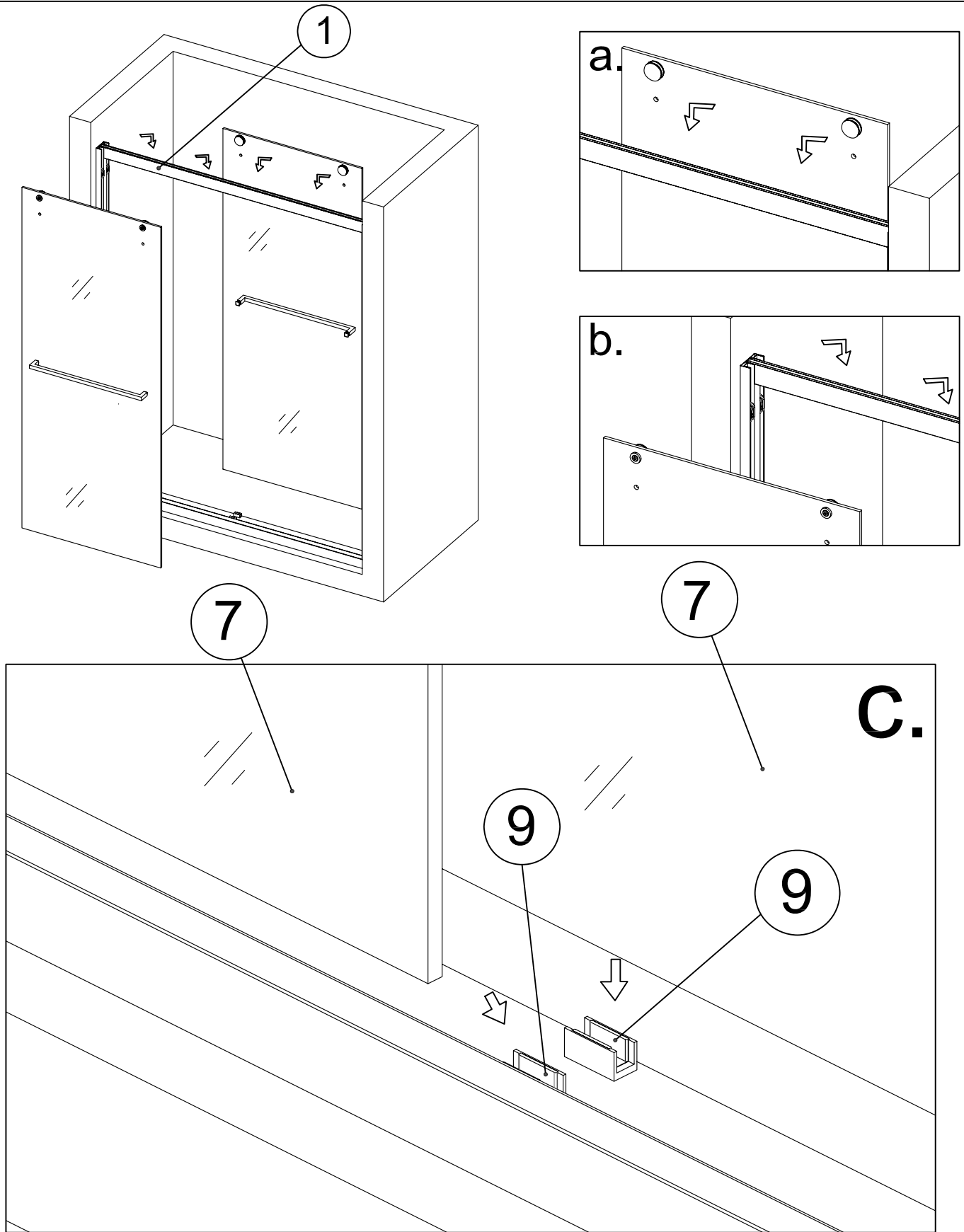


Fig 15

15. Hang on the glass to the top Guide Rail again and place the glass bottom side to the Guide Block(9) slowly.

Please see Fig 15 for details

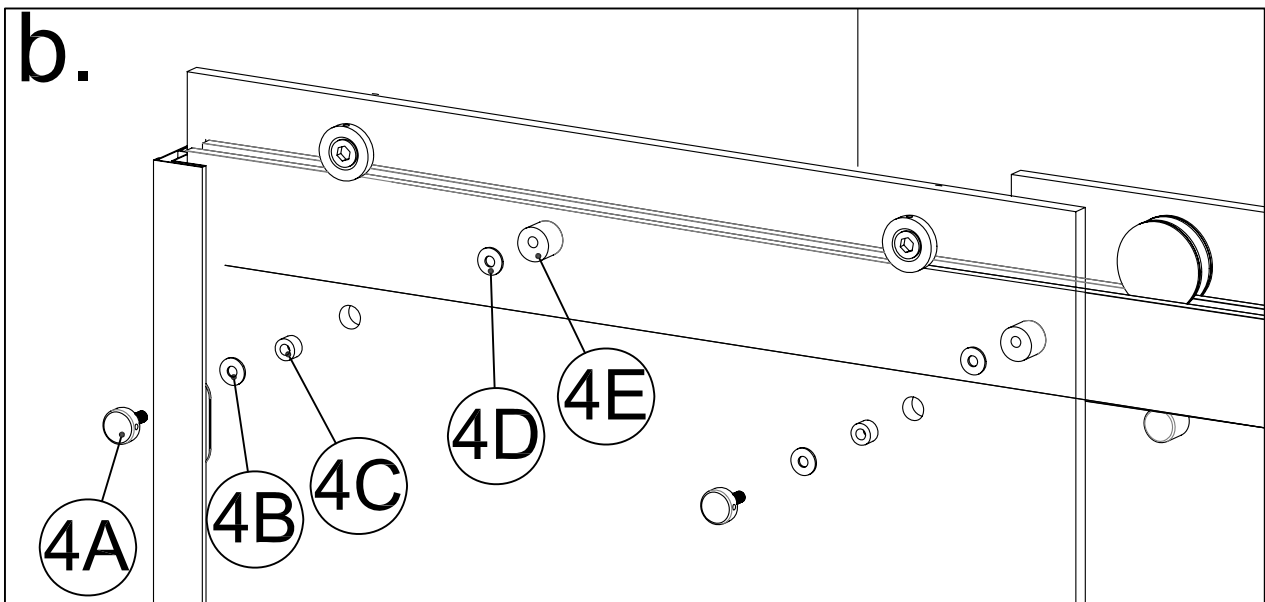
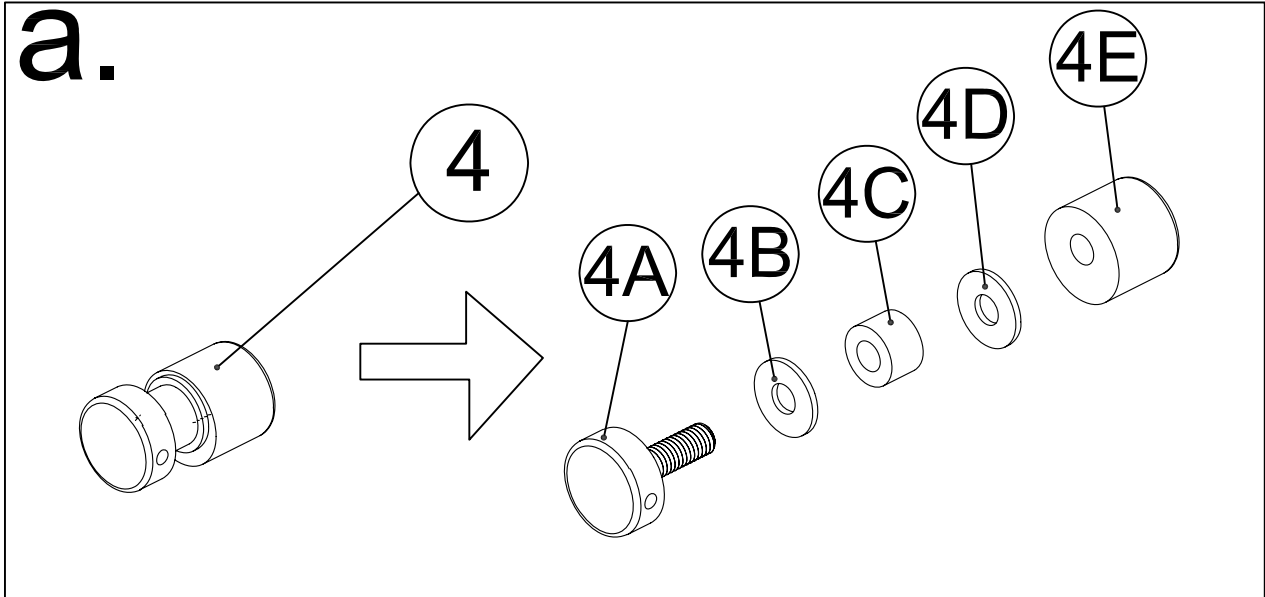


Fig 16

16. Install the safety pin onto the Glass Door.

Please see Fig 16 for details

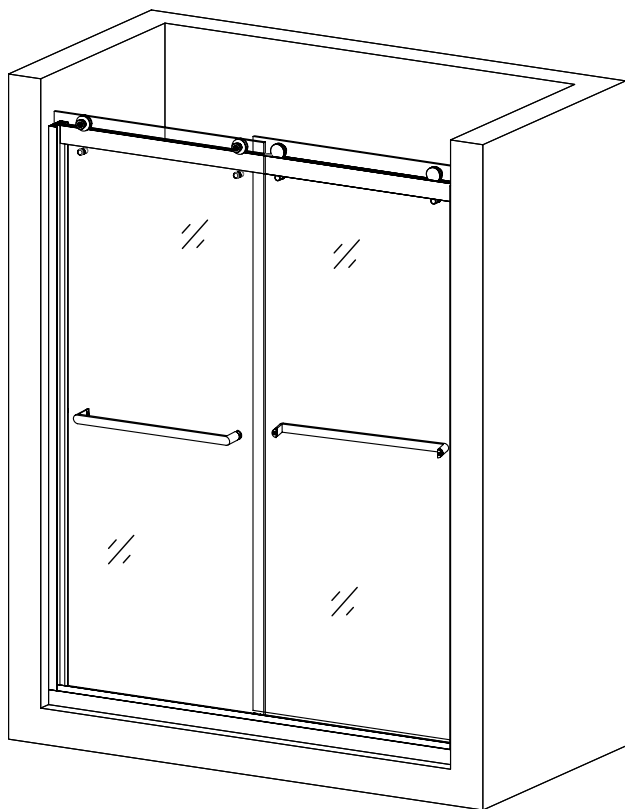
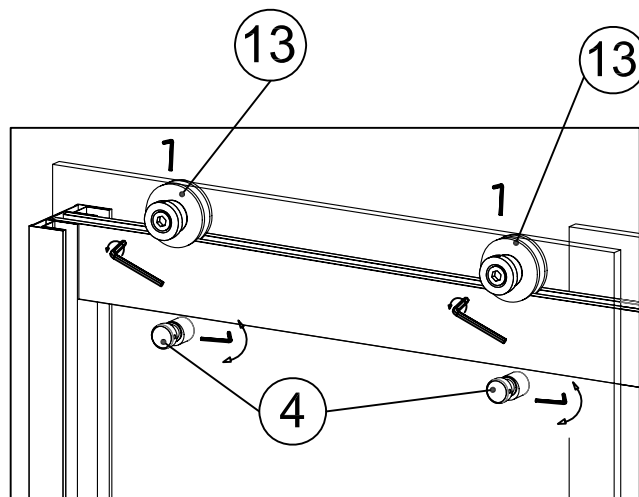


Fig 17



17. Make sure that the Glass Door with Rollers hang on the Upper Guide Rail(1), and the glass bottom is inside the Guide Block(9),now adjust the screws of the rollers(13) and safety pin(4), to make sure the glass door could be sliding smoothly.

Please see Fig 17 for details

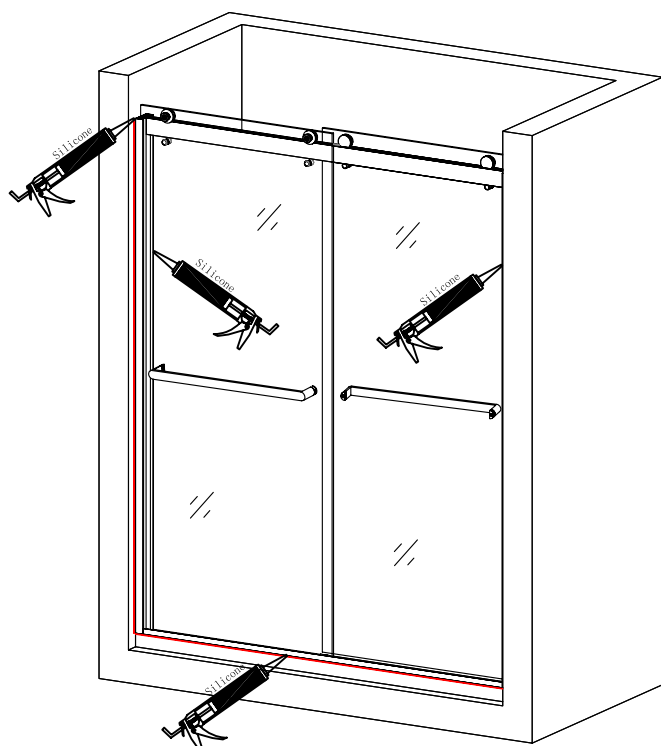


Fig 18

18. Apply silicone sealant on the seams between the Anti-Splash Threshold and the shower tray/threshold, and between the wall and the wall profile.

See Figure 18 for details.

