

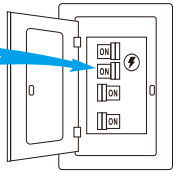
## SAFETY PRECAUTION:

### IMPORTANT: PLEASE READ BEFORE INSTALLATION:

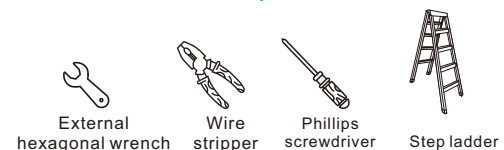
- Before you begin installing the fan, shut power off at the circuit breaker of the fuse box.
- CAUTION:** Read all instructions and safety information before installing your new fan. Review accompanying assembly diagrams.
- Make sure that all electrical connections are in accordance with National Electrical Code, ANSI/NFPA 70 and local codes. Hire a licensed electrician if you are unfamiliar with installing electrical wiring.
- Make sure the installation site you choose allows the fan blades to rotate without any obstructions. Allow a minimum clearance of 2.1m (7 feet) from the floor and 18 inches from the tip of the blades to the wall.
- WARNING:** To reduce the risk of fire, electric shock, or personal injury, mount to outlet box marked "Acceptable for Fan Support of 15.9 kg (35 lbs) or less" and use mounting screws provided with the outlet box.
- CAUTION:** To reduce the risk of injury, use only the screws provided with the outlet box in conjunction with the lock washers provided with the fan.
- The outlet box and support structure must be securely mounted and capable of reliably supporting a minimum of 35 pounds. Use only U.L. Listed outlet boxes marked "Acceptable for Fan Support of 15.9 kg (35 lbs) or less".
- After you install the fan, make sure that all mounting components are secured to prevent the fan from falling.
- Do not insert anything into the fan blades while the fan is operating.
- To change the direction of the rotation of the blades the fan must be in operation mode.
- All set screws must be checked and retightened where necessary before installation.
- WARNING:** To reduce the risk of personal injury, do not bend the blade bracket when installing the brackets, balancing the blades, or cleaning the fan. Do not insert foreign objects in between rotating fan blades.
- CAUTION:** To reduce the risk of electric shock, disconnect the electrical supply circuit to the fan before installing light kit.
- After making the wire connections, the wires should be spread apart with the grounded conductor and the equipment-grounding conductor on one side of the outlet box and the ungrounded conductor on the other side of the outlet box.
- The splices after being made should be turned upward and pushed carefully up into the outlet box. Conductor wiring identified as grounded is to be connected to a grounded conductor of power supply. Conductor wiring identified as ungrounded conductor is to be connected to an ungrounded conductor. Conductor wiring identified for equipment grounding is to be connected to an equipment-grounding conductor.
- This device complies with part 15 of the FCC Rules. Operation is subject to the following two conditions: (1) This device may not cause harmful interference, and (2) this device must accept any interference received, including interference that may cause undesired operation.
  - WARNING:** To reduce the risk of fire or electric shock, this fan must be installed with a general use, isolating wall control/switch.
  - WARNING:** To reduce the risk of fire or electric shock, do not use this fan with any solid-state speed control device.
- NOTE:** The important safeguards and instructions appearing in this manual are not meant to cover all possible conditions and situations that may occur. It must be understood that common sense, caution and care are factors which cannot be built into this product. These factors must be supplied by the person (s) installing, caring for and operating the unit.
- This product is suitable for use in damp locations.
  - CAUTION:** The light source is designed for this specific application and can overheat if serviced by untrained personnel. If any servicing is required, the product should be returned to an authorized service facility for examination or repair.

### BEFORE YOU START

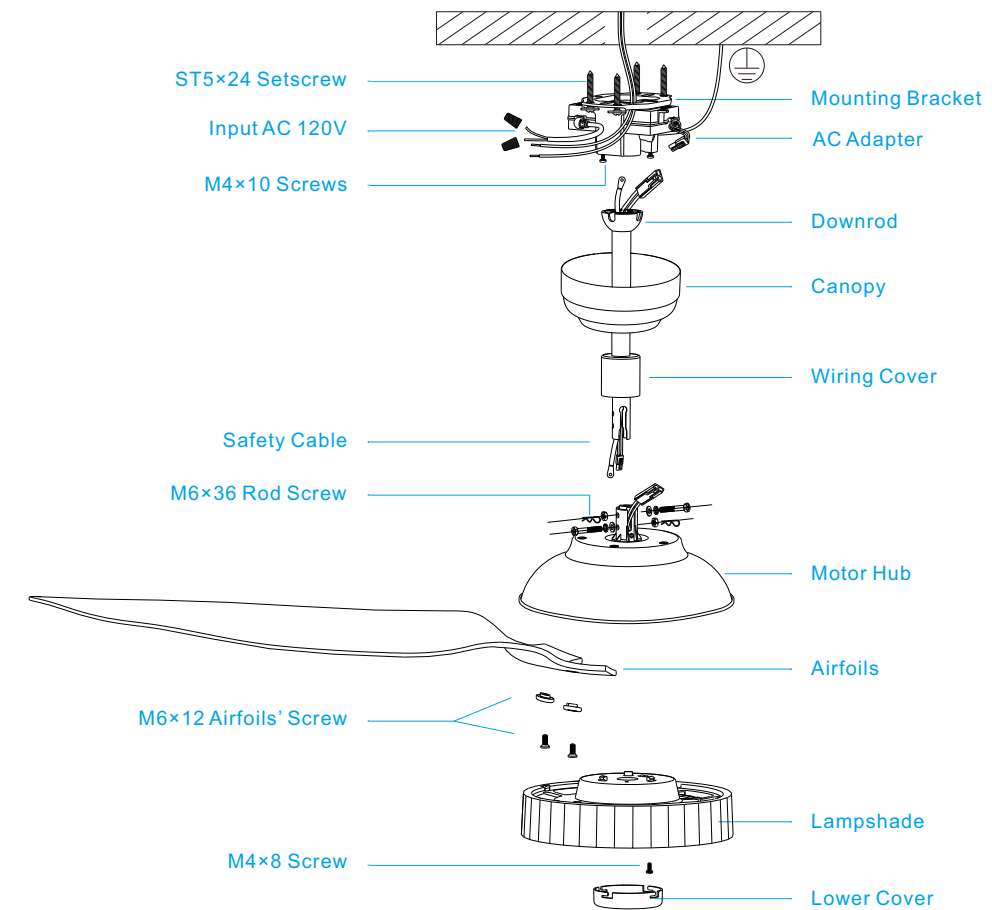
Contact a licensed electrician if you are uncomfortable performing electrical work. A licensed electrician must install the fan if required by local code. Do not use the fan with a dimmer switch. Turn off power at breaker.



### Tools and Materials Required



### Product instruction:



### SCREWS BAG

|      |       |       |       |       |      |
|------|-------|-------|-------|-------|------|
|      |       |       |       |       |      |
| 1 pc | 4 pcs | 6 pcs | 2 pcs | 3 pcs | 1 pc |

### Installation:

#### 1 Install Airfoils:

- Put out the motor hub from the package box and place it upside down on the motor paper holder. Make sure each airfoil matches the corresponding place with the tri-color label on the hub and tighten the screws. (See Fig 1.1)
- Three airfoils installed. (See Fig 1.2)

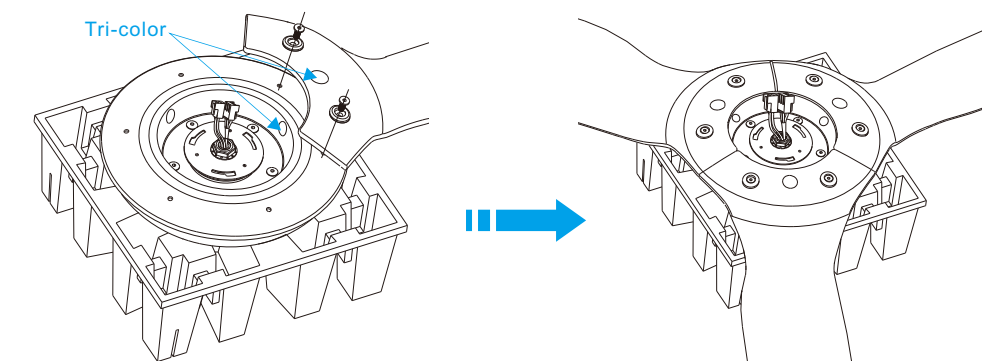


Fig 1.1

Fig 1.2

#### 2 Install Lampshade

- Insert screwdriver into motor hub shaft. Place lampshade onto motor hub. While holding screwdriver to prevent motor hub rotation, rotate and twist the lampshade to lock into place. Make sure the lampshade matches into the snap joints. Push down the lampshade and rotate to right side. (See Fig 2.1)

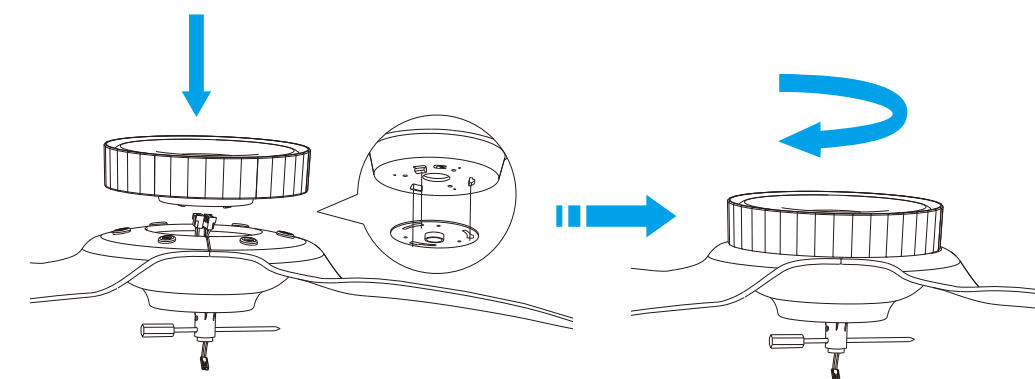


Fig 2.1

- Insert the 2P terminal and the 3P terminal into the corresponding terminal interfaces on the circuit board, and then install the M4x8 screw to secure the lampshade in place. (See Fig 2.2)
- Snap the small cover into the hole of the lampshade and tighten it in the direction indicated by the arrow. (See Fig 2.3)

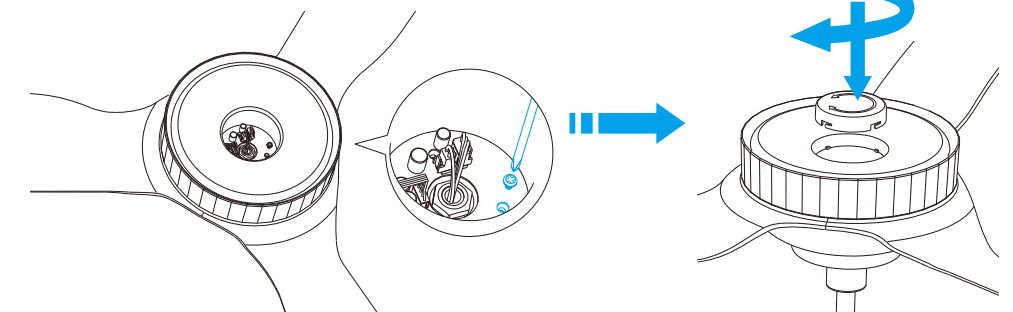


Fig 2.2

Fig 2.3

**Warning:** Make sure you tighten the screw to secure the lampshade, otherwise the lampshade will loosen or drop down when the fan is running.

#### 3 Attach Downrod:

- Assemble down rod as pictured in Fig 3.1. (Please select the suitable length of rod for your ceiling.)
- NOTE:** If you choose to install a safety Cable/chain onto your ceiling fan, you will need to run it through the downrod prior to installation.

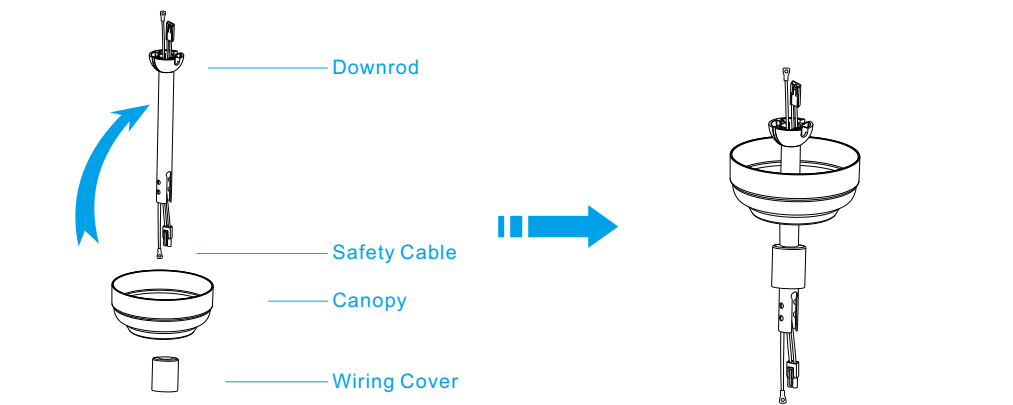
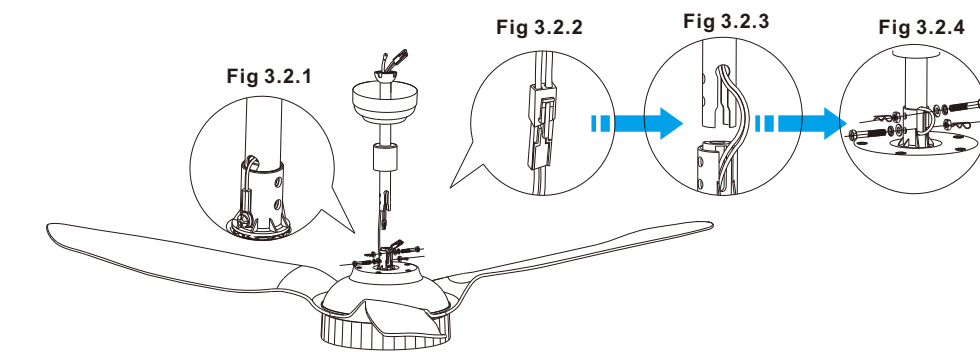


Fig 3.1

- Remove the screw which already fixed in side of motor shaft, then connect the safety cable with motor shaft firmly by this screw. (See Fig 3.2.1)

Connect the wiring harness from the downrod to the receptacle from motor wire. After finished, hide the wire into downrod. (See Fig 3.2.2)

Take out a part of the power cord to avoid the screw holes (See Fig 3.2.3). Insert the bolts from both ends of motor shaft separately and make sure the bolts and nuts are tightened firmly with a screwdriver and included wrench. (See Fig 3.2.4) (For added stability, we recommend the bolts be installed in opposite directions from each other, and/or blue thread-locking compound used on the threads). If the bolt setup utilizes hitch-pins, please make sure the pins are clipped securely onto the bolt.)



#### 4 Assembly — Hanging the Fan:

Install the mounting bracket to the ceiling box, as shown in Fig 4.1 below. Rotate the mounting bracket in different directions so that the bracket mounting holes match the screw holes of the ceiling box.

**Note:** This mounting bracket is a standard cable box. If the mounting bracket is installed at the outlet box, it should be installed on the outlet box with two screws matching the outlet box itself, as shown in Fig 4.1.

This bracket can also be mounted to the wooden ceiling beam, and then the four STx24 screws can be used to lock the corresponding holes on the left and right sides of the bracket.

**Note:** The wooden ceiling beam must meet the tensile test of 30KG for installation, as shown in Fig 4.2. It is also possible to install the mounting bracket directly to the concrete ceiling and install four screws to the left and right corresponding holes of the bracket to lock the ceiling, as shown in Fig 4.3.

#### If you have an angled or vaulted ceiling: (Fig 4.4)

- When installing the mounting bracket, the bracket groove is upward.
- You will need a longer downrod.
- If your ceiling angle is wider than 25°, you will also need an Angled Mounting Kit.

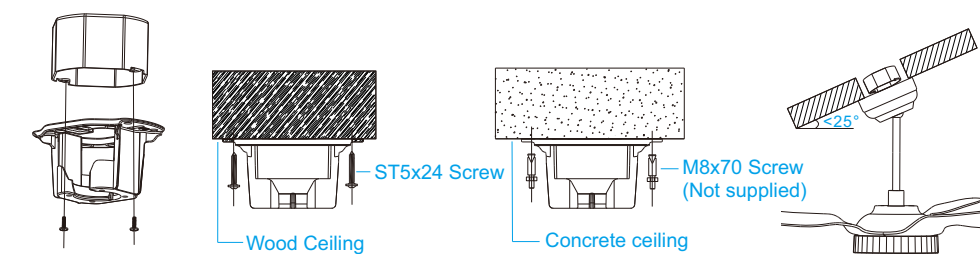


Fig 4.1

Fig 4.2

Fig 4.3

Fig 4.4

### 5 Hanging Ceiling Fan & Installing Power Adapter & Wiring the Fan:

**⚠ WARNING: To reduce the risk of fire, electric shock or other personal injury, mount the fan only to an outlet box or supporting system marked acceptable for fan support and use the mounting screws provided with the outlet box.**

**⚠ WARNING: Check to see that all connections are tight, including ground, and that no bare wires are visible at the wire nuts (except for the ground wire).**

**⚠ WARNING: To reduce the risk of fire or electric shock, do not use this fan with any solid-state speed control device.**

**⚠ WARNING: To avoid possible electrical shock, be sure electricity is turned off at the main fuse box before wiring.**

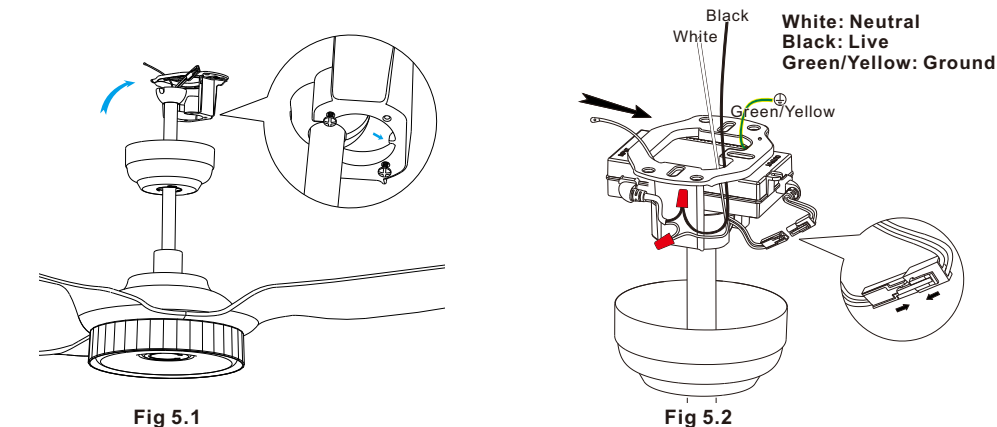
Hang the installed ceiling fan on the mounting bracket that mounted to the ceiling as shown in Fig 5.1, pay attention to the enlarged image as shown in Fig 5.1. The pivot ball on the down rod needs to hang from inside the socket of the bracket and match up with a slot to lock the pivot ball in place.

Connect the wire of the power adapter through the bracket as below Fig 5.2:

The wires will need to be bound together with electrical tape for added stability. Put the AC Adapter inside the bracket and connect the DC output wire with the wire from motor through the downrod. Make sure all wires are tucked in the canopy. Connect the AC input to the house electricity.

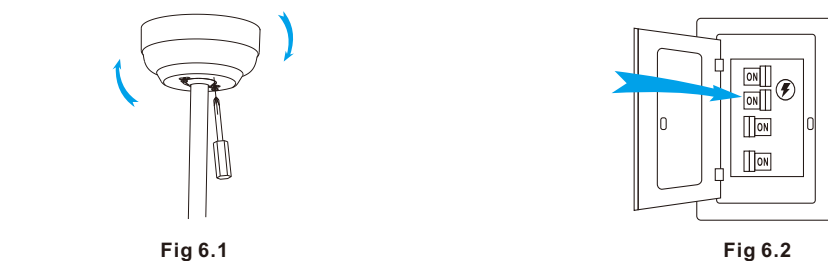
**Note:**The Green/Yellow wire from bracket connects with the ground wire from supply power, using the wiring cap to tuck the wires together and then hide inside the ceiling.

The White wire from AC Adapter connects with the Neutral wire from supply power, the Black wire from AC Adapter connects with the Live wire from supply power, using the wiring cap to tuck the wires together. (Make sure all the wires connect with the correct colors as shown below Fig 5.2)



### 6 Raise Canopy

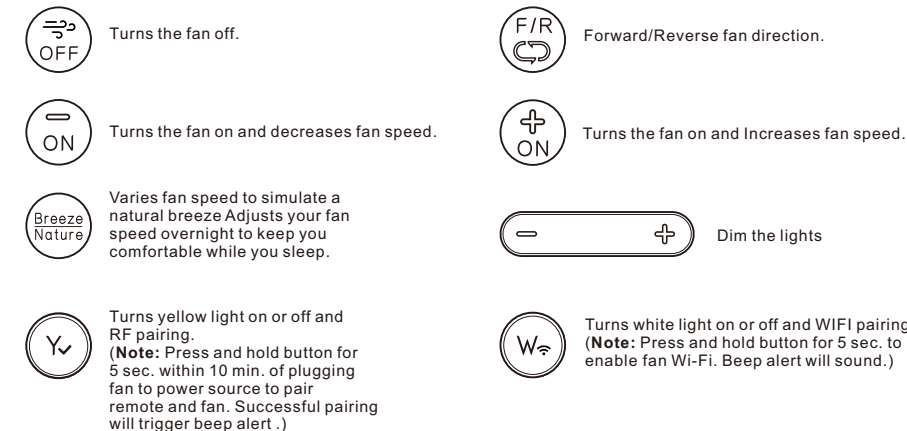
Make sure all wires are tucked in the canopy. Raise the canopy to the mounting bracket, aligning the two screws on the canopy with the holes on the bracket, Secure the canopy to the mounting bracket with the screws, see Fig 6.1. Installation is now complete. Turn on the power switch as Fig 6.2. Then the fan lights are on. Test and pair your fan immediately using the remote control.



### Remote control functions and Settings:

Note: Within 10 min. of plugging fan to power source, press and hold button for 5 sec. to pair remote control and fan. Successful pairing will trigger beep alert.

**Do not expose the remote control to rain or water.**



### Care and cleaning:

1. Check the support connections, brackets, and airfoil attachments twice a year. Make sure they are secure. Because of the fan's natural movement, some connections may become loose over time. It is not necessary to remove the fan from the ceiling.

2. Clean your fan periodically. Use only a soft brush or lint-free cloth to avoid scratching the finish.

The plating is sealed with a lacquer to minimize discoloration or tarnishing.

3. (Optional) Apply a light coat of furniture polish to the wood blades.

4. (Optional) Cover small scratches with a light application of shoe polish.

**Do not:**

1. Use water when cleaning. Water could damage the motor, or the wood, or possibly cause an electrical shock.

2. Apply oil to your fan or motor. The motor has permanently-lubricated sealed ball bearings.

**Note: Power off the fan before product maintenance or cleaning the fan.**

### FCC Statement:

**NOTE:**This equipment has been tested and found to comply with the limits for a Class B digital device, pursuant to part 15 of the FCC Rules. These limits are designed to provide reasonable protection against harmful interference in a residential installation. This equipment generates, uses and can radiate radio frequency energy and, if not installed and used in accordance with the instructions, may cause harmful interference to radio communications. However, there is no guarantee that interference will not occur in a particular installation. If this equipment does cause harmful interference to radio or television reception, which can be determined by turning the equipment off and on, the user is encouraged to try to correct the interference by one or more of the following measures:

- Reorient or relocate the receiving antenna.
- Increase the separation between the equipment and receiver.
- Connect the equipment into an outlet on a circuit different from that to which the receiver is connected.
- Consult the dealer or an experienced radio/TV technician for help.

**WARNING:** Changes or modifications to this unit not expressly approved by the party responsible for compliance could void the user's authority to operate the equipment.

### APP control Connection:

In addition to the included remote control, you can control the fan through the "Carro Home" app.

1. First download the app for free from the App Store or Google Play or scan the barcode below.
2. Open the app to create your account. The account with "Carro Home" can be registered through E-mail or Mobile phone. If you already have the account number, just log in with your username and password.
3. Set up a WIFI connection. (EZ Mode or AP Mode)

- a. Open "settings" to WIFI.
- b. Tap "Add device". (Make sure the fan is powered on and there is a red light blinking fast in the center of the ceiling fan lampshade.)
- c. Tap "Carro smart ceiling fan" button under "Air circulation" menu. Tap "Next". (The default pairing mode is EZ Mode for WIFI connection)
- d. Select your home WIFI and enter password, tap "Confirm".
- e. Wait for the connection to be completed, will enter the main control UI.



If you are unable to set up a WIFI connection via EZ Mode, try AP Mode and follow the below steps.

- a. Press and hold button for 5 seconds.
- b. Tap "Add device".
- c. Tap "Carro smart ceiling fan" button under "Air circulation" menu.
- d. Tap "Net Pairing Mode", select "AP Mode". Tap "Next".
- e. Select your home WIFI and enter password, tap "Confirm".
- f. Connect to Carro "CarroHome-xxxx" WIFI signal.
- g. Reopen the APP.
- h. Wait for the connection to be completed, will enter the main control UI.

4. The app will walk you through the main screen and show you how to create schedules, change fan speeds, dim the light, switch between Summer/Winter mode, invite users, create groups and much more. Refer to app instructions for more details. If necessary, you can reconnect the device according to the above steps.

**NOTE:** Maximum of 1 fan can operate on a circuit through the remote control.

### Basic product parameters:

|                 |          |               |                       |
|-----------------|----------|---------------|-----------------------|
| Model           | CES523FL | Voltage       | 120V                  |
| Fan Blade Span  | 52"      | Rated Wattage | 70W(Fan 30W Lamp 40W) |
| Gross weight    | 20.1lbs. | Rpm           | 50-220rpm             |
| Maximum Airflow | 6500CFM  | Maximum Noise | 60dB(A)               |

|                 |          |               |                       |
|-----------------|----------|---------------|-----------------------|
| Model           | CES563FL | Voltage       | 120V                  |
| Fan Blade Span  | 56"      | Rated Wattage | 70W(Fan 30W Lamp 40W) |
| Gross weight    | 20.3lbs. | Rpm           | 50-205rpm             |
| Maximum Airflow | 6900CFM  | Maximum Noise | 58dB(A)               |

|                 |          |               |                       |
|-----------------|----------|---------------|-----------------------|
| Model           | CES603FL | Voltage       | 120V                  |
| Fan Blade Span  | 60"      | Rated Wattage | 70W(Fan 30W Lamp 40W) |
| Gross weight    | 20.5lbs. | Rpm           | 50-190rpm             |
| Maximum Airflow | 7200CFM  | Maximum Noise | 56dB(A)               |

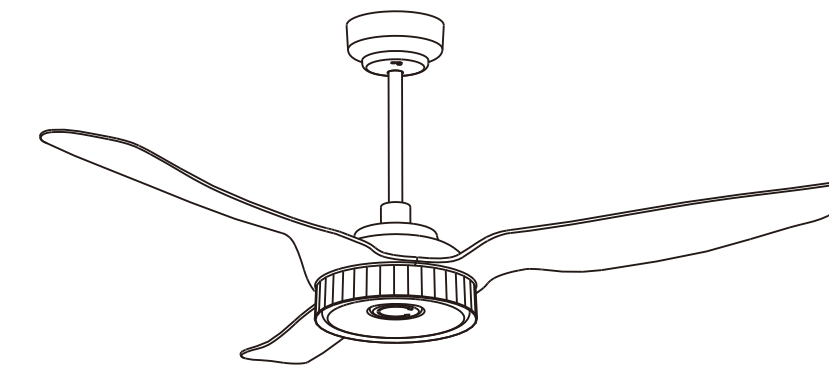
### Troubleshooting:

Your fan may occasionally jerk forward and backward upon start up. This is normal and does not affect fan operation.

Try these troubleshooting steps before contacting Customer Service.

| Issue                                                                                                                                                                                          | Solution                                                                                                                                                                                                                                                                                                                                                                                                                                                                                                                                                                                                                                                                                                                                                                                                                                                                                                                                                                                                                                                                                                                                                                                               |
|------------------------------------------------------------------------------------------------------------------------------------------------------------------------------------------------|--------------------------------------------------------------------------------------------------------------------------------------------------------------------------------------------------------------------------------------------------------------------------------------------------------------------------------------------------------------------------------------------------------------------------------------------------------------------------------------------------------------------------------------------------------------------------------------------------------------------------------------------------------------------------------------------------------------------------------------------------------------------------------------------------------------------------------------------------------------------------------------------------------------------------------------------------------------------------------------------------------------------------------------------------------------------------------------------------------------------------------------------------------------------------------------------------------|
| <b>The fan will not start.</b>                                                                                                                                                                 | <ol style="list-style-type: none"> <li>1. Make sure the fan is receiving power.</li> <li>2. Check your circuit breaker or fuse panel and wall switch for functionality.</li> <li>3. Make sure the fan is properly wired and grounded. Check all connections for any damaged, broken, or frayed wires.</li> <li>4. Make sure the plastic film in the remote's battery tray has been removed.</li> <li>5. Remote control must be paired within 10mins of connecting ceiling fan to power source.</li> <li>6. Check to make sure remote control is correctly paired.</li> <li>7. Any wires connecting ceiling fan to power source must be in ON position.</li> <li>8. Try to search the WIFI signal on your phone settings and connect with the app, check to see if the app is able to find the fan.</li> <li>9. If you have paired the remote or the app and the fan still does not start, then try to reset the fan: To reset the fan, press the pairing button  on the remote for 5 seconds until "beep" is heard to reset, and cut the power for 10 minutes, then turn the power on and pair the remote with the fan again within 5 seconds. Also try to pair the app again to reconnect.</li> </ol> |
| <b>The fan wobbles</b>                                                                                                                                                                         | <ol style="list-style-type: none"> <li>1. Remove the airfoils and make sure the colored dot sticker on each airfoil matches the corresponding sticker on the motor hub. If the stickers do not match, move the airfoils to the matching attachment points.</li> <li>2. Check the downrod and pivot ball hanging on the bracket if it is seated correctly and in the retention slot.</li> <li>3. Check all mounting points and bracket to see if there are any screws loose.</li> <li>4. The ceiling beam must meet the tensile test strength of 30KG for installation.</li> <li>5. Make sure the airfoils or brackets have not been bent or deformed.</li> <li>6. Some fan models will come with an airfoil balancing kit for minor adjustments if needed.</li> </ol>                                                                                                                                                                                                                                                                                                                                                                                                                                  |
| <b>LED OFF</b>                                                                                                                                                                                 | <ol style="list-style-type: none"> <li>1. Make sure LED wire connect with controller.</li> <li>2. Make sure the whole machine is energized.</li> <li>3. Make sure the remote control code is matched.</li> </ol>                                                                                                                                                                                                                                                                                                                                                                                                                                                                                                                                                                                                                                                                                                                                                                                                                                                                                                                                                                                       |
| <b>The fan is noisy during operation</b>                                                                                                                                                       | <p>Bring the fan to a complete stop.</p> <ol style="list-style-type: none"> <li>1. Gently turn the airfoils by hand, making sure there are no fan parts rubbing on the motor hub when the fan rotates.</li> <li>2. Check all mounting and fan hardware. If loose, tighten.</li> <li>3. Gently wipe down and clean fan to ensure there is no debris or buildup in the fan.</li> </ol>                                                                                                                                                                                                                                                                                                                                                                                                                                                                                                                                                                                                                                                                                                                                                                                                                   |
| <b>Unable to pair remote and app</b>                                                                                                                                                           | <ol style="list-style-type: none"> <li>1. Check if the wires are connected in the right position or not.</li> <li>2. Check the batteries on the remote.</li> <li>3. Disconnect the power for 10 minutes, then reconnect the power and pair the remote with the fan again within 5 seconds. Also try to pair the app again to reconnect.</li> <li>4. The WIFI must be 2.4Ghz, incompatible with 5Ghz WIFI.</li> </ol>                                                                                                                                                                                                                                                                                                                                                                                                                                                                                                                                                                                                                                                                                                                                                                                   |
| <b>Try these troubleshooting steps before contacting Customer Service. For additional operation, maintenance, and troubleshooting information, please contact our service center directly.</b> |                                                                                                                                                                                                                                                                                                                                                                                                                                                                                                                                                                                                                                                                                                                                                                                                                                                                                                                                                                                                                                                                                                                                                                                                        |

© Carro USA Inc.  
1431 S. Baker Ave. Ontario CA 91761  
Tel.: 909 503 9060 or 626 698 4315  
cs@carrohome.com  
www.carrohome.com



ITEM: CES523FL/CES563FL / CES603FL

Technical Parameter: AC 120V 60HZ

SMART CEILING FAN INSTALLATION GUIDE

Please read and save the instructions carefully before using this product