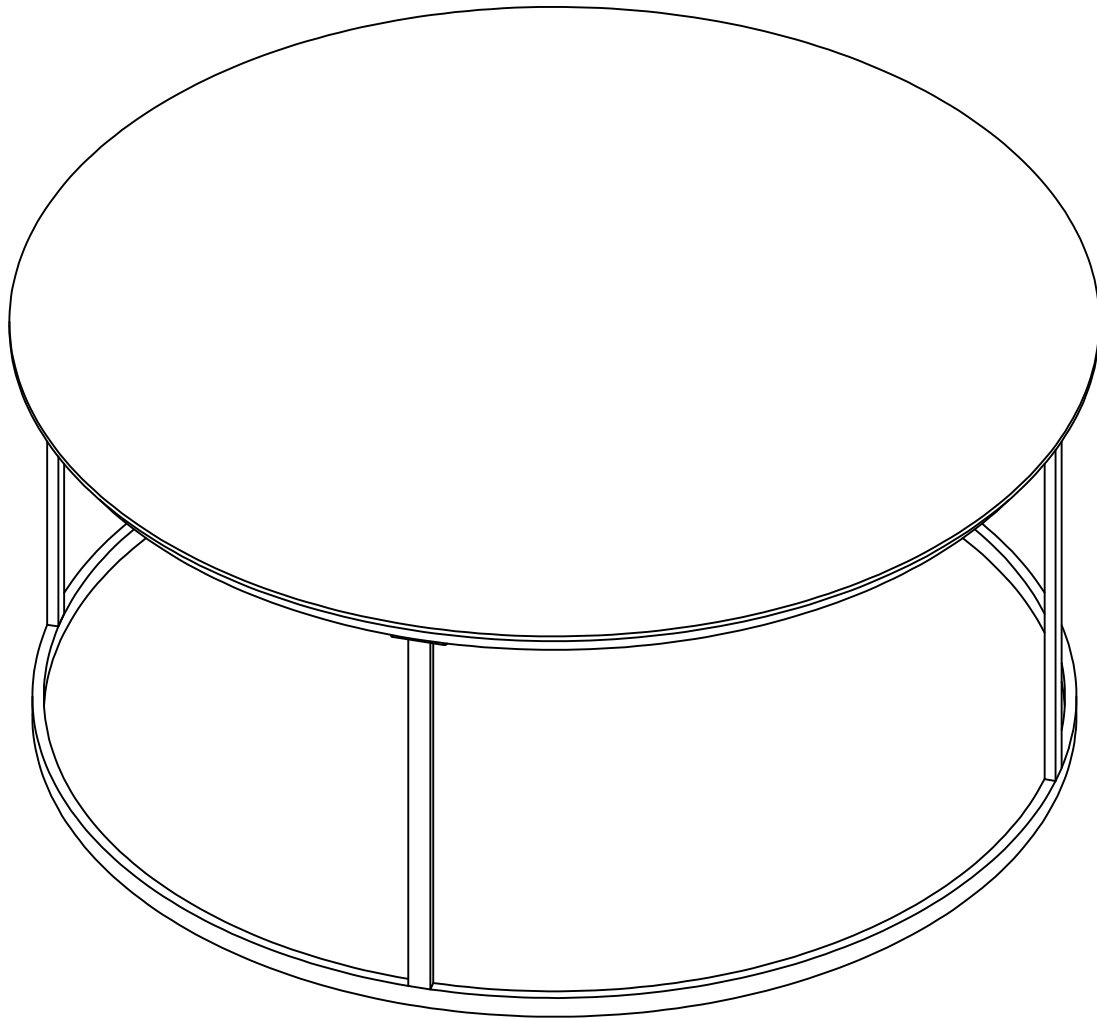




ROBERTSON ROUND COFFEE TABLE
ASSEMBLY INSTRUCTIONS
18107





PLEASE READ ME FIRST



- Have questions about assembling your item?



- Item or parts damaged?



- Missing a part?



- We're here to help!



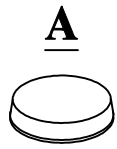
(847)949-6300 (M-F, 9am-5pm CST)



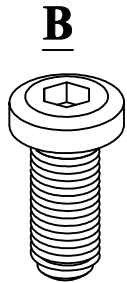
www.burnhamhomedesign.com



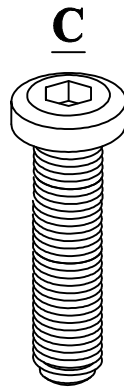
customerservice@burnhamhomedesign.com



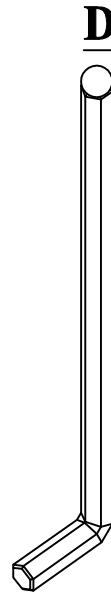
4 PCS



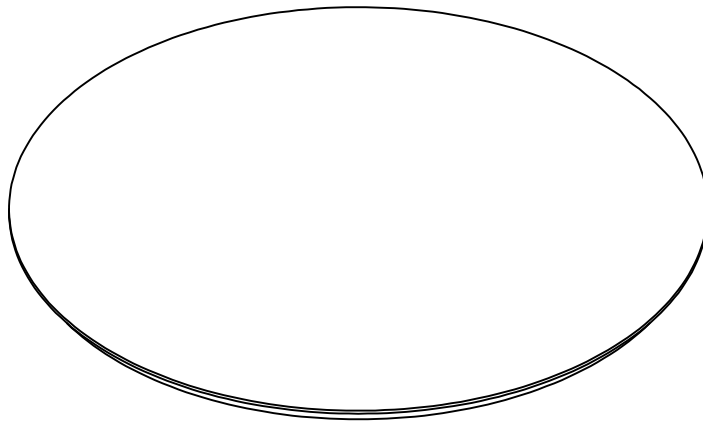
M6*16
8 PCS



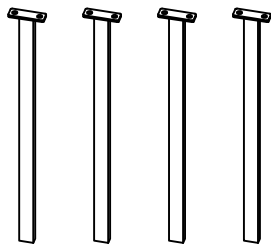
M6*35
4 PCS



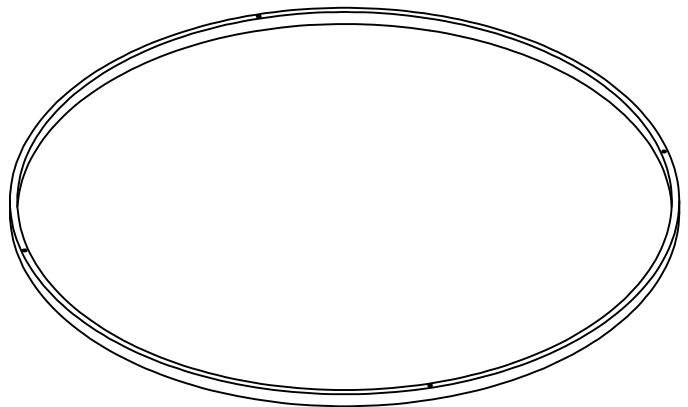
1 PC



1

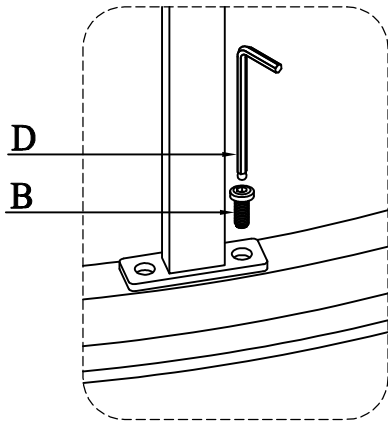
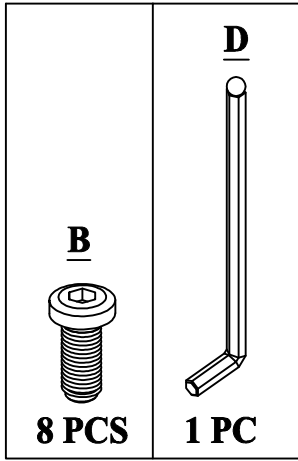


2

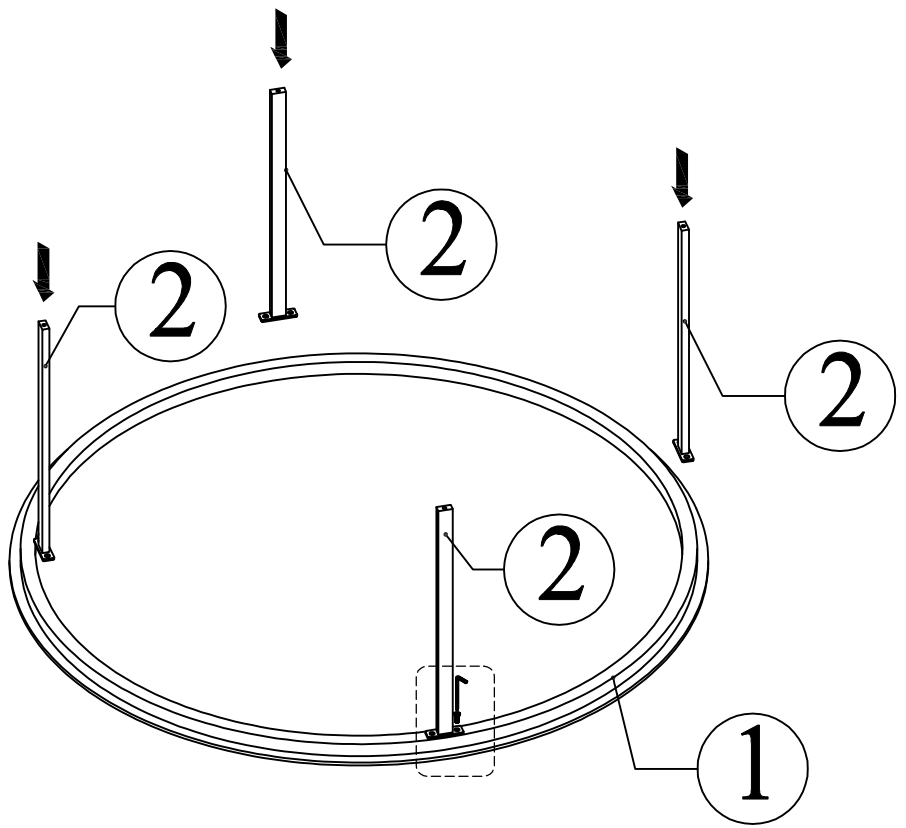


3

01

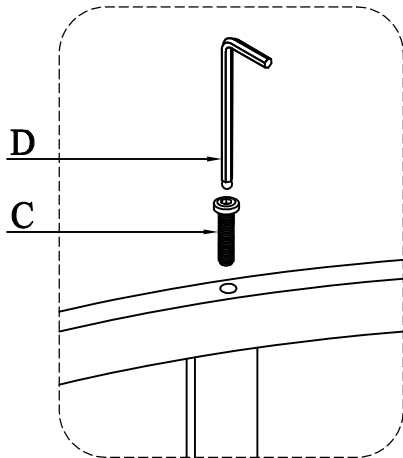
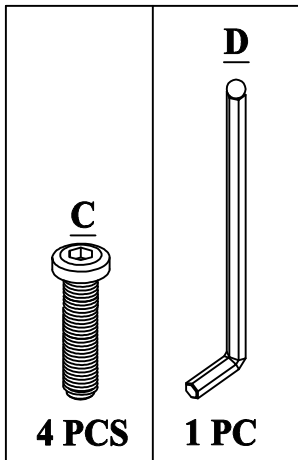


8X

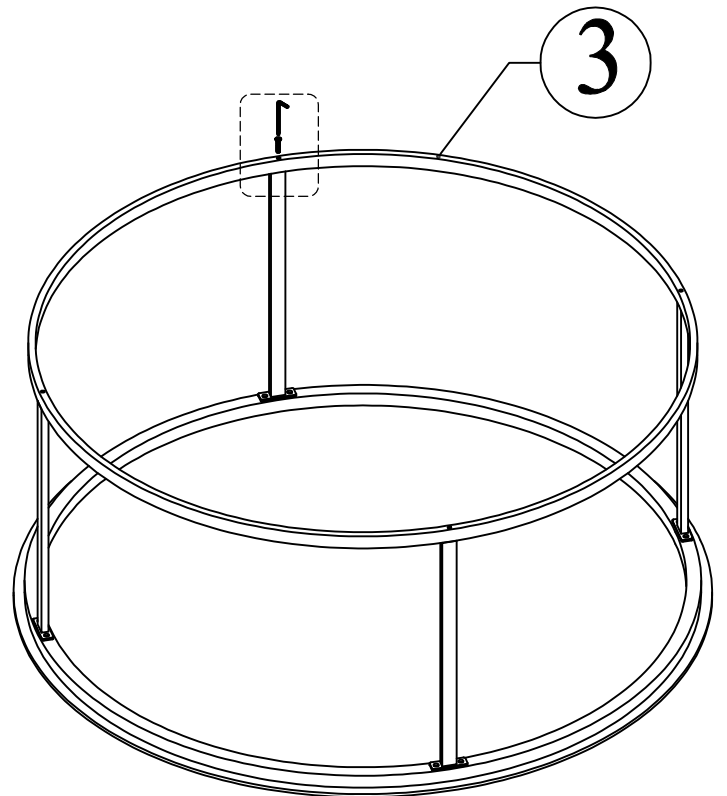


TIGHTEN BOLT COMPLETELY.

02

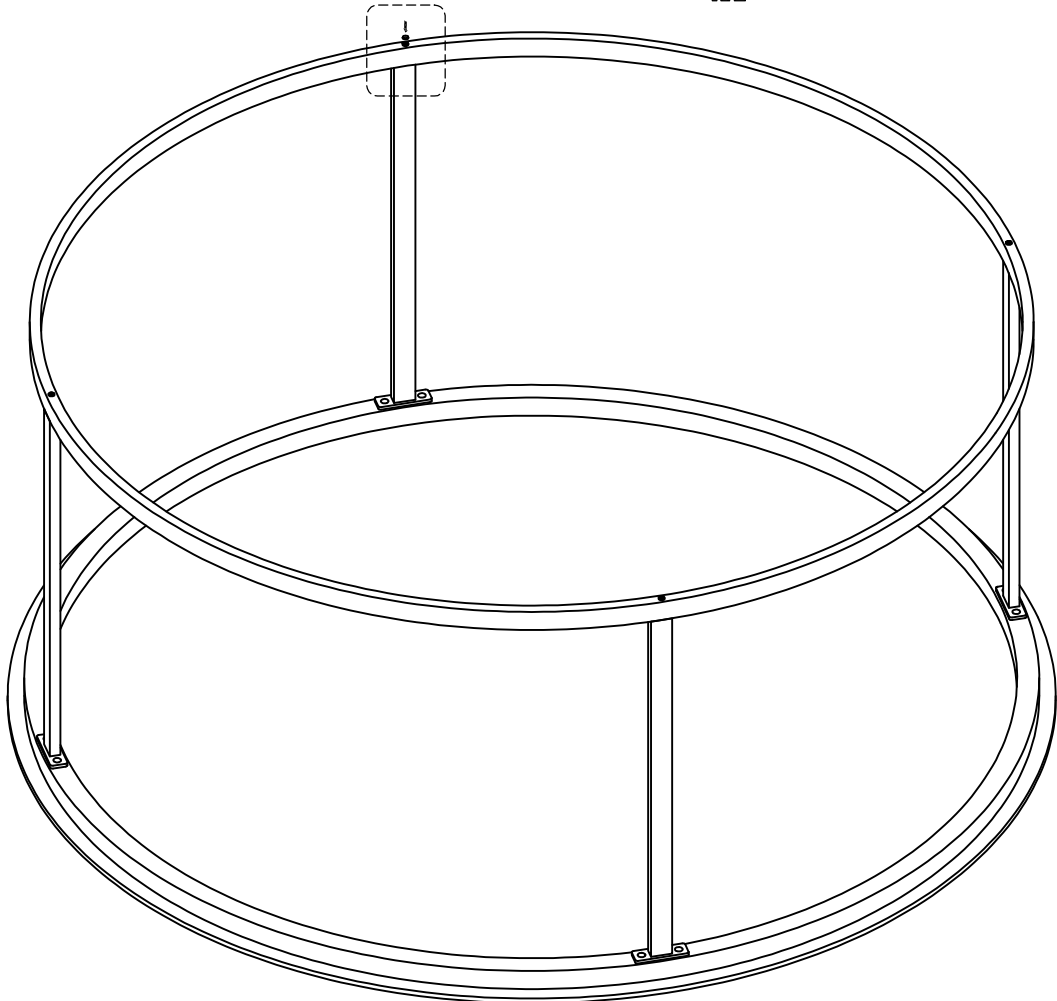
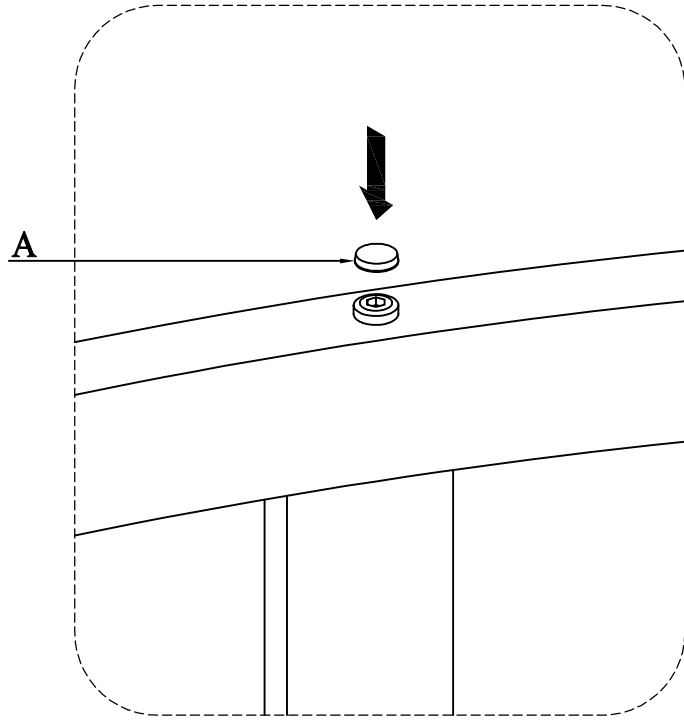
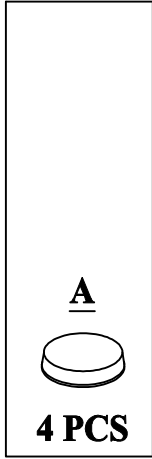


4X

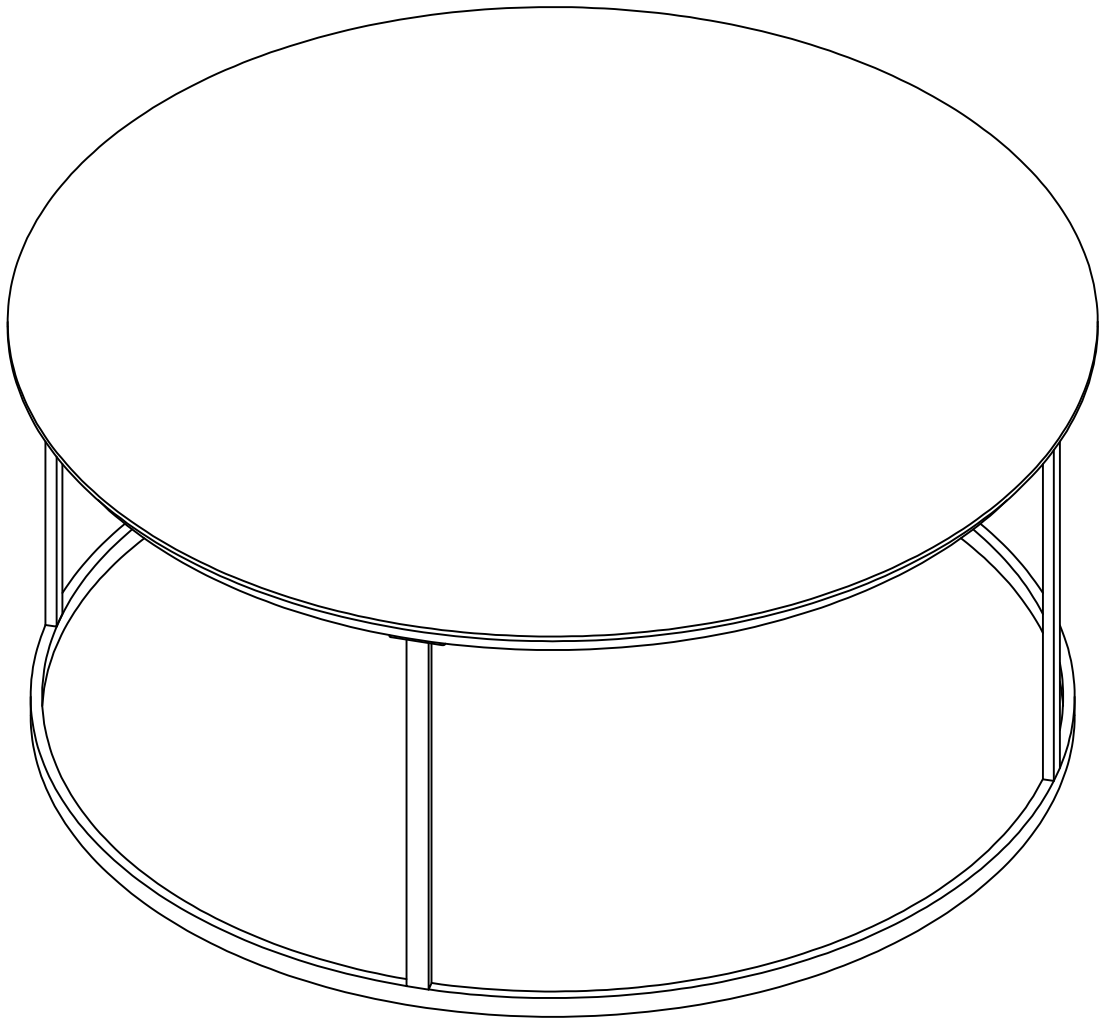


TIGHTEN BOLT COMPLETELY.

03



TIGHTEN BOLT COMPLETELY.



**BE SURE TO CHECK ALL BOLTS ARE SECURELY
TIGHTENED PRIOR USING THIS TABLE**