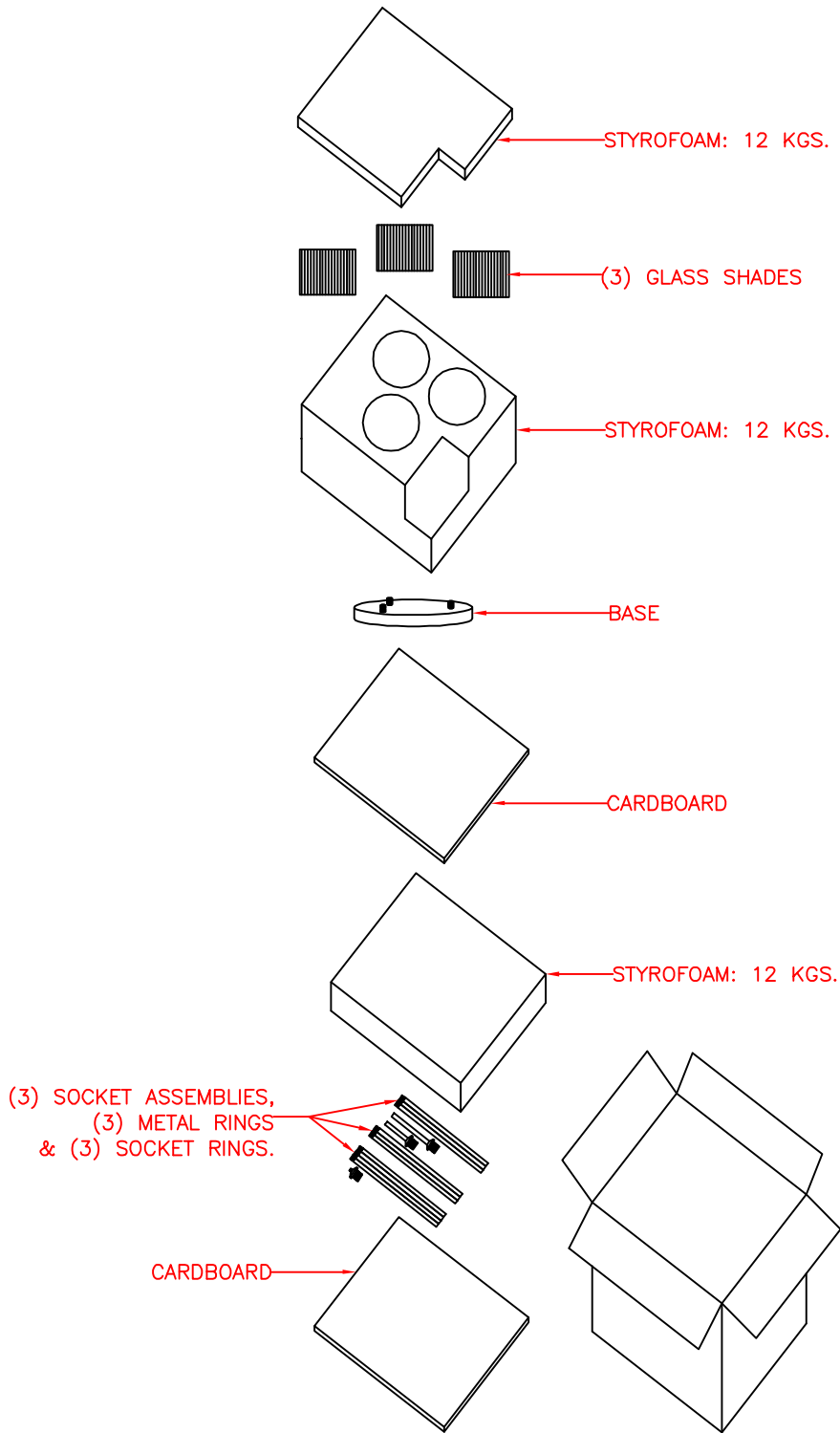


MODEL: 21377

PACKING DIAGRAM



ASSEMBLY INSTRUCTIONS

READ AND SAVE THESE INSTRUCTIONS

READ INSTRUCTIONS ALL THE WAY THROUGH PRIOR TO ASSEMBLY. THIS LAMP SHOULD TAKE APPROXIMATELY 20 MINUTES TO ASSEMBLE.

MAKE SURE ALL PARTS ARE FIRMLY TIGHTENED.

UNPACK THE LAMP

YOU SHOULD HAVE RECEIVED THE FOLLOWING PARTS IN THE PACKAGE: (3) SOCKET RINGS, (3) SPACERS, (3) GLASS SHADES, POLE-B WITH SOCKET, POLE-C WITH SOCKET, SOCKET ASSEMBLY, (10) POLES AND BASE. TO PROTECT THE FINISH, PLACE ALL PARTS ON A SOFT SURFACE.

ASSEMBLE THE LAMP

1. CAREFULLY ORGANIZE AND PLACE ALL PARTS ON A SMOOTH, FLAT SURFACE. LINE UP ALL OF THE PARTS ACCORDING TO THE ASSEMBLY DIAGRAM.

2. PASS CORD FROM SOCKET ASSEMBLY THROUGH POLE-A AND (3) POLE-D AS SHOWN.

3. JOIN THE (3) POLE-D TOGETHER.

4. CONNECT MALE CONNECTOR WITH FEMALE CONNECTOR.

5. SCREW POLE-D TO TOP OF BASE.

6. SCREW POLE-A TO BOTTOM OF SOCKET ASSEMBLY.

7. TUCK THE EXCESS POWER CORD AND INSERT THE EXCESS POWER CORD INTO THE HOLES IN POLE-A AND POLE-D. (SEE THE DIAGRAM ON LEFT)

8. SCREW POLE-A WITH SOCKET ASSEMBLY TO TOP OF THE POLE-D.

9. REPEAT STEPS 2 TO 8 FOR REMAINING POLES SETS.

10. REMOVE THE SOCKET RINGS AND SPACERS FROM SOCKETS BY UNSCREWING THE SOCKET RINGS.

11. PLACE A GLASS SHADE OVER EACH SOCKET, THEN SECURE WITH A SPACER AND A SOCKET RING.

12. PRIOR TO INSTALLING THE BULB, PLEASE INSPECT SOCKET FOR SILICA PACKET. IF PACKET IS PRESENT, REMOVE AND THROW AWAY. DO NOT EXPOSE TO CHILDREN AND PETS.

13. INSTALL A 100 WATT MAXIMUM MEDIUM BASE TYPE "A" BULB (NOT INCLUDED) INTO EACH SOCKET.

14. PLUG POWER CORD INTO AN OUTLET AND TURN ON AT SWITCH.

BULB REPLACEMENT

1. BEFORE REPLACING THE BULB, BE SURE THAT THE SHADE AND BULB ARE COOL AND LAMP IS UNPLUGGED.

2. UNSCREW EXISTING BULB FROM SOCKET AND REPLACE WITH A NEW BULB. PLUG POWER SUPPLY CORD BACK INTO OUTLET.

TROUBLE SHOOTING

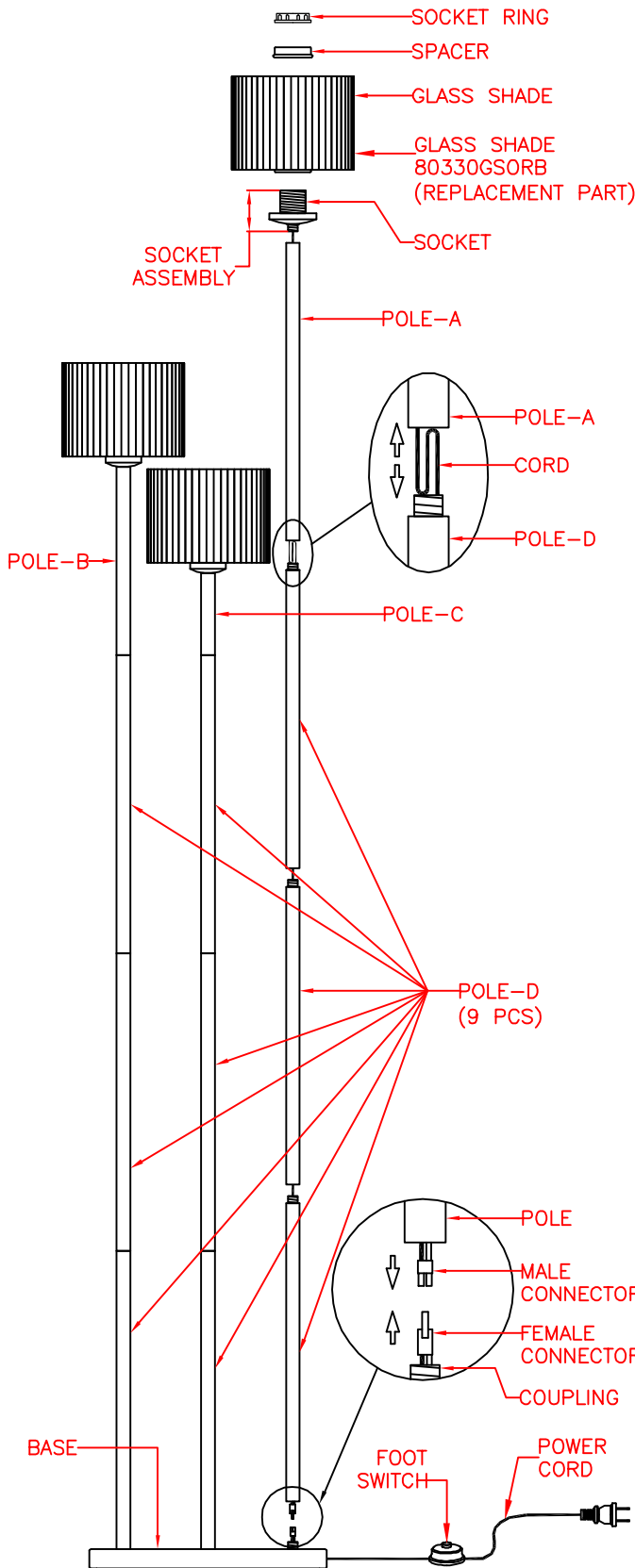
1. IF YOUR LAMP DOES NOT LIGHT, CHECK PLUG AT THE OUTLET. MAKE SURE THE PLUG IS FULLY AND PROPERLY INSERTED INTO THE POWER OUTLET.

2. IF LAMP STILL DOES NOT LIGHT, UNPLUG FROM OUTLET. CHECK THE BULB FOR A BROKEN FILAMENT. REPLACE BULB IF NECESSARY, PLUG IN LAMP AND TURN IT ON.

3. IF THE LAMP STILL DOES NOT LIGHT, PLEASE CONTACT YOUR DISTRIBUTOR OR PLACE OF PURCHASE.

IMPORTANT SAFETY INSTRUCTIONS

THIS PORTABLE LAMP HAS A POLARIZED PLUG (ONE BLADE IS WIDER THAN THE OTHER) AS A FEATURE TO REDUCE THE RISK OF ELECTRIC SHOCK. THIS PLUG WILL FIT IN A POLARIZED OUTLET ONLY ONE WAY. IF THE PLUG DOES NOT FIT FULLY IN THE OUTLET, REVERSE THE PLUG. IF IT STILL DOES NOT FIT, CONTACT A QUALIFIED ELECTRICIAN. NEVER USE WITH AN EXTENSION CORD UNLESS PLUG CAN BE FULLY INSERTED. DO NOT ALTER THE PLUG.



AVAILABLE PART IS:
80330GSORB (GLASS SHADE)

