



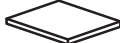





Assembly Instruction

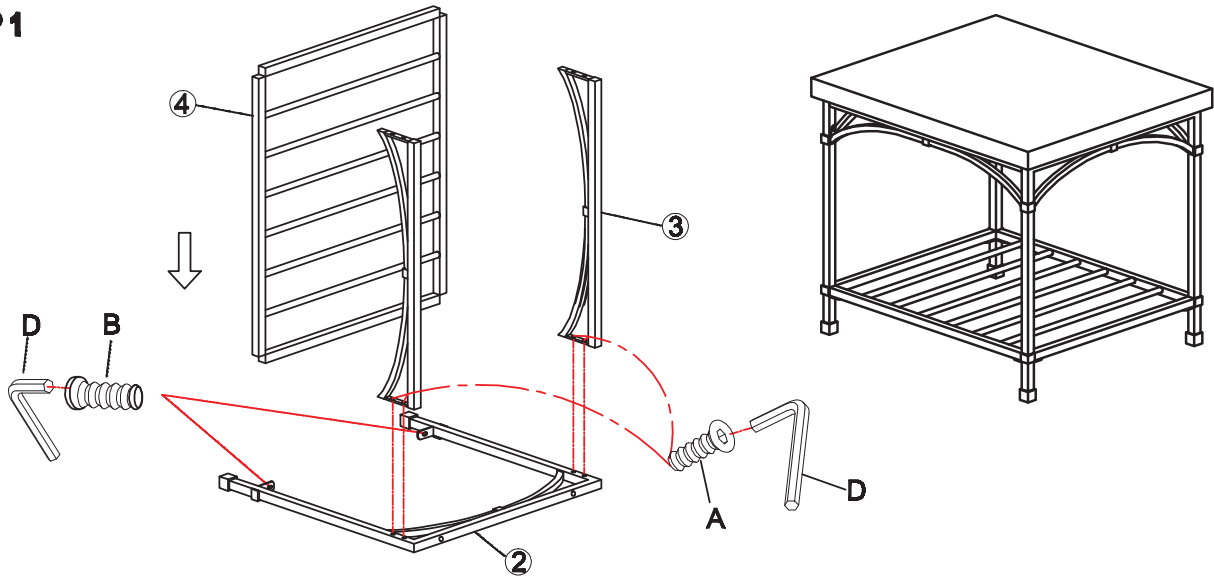
202-OT1020 END TABLE

Thank you for purchasing this quality product. Be sure to check all packing material carefully for small parts which may come loose inside the carton during shipment. Identify and count all parts and compare with the parts list below:

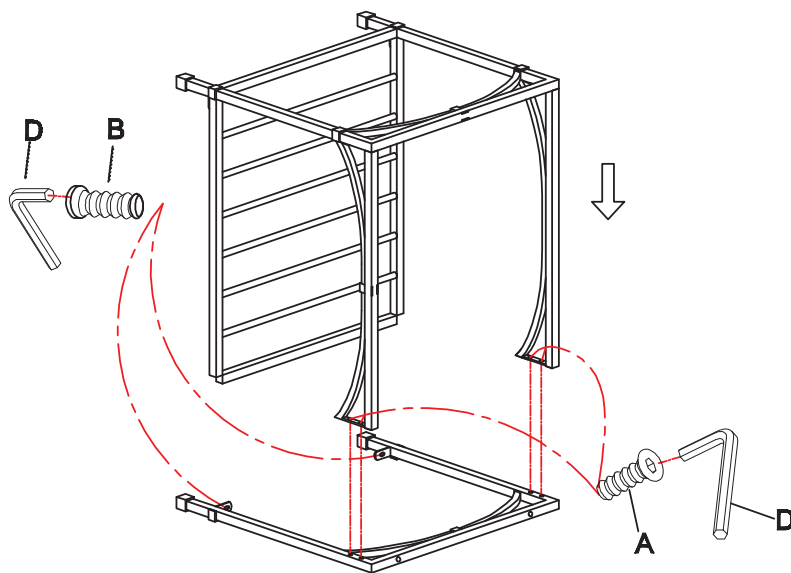
No	Hardware List			Qty
A		Flat Head Bolt	Ø1/4**1/2"	8 pcs
B		Pan Head Bolt	Ø1/4**1/2"	4 pcs
C		Pan Head Bolt	Ø1/4**1-1/4"	4 pcs
D		Allen wrench	4mm	1 pc

No	Parts List		Qty
①		Top	1 pc
②		Front / Back frame	2 pcs
③		Apron	2 pcs
④		Bottom frame	1 pc

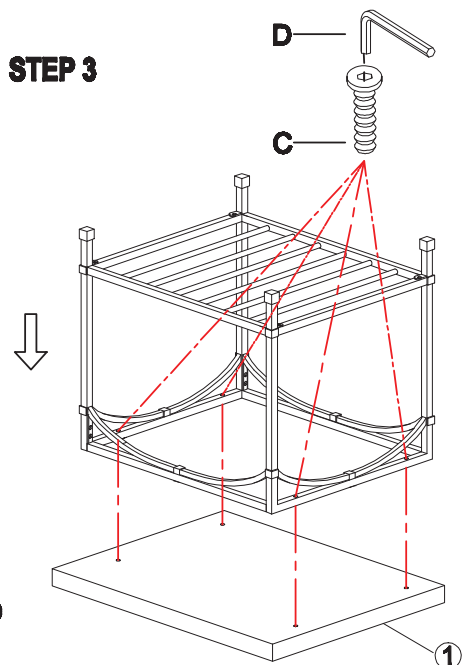
STEP 1



STEP 2



STEP 3



Cleaning Instructions: Clean the goods surface with furniture polish and a soft cloth.

MADE IN CHINA