

2023 Spa & Bathroom Collection



Teak & Specialties
arbteak.com

Product

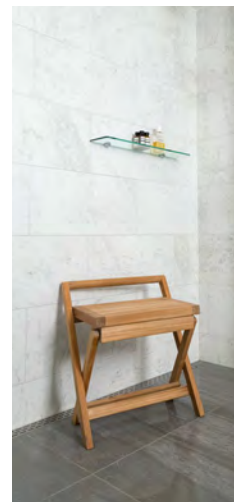
Collection 2023

FEATURED COLLECTIONS

- 08 Coach Shower Benches
- 10 Coach Corner Shower Benches
- 11 Fiji Shower Benches
- 15 Fiji Corner Shower Benches
- 16 Coach & Fiji Footrests
- 17 Fiji Shower Shelves
- 18 Hawaii Bench Table
- 20 Hot Tub Steps
- 22 Elite Shower Benches
- 24 Curved Shower Benches
- 26 Accessories Bath, Shower, & Spa
- 28 Coach Kitchen Sink Caddies
- 29 Accessories Hooks & Shelves
- 30 Folding Shower Benches
- 31 Accessories
- 32 Accessories Towel Ladders
- 33 Accessories Shelves
- 35 Shower & Bath Mats
- 37 Custom Orders
- 38 Care Instructions
- 39 Teak University
- 40 Schematic References



10



30



11



18



32



20



35

TO ORDER

Email:
orders@arbteak.com
Phone:
1.855.772.8325

Canada Warehouse:
8114 Trans-Canada Hwy,
Saint-Laurent, QC H4S 1M5

U.S. Warehouse:
Moosers, NY



About A·R·B Teak

A·R·B Teak is the leader in the teak shower bench industry. For nearly two decades, A·R·B Teak has developed unique, high quality teak bathroom and spa products for homes and businesses throughout the western hemisphere. In addition to custom creations, A·R·B Teak is renowned for our Spa Teak line of bath and spa products for residential, commercial and industrial projects.

We pride ourselves on being an environmentally conscious company: our products are made of teak wood harvested from carefully managed Perum Perhutani plantations in Indonesia.

Every single A·R·B Teak shower bench, mat and accessory is made from 100% natural, ecologically harvested, grade A Indonesian teak wood that has never, ever been oiled.

That's because we believe every single client deserves to discover and experience the true quality that only 100% natural grade A teak possesses.





Benefits of Teak Wood:

Why You Should Have Teak at Your Home

Teak wood is the gold standard for bath and outdoor furniture. From its many uses to its luxurious looks, teak wood is unmatched in quality and appearance. At the same time, it offers a variety of benefits to those who choose it for their bath and outdoor furniture needs.



✓ **DURABILITY.** Teak is one of the most durable wood species available for commercial use. It is exceptionally strong and can last for generations in a wide variety of climates, thanks to teak wood's high-density rubber content, which leaves it impervious to rain, weather, and pests. It's virtually immune to rot, does not warp or crack even if exposed to extreme temperatures, humidity, and weather conditions—and it gets better with age!

✓ **LOW MAINTENANCE.** Teak requires little maintenance, making it ideal for busy homes with busy schedules. Unlike other woods, teak requires no sealant or staining; instead, it will develop a beautiful golden hue by just being exposed to sunlight over time. The only maintenance required is occasional cleaning with soap and water or a mild detergent mixed with water. Please do not use harsh chemicals or abrasives to clean the teak, as they can damage its finish. Low maintenance means less time spent caring for your furniture and more time relaxing in the comfort of your own bath/spa or backyard!



✓ **SELF-REGULATING PRINCIPLE.** As an all-natural product made from trees grown in tropical climates, teak will self-regulate its pH levels, meaning that it will not require any special treatment to maintain its natural beauty. When exposed to water, teak naturally releases oils that make it more resistant to moisture damage while also preventing mold growth in humid conditions. Teak is also naturally self-regulating in temperature. It won't get too hot in the sun or too cold in the shade—so it will always feel comfortable no matter where you place it.

✓ **SUSTAINABILITY AND LIFESPAN:** Teak is also known for being one of the most sustainable woods available today. ARB uses only legal wood sanctioned by the Indonesian Government and harvested at Perum Perhutani plantations to manufacture its products. In these plantations, teak trees are grown specifically for furniture fabrication, following strict forest development plans and reforestation programs without harming other plant life. Perum Perhutani plantation policies ensure that there will be plenty of teak trees available in the future so that we can enjoy this beautiful material for decades to come!



ARB uses only the finest teak wood for its bath/spa and patio furniture with unyielding environmental conscience and ethics. Your body will appreciate the comfort and quality of our products keeping you warm during a relaxing bath and shower or cool and fresh while enjoying the outdoors.

You'll love ARB Teak products' earthy tones and the luxurious look and feel they give to in your bath/spa and outdoor spaces!



Teak wood is available in 3 different quality grades, A, B, and C. This is important to know as the grade of the teak wood plays a key role in the performance and durability of the furniture is made into.

At first glance, you might think all teak looks the same. But remember, looks can be deceiving!

Let's look at what makes the grades different from one another. But first, a quick lesson on trees.

HOW TREES GROW AND WHY IT'S IMPORTANT TO YOU

1. Trees grow out from their center. This makes the heartwood (center of the tree) the oldest, the strongest and the most oil rich part of the tree.
2. The outer layers are greenwood (or sapwood). Sapwood is the part of the tree that transports water from the roots to the leaves, making it the wettest part. It is not old enough to have developed any natural oil.

Why does this matter? Because wet wood warps and contains none of the natural properties to protect itself from mold, mildew or insects. So just how can you tell this wood apart?

NATURAL GRADE A TEAK IS ...

- Heirloom quality. It does not rot and lasts for generations.
- Maintenance free. Wash periodically with mild soap, water, and bristle brush to remove soap and product residues. That's it!
- Mold and bacteria resistant, contributing to health in the bathroom.
- Naturally anti-slip, which helps increase shower safety.
- Teak timber is at the top of the scale when it comes to highest natural durability.

Grades of Teak

GRADE A ★★★★★

Hewn from the heartwood of a fully mature teak tree (40+ years old), grade A teak is of the highest possible quality. It's antibacterial and virtually immune to rotting.

- From 40+ year old trees
- Beautiful golden hue
- Antibacterial and anti-fungal
- Maximum oil content
- Will never rot

GRADE B ★★★☆☆

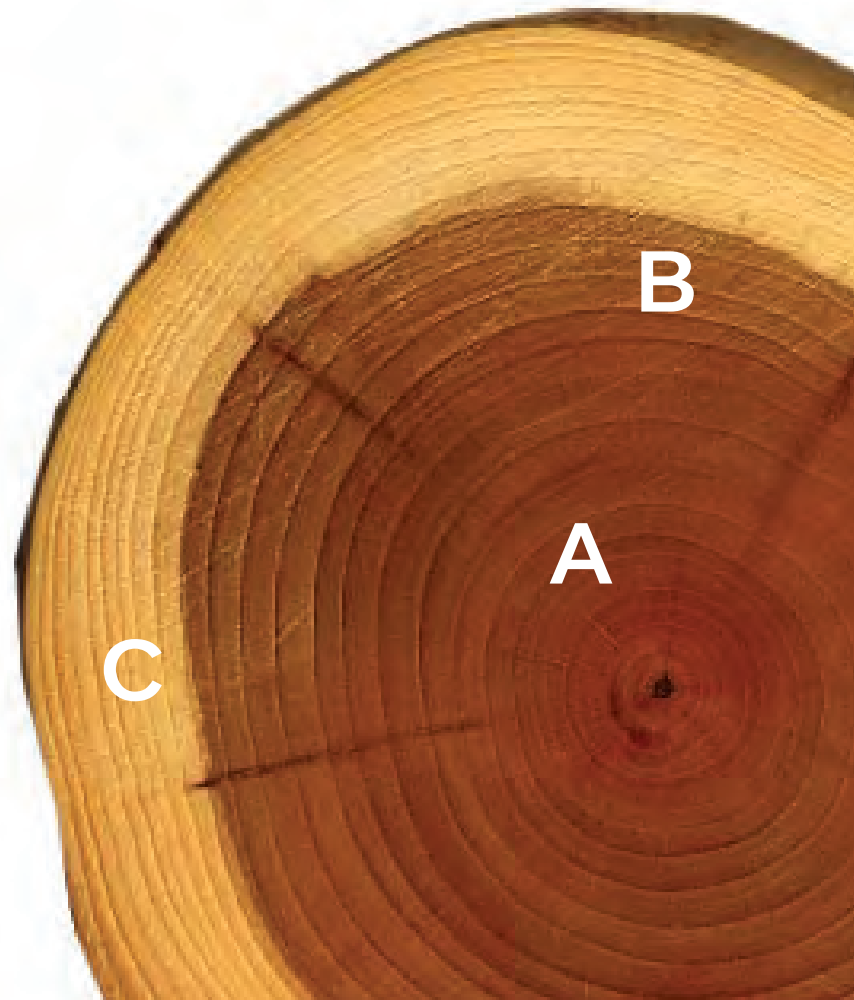
Between the heartwood and the sapwood lies grade B teak. Grade B teak is of lesser quality than grade A teak and contains considerably less oil, meaning it will require constant protective treatment.

- Near sapwood
- Visible knots
- May have grey and black veins

GRADE C ★☆☆☆☆

Grade C teak comes from the outer rings of the tree, which were still alive when the tree was felled. It has none of the characteristics of its grade A counterpart. It will eventually warp and break.

- Knots and discolouration
- White-coloured wood
- Imperfections which can be temporarily hidden with stains and other finishing products



ARB World-Class Quality



100% NATURAL GRADE A

- World-class quality.
- All of our products are made with the best teak.
- Free of chemicals.



WILL NOT SPLINTER

- Smooth texture.
- Ideal for homes with children or pets.
- Easy to clean - just gently wipe with warm soapy water and a soft bristle brush.



MORTISE & TENON JOINT

- The strongest woodworking joint.
- Attractive, simple, and reliable.



HAND SANDED FINISH

- Outstanding finish achieved by expert artisans



Indoor/Outdoor



100%
NATURAL
TEAK



Stackable



Folding



No assembly
required



Eco-responsible



Assembly
required



Do not
apply oil



STAINLESS
SCREWS

Coach Shower Benches

Naturally resistant to moisture, grade A teak shower benches are perfect for your bathroom or spa area. Don't settle for less! (See page 6 for a teak tutorial).

Complement your bathroom decor with a beautiful Coach shower bench or corner shower bench (see page 10) that will last a lifetime!



100% NATURAL
GRADE A



MORTISE &
TENON JOINT



WILL NOT
SPLINTER



HAND SANDED
FINISH

Bold lines, classic style
Wide teak wood slabs.
Shelf for product storage.
Maximize space.
No visible screws.
Sturdy.

Coach shower bench
16" (40 cm)



15 3/4" L x 12 1/2" D x 17 3/4" H
40 cm L x 30.5 cm D x 45 cm H

SKU: BEN519

Coach shower bench
16" (40 cm) with removable shelf



15 3/4" L x 12 1/2" D x 17 3/4" H
40 cm L x 30.5 cm D x 45 cm H

SKU: BEN537



No assembly
required



Eco-responsible



Do not
apply oil



100%
NATURAL
TEAK

Coach shower bench 24" (60 cm)



23 1/2" L x 12 1/2" D x 17 3/4" H
60 cm L x 32 cm D x 45 cm H

SKU: BEN517

Coach shower bench
24" (60 cm) with removable shelf



23 1/2" L x 12 1/2" D x 17 3/4" H
60 cm L x 32 cm D x 45 cm H

SKU: BEN516

Coach shower bench
30" (75 cm)



29 1/2" L x 12 1/4" D x 17 3/4" H
75 cm L x 32 cm D x 45 cm H

SKU: BEN564

Coach Shower Benches

Coach shower bench 36" (90 cm)



35 1/2" L x 12 1/4" I x 17 3/4" H
90 cm L x 31 cm I x 45 cm H

SKU: BEN534

Coach shower bench 36" (90 cm)
with removable shelf



35 1/2" L x 12 1/4" I x 17 3/4" H
90 cm L x 31 cm I x 45 cm H

SKU: BEN536

Coach shower bench 47" (120 cm)



47" L x 12 1/4" I x 17 3/4" H
120 cm L x 31 cm I x 45 cm H

SKU: BEN518

Coach shower bench 47" (120 cm)
with removable shelf



47" L x 12 1/4" I x 17 3/4" H
120 cm L x 31 cm I x 45 cm H

SKU: BEN545

Coach shower bench 59" (150 cm)



59" L x 12 1/4" I x 17 1/2" H
150 cm L x 31 cm I x 45 cm H

SKU: BEN521 - without Shelf
SKU: BEN567 - with Shelf

Coach shower bench 71" (180 cm)



71" L x 12 1/4" I x 17 3/4" H
180 cm L x 31 cm I x 45 cm H

SKU: BEN520

Coach Corner Shower Benches



100% NATURAL
GRADE A



MORTISE &
TENON JOINT



WILL NOT
SPLINTER



HAND SANDED
FINISH

Wide slabs.
Perfect corner fit.
Maximize space.
No visible screws.
Sturdy.



No assembly
required

Coach corner shower bench 31" (80 cm)

31 1/2" L x 12 1/4" I x 17 3/4" H
80 cm L x 31 cm I x 45 cm H

SKU: BEN514



Coach corner footrest
BEN544 - See page 16



Fiji Shower Benches



100% NATURAL
GRADE A



MORTISE &
TENON JOINT



WILL NOT
SPLINTER



HAND SANDED
FINISH

Thin slabs.
Perfect corner fit.
Maximize space.
Shelf for product
storage.
No visible screws.
Sturdy.



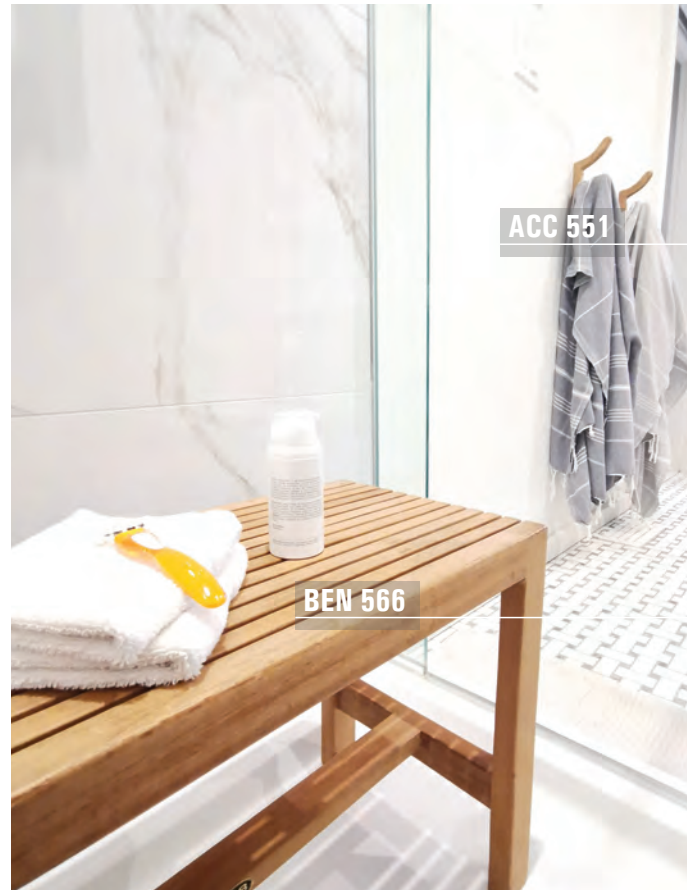
No assembly
required

Fiji shower bench 18" (45 cm)



17 ¾" L x 12 ¼" D x 18" H
45 cm L x 31 cm D x 45 cm H

SKU: BEN531



Fiji shower bench 24" (60 cm)



23 ½" L x 12 ¼" D x 17 ¾" H
60 cm L x 31 cm D x 45 cm H

SKU: BEN530



BEN 557

MAT 2518

ACC 551

BEN 566

Fiji shower bench
30" (75 cm)



29 1/2" L x 12 1/4" D x 17 3/4" H
75 cm L x 31 cm D x 45 cm H

SKU: BEN566

Fiji shower bench
36" (90 cm)



36" L x 12 1/4" D x 17 3/4" H
90 cm L x 31 cm D x 45 cm H

SKU: BEN563

Fiji Shower Benches

Fiji shower bench
12" (30 cm) with shelf

NEW



12" L x 12" D x 17 3/4" H
31 cm L x 31 cm D x 45 cm H

SKU: BEN601

Fiji shower bench
18" (45 cm) with shelf

NEW



17 3/4" L x 12" D x 17 3/4" H 45
cm L x 31 cm D x 45 cm H

SKU: BEN602

Fiji shower bench
24" (60 cm) with shelf

NEW



23 1/2" L x 12" D x 17 3/4" H 60
cm L x 31 cm D x 45 cm H

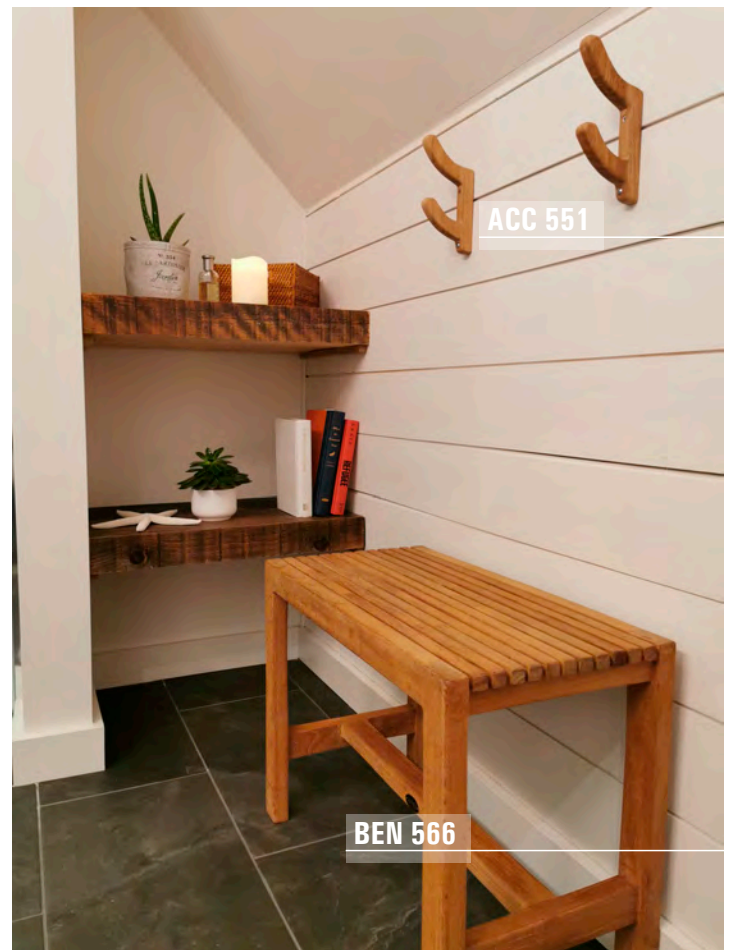
SKU: BEN603

Fiji square teak footstool
12" (30 cm)



12" L x 12" D x 17" H
31 cm L x 31 cm D x 45 cm H

SKU: BEN574



Fiji Shower Benches

Fiji shower bench
30" (75 cm) with shelf

NEW



29 1/2" L x 12" D x 17 3/4" H 75
cm L x 31 cm D x 45 cm H

SKU: BEN604

Fiji shower bench
36" (90 cm) with shelf

NEW



35 1/2" L x 12" D x 17 3/4" H 90
cm L x 31 cm D x 45 cm H

SKU: BEN605

Fiji shower bench
47" (120 cm)

NEW



47" L x 12" D x 17 3/4" H
120 cm L x 31 cm D x 45 cm H

SKU: BEN606

Fiji shower bench
47" (120 cm) with shelf

NEW



47" L x 12" D x 17 3/4" H
120 cm L x 31 cm D x 45 cm H

SKU: BEN607

Fiji Corner Shower Benches



100% NATURAL
GRADE A



MORTISE &
TENON JOINT

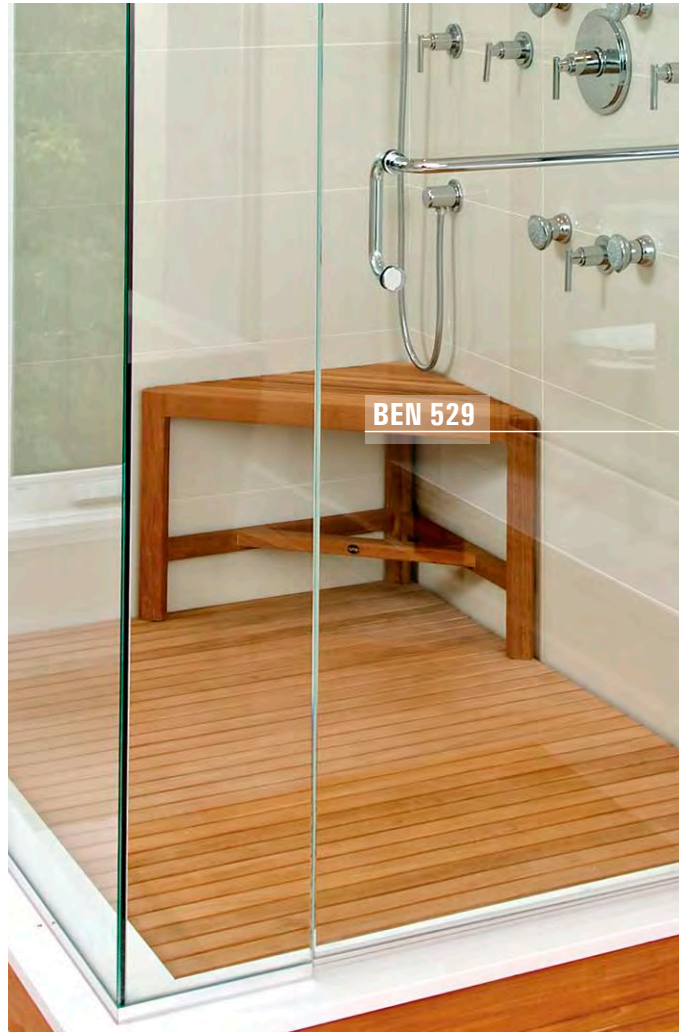
Thin slabs.
Perfect corner fit.
Maximize space.
Shelf for product storage
No visible screws.
Sturdy.



WILL NOT
SPLINTER



HAND SANDED
FINISH



Fiji corner shower bench
Front side 31" (80 cm)



31 1/2" L x 15 3/4" D x 17 3/4" H
80 cm L x 40 cm D x 45 cm H

SKU: BEN529

Fiji corner shower bench with shelf
Front side 31" (80 cm)



31 1/2" L x 15 3/4" D x 17 3/4" H
80 cm L x 40 cm D x 45 cm H

SKU: BEN558

Fiji corner footrest
BEN547 - See page 16
BEN557 - See page 16



Coach & Fiji Footrests

Stable and stylish, ARB Teak footrests fit neatly into your shower.

The models with shelves help you keep your bathroom products and accessories organized.



100% NATURAL GRADE A



MORTISE & TENON JOINT



WILL NOT SPLINTER



HAND SANDED FINISH





No assembly required



Eco-responsible



100% NATURAL TEAK



Do not apply oil

Coach corner footrest
Front side 15" (37 cm)



14 1/2" L x 8 1/2" I x 17 3/4" H
37 cm L x 22 cm I x 45 cm H

SKU: BEN544

Fiji corner footrest
Front side 15" (37 cm)



14 1/2" L x 7 1/2" D x 17 3/4" H
37 cm L x 19 cm D x 45 cm H

SKU: BEN547

Fiji corner footrest with shelf
Front side 15" (37 cm)



14 1/2" L x 7 1/2" D x 17 3/4" H
37 cm L x 19 cm D x 45 cm H

SKU: BEN557

Fiji Shower Shelves

Fiji corner shelf
3 tiers 36" (90 cm)



14 1/2" L x 7 3/4" D x 35 1/2" H
37 cm L x 20 cm D x 90 cm H

SKU: ACC585



100% NATURAL
GRADE A



MORTISE &
TENON JOINT



WILL NOT
SPLINTER



HAND SANDED
FINISH

Thin slabs.
Perfect corner fit.
Maximize space.
Shelf for product
storage.
No visible screws.
Sturdy.



No assembly
required



Eco-responsible



100%
NATURAL
TEAK



Do not
apply oil

Add style and warmth to your bathroom (or any room!) with the Fiji 3-tier corner shelf.

Corner shelves save space and help keep your towels or other bathroom essentials neatly displayed and organized.

Fiji square shelf
3 tiers 36" (90 cm)



17" L x 17" D x 37" H
43 cm L x 43 cm H x 94 cm W

SKU: ACC608

Fiji square shelf
4 tiers 50" (128 cm)



17" L x 17" D x 52" H
43 cm L x 43 cm H x 132 cm W

SKU: ACC609

Fiji corner shelf
4 tiers 50" (128 cm)



13" L x 13" D x 52" H
33 cm L x 33 cm H x 127 cm W

SKU: ACC610

NEW



BEN 572

Hawaii Bench Tables

-  100% NATURAL GRADE A
-  MORTISE & TENON JOINT
-  WILL NOT SPLINTER
-  HAND SANDED FINISH
-  Eco-responsible
-  100% NATURAL TEAK
-  Do not apply oil

Hawaii bench table 36" (90 cm)

36" L x 18" D x 18" H

90 cm L x 45 cm D x 45 cm H

SKU: BEN572



This versatile and elegant bench can be used in the bathroom, shower, or spa. It also doubles as a side table.

Hawaii bench table 48" (120 cm)

48" L x 18" D x 18" H

120 cm L x 45 cm D x 45 cm H

SKU: BEN573



BEN 572

Hot Tub Steps



BEN 548



100% NATURAL
GRADE A



MORTISE &
TENON JOINT



WILL NOT
SPLINTER



HAND SANDED
FINISH



Eco-responsible



100%
NATURAL
TEAK



Do not
apply oil

Hot tub step 24" (60 cm)



23" L x 23 ½" H x 19 ½" W
59 cm L x 60 cm H x 50 cm W

SKU: BEN548
(*)

Hot tub step 36" (90 cm)



36" L x 19 ½" H x 23 ½" W
92 cm L x 50 cm H x 60 cm W

SKU: BEN575
(*)

Hot tub step 48" (120 cm)



48" L x 19 ½" H x 23 ½" W
122 cm L x 50 cm H x 60 cm W

SKU: BEN576
(*)

Kids' step stool



3 ¾" L x 13" W x 13 ¾" H
10 cm L x 33 cm W x 35 cm H

SKU: ACC554

(*) Some assembly required. Please indicate on your order form if you would like ARB Teak to pre-assemble these items for you FREE OF CHARGE

Elite Shower Benches



100% NATURAL
GRADE A



MORTISE &
TENON JOINT



WILL NOT
SPLINTER



HAND SANDED
FINISH

Embodying the height of comfort, Elite shower benches are A.R.B Teak's widest benches, ideal for steam showers and saunas.

The extra space and gentle curve allow for maximum relaxation, whether sitting or lying down.



BEN528

Elite Shower Benches

Ideal for spas, steam showers and saunas

The widest and most spacious seat of our shower bench models. The extra space and gentle curve allow for maximum relaxation, sitting or lying down.



No assembly required



Eco-responsible



Do not apply oil

Elite shower bench
71" (180 cm)



71 1/2" L x 19 1/2" D x 17 3/4" H
180 cm L x 50 cm D x 45 cm H

SKU: BEN526

Elite shower bench
36" (90 cm)



35 1/2" L x 19 1/2" D x 17 3/4" H
90 cm L x 49.5 cm D x 45 cm H

SKU: BEN528

Elite shower bench
47" (120 cm)



47 1/4" L x 19 1/2" D x 17 3/4" H
120 cm L x 50 cm D x 45 cm H

SKU: BEN538

Elite shower bench
59" (150 cm)



59" L x 19 1/2" D x 17 3/4" H
150 cm L x 50 cm D x 45 cm H

SKU: BEN527

Curved Shower Benches



100% NATURAL
GRADE A



MORTISE &
TENON JOINT



WILL NOT
SPLINTER



HAND SANDED
FINISH

Enjoy the extra seating space and ultra-comfortable curved design of ARB Teak's Curved Collection. All of our benches are naturally resistant to water and mildew because they are made of grade A teak, which has an exceptionally high oil content and tight grain.

Some assembly required. Please indicate on your order form if you would like ARB Teak to pre-assemble any of our knock-down products for you. FREE OF CHARGE.



BEN342

Curved Shower Benches

Gentle curve, larger seating area, extra weight support



Assembly required



Eco-responsible



100%
NATURAL
TEAK



Do not
apply oil

Curved shower bench
24" (60 cm)



23 1/2" L x 15 3/4" D x 17 3/4" H
60 cm L x 40 cm D x 45 cm H

SKU: BEN342

*

Curved shower bench
36" (90 cm)



35 1/2" L x 15 3/4" D x 17 3/4" H
90 cm L x 40 cm D x 45 cm H

SKU: BEN552

*

Curved shower bench
47" (120 cm)



47 1/4" L x 15 3/4" D x 17 3/4" H
120 cm L x 40 cm D x 45 cm H

SKU: BEN341

*

Curved shower bench
59" (150 cm)



59" L x 15 3/4" D x 17 3/4" H
150 cm L x 40 cm D x 45 cm H

SKU: BEN340

*

Curved shower bench
71" (180 cm)



71" L x 15 3/4" D x 17 3/4" H
180 cm L x 40 cm D x 45 cm H

SKU: BEN559

*

(*)

Some assembly required. Please indicate on your order form if you would like ARB Teak to pre-assemble these items for you FREE OF CHARGE

ACCESSORIES

Bath, Shower, and Spa

Soak in a luxurious bubble bath with the help of our bath caddies – perfect for holding your wine glass, candle or book as you relax and melt the day’s stress away.

BONUS! All tub caddies double as tub seats.



100% NATURAL
GRADE A



WILL NOT
SPLINTER



MORTISE &
TENON JOINT



HAND SANDED
FINISH



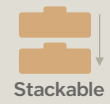
Eco-responsible



100%
NATURAL
TEAK



Do not
apply oil



Stackable



MAT 2518

Coach tub seat/caddy
32" (80 cm)



31 ½" L x 12" D x 1 ½" H
80 cm L x 31 cm D x 4 cm H
Seat: 16" L x 12" D (41 cm L x 31 cm D)

SKU: ACC536

Coach tub seat/caddy
35" (88 cm)



34 ½" L x 12" D x 1 ½" H
88 cm L x 31 cm D x 4 cm H
Seat: 17 ¼" L x 12" D (44 cm L x 31 cm D)

SKU: ACC537



ACC 537



Assembly required

Fiji tub seat/caddy
44" (112 cm)
4 slats



44" L x 6 3/4" D x 1" H
112 cm L x 17 cm D x 2.5 cm H

SKU: ACC591

Fiji tub seat/caddy
35" (88 cm)
4 slats



34 1/2" L x 6 3/4" D x 1" H
88 cm L x 17 cm D x 2.5 cm H

SKU: ACC583

Fiji tub seat/caddy
35" (88 cm)
5 slats



34 1/2" L x 6" D x 3/4" H
88 cm L x 15.25 cm D x 2 cm H

SKU: ACC584



Coach Kitchen Sink Caddies



Coach kitchen
sink caddy 18" (46 cm)

18" L x 6" D x $\frac{3}{4}$ " H
46 cm L x 15 cm D x 2 cm H



SKU: ACC590

Coach kitchen
sink caddy 24" (60 cm)

24" L x 6" D x $\frac{3}{4}$ " H
60 cm L x 15 cm D x 2 cm H



SKU: ACC598

Accessories - Hooks and Shelves

Wall shelf 10 hooks
48" (120 cm)

NEW



48" L x 9" D x 9" H
120 cm L x 23 cm D x 23 cm H

SKU: ACC592

Wall shelf 8 hooks
36" (89 cm)



36" L x 9" D x 9" H
89 cm L x 23 cm D x 23 cm H

SKU: ACC589

Wall shelf 4 hooks 18" (45 cm)



18" L x 9" D x 9" H
45 cm L x 23 cm D x 23 cm H

SKU: ACC543

Wall shelf 6 hooks 24" (60 cm)



24" L x 9" D x 9" H
60 cm L x 23 cm D x 23 cm H

SKU: ACC588



Towel hooks - pack of 2 ¾" (2 cm)



Stainless steel screws included.
¾" L x 3" D x 6 ½" H
2 cm L x 8 cm D x 17 cm H

SKU: ACC551



FOLDING SHOWER BENCHES

- 100% NATURAL
GRADE A
- MORTISE &
TENON JOINT
- WILL NOT
SPLINTER
- HAND SANDED
FINISH
- Eco-responsible
- 100%
NATURAL
TEAK
- Do not
apply oil
- Folding
- Stackable

Folding shower bench with handle
16" (40 cm)



16" L x 15" D x 18" H
41 cm L x 38 cm D x 46 cm H

SKU: BEN560

Folding gateleg shower bench
20" (51 cm)



20" L x 11 ¼" D x 17 ¾" H
51 cm L x 30 cm D x 45 cm H

SKU: BEN561

Accessories

Western trip round folding side table with handle 20" (50 cm)



19 3/4" L x 19 3/4" D x 20" H
50 cm L x 50 cm D x 51 cm H

SKU: TAB192

Western trip square folding side table with handle 20" (50 cm)



19 3/4" L x 19 3/4" D x 20" H
50 cm L x 50 cm D x 51 cm H

SKU: TAB062



(FOLDED)

Towel/magazine holder



16" L x 13" D x 19 1/2" H
41 cm L x 33 cm D x 50 cm H

SKU: ACC550



Natural River Stone Sink
Various dimensions available

SKU: ACC511

Accessories Tower Ladders



100% NATURAL
GRADE A



MORTISE &
TENON JOINT



Eco-responsible



100%
NATURAL
TEAK



Do not
apply oil



WILL NOT
SPLINTER



HAND SANDED
FINISH

Functional and decorative, A·R·B Teak ladder-style towel holders are ideal for holding your towels and linens. Teak is naturally mold-resistant and antibacterial, making our towel ladders ideal in for both bathroom and poolside settings.

Towel ladder 4 bars
47" (120 cm)



22 ½" L x 2" D x 47" H
57 cm L x 5 cm D x 120 cm H

SKU: ACC523

Towel ladder 5 bars
59" (150 cm)



22 ½" L x 2" D x 59" H
57 cm L x 5 cm D x 150 cm H

SKU: ACC539

Towel ladder 6 bars
71" (180 cm)



22 ½" L x 2" D x 71" H
57 cm L x 5 cm D x 180 cm H

SKU: ACC522

Self-standing towel ladder
4 bars 47" (120 cm)



22 ½" L x 13" D x 47" H
57 cm L x 33 cm D x 120 cm H

SKU: ACC525*

Self-standing towel ladder
5 bars 59" (150 cm)



22 ½" L x 13" D x 59" H
57 cm L x 33 cm D x 150 cm H

SKU: ACC526*

Self-standing towel ladder
6 bars 71" (180 cm)



22 ½" L x 13" D x 71" H
57 cm L x 33 cm D x 180 cm H

SKU: ACC524*

* Simple assembly required: attach feet to body of ladder.

Accessories Shelves



100% NATURAL
GRADE A



MORTISE &
TENON JOINT



Eco-responsible



100%
NATURAL
TEAK



Do not
apply oil



WILL NOT
SPLINTER



HAND SANDED
FINISH

Use your bathroom space more efficiently by thinking vertically! With their sleek yet sturdy design, our bath shelves allow you to create practical storage solutions while adding warmth and style to your bathroom or any room! No assembly required.

Corner shelf 36" (90 cm)



17 3/4" L x 9 3/4" D x 35 1/2" H
45 cm L x 25 cm D x 90 cm H

SKU: ACC535

Corner shelf 45" (115 cm)



17 3/4" L x 9 3/4" D x 45" H
45 cm L x 25 cm D x 115 cm H

SKU: ACC533

Corner shelf 59" (150 cm)



17 3/4" L x 9 3/4" D x 59" H
45 cm L x 25 cm D x 150 cm H

SKU: ACC534

Square shelf 48" (120 cm)



17 3/4" L x 17 1/2" D x 48" H
45 cm L x 44 cm D x 120 cm H

SKU: ACC528

Square shelf 59" (150 cm)



17 3/4" L x 17 1/2" D x 59" H
45 cm L x 44 cm D x 150 cm H

SKU: ACC527

Square shelf 71" (180 cm)



17 3/4" L x 17 1/2" D x 71" H
45 cm L x 44 cm D x 180 cm H

SKU: ACC529

Teak shower bases
MATS / TILES



Shower Bath Mats



100% NATURAL
GRADE A



MORTISE &
TENON JOINT



Eco-responsible



100%
NATURAL
TEAK



Do not
apply oil



WILL NOT
SPLINTER



HAND SANDED
FINISH



Stackable



Indoor/Outdoor

Adding a custom teak floor to your existing shower base will dramatically change the look and feel of your bathroom by adding warmth to your décor, creating a focal point, and instantly updating your bath space. ARB Teak mats can be used on your existing shower base, including acrylic bases, tiles, and concrete.

Rubber feet not included.



MAT2014:

Tile 20" x 14" x 1 ¼"
(5 cm L x 35.5 cm D x 3 cm H)

MAT2414:

Tile 24" x 14" x 1 ¼"
(61 cm L x 35.5 cm D x 3 cm H)

MAT2518:

Tile 25" x 18" x 1 ¼"
(63.5 cm L x 46 cm D x 3 cm H)

MAT3214:

Tile 32" x 14" x 1 ¼"
81 cm L x 35.5 cm D x 3 cm H)

MAT3030:

Tile 30" x 30" x 1 ¼"
(76 cm L x 76 cm D x 3 cm H)

MAT3630:

Tile 36" x 30" x 1 ¼"
(91.5 cm L x 76 cm D x 3 cm H)

MAT3636:

Tile 36" x 36" x 1 ¼"
(91.5 cm L x 91.5 cm D x 3 cm H)

MAT4836:

Tile 48" x 36" x 1 ¼"
122 cm L x 91.5 cm D x 3 cm H)

MAT6040:

Tile 60" x 40" x 1 ¼"
(152.5 cm L x 102 cm D x 3 cm H)

MAT7050:

Tile 70" x 50" x 1 ¼"
(178 cm L x 127 cm D x 3 cm H)

Custom Shower Mats

100% NATURAL GRADE A

MORTISE & TENON JOINT

Eco-responsible

100% NATURAL TEAK

Do not apply oil

WILL NOT SPLINTER

HAND SANDED FINISH

Stackable

Indoor/Outdoor



We can cut your mat to your exact requirements. Select a mat that is slightly larger than the area to be covered.

Mat cutting fee: \$80/mat net. No discount.

HOW TO MEASURE

1. Measure the distance from wall to wall on all sides, inside the base.
2. Subtract $\frac{1}{4}$ " from the width and depth to allow easy removal of the mat for cleaning purposes.

Allow 3 weeks for delivery after placing order.

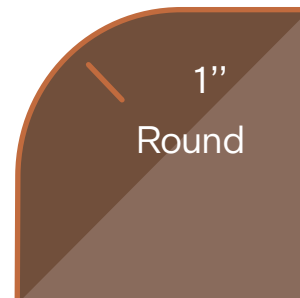
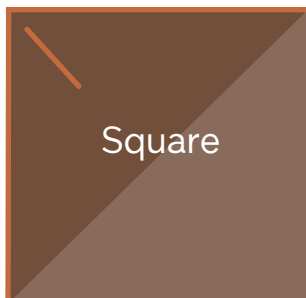
Custom Mat Measurements Example:

Depth: $36 \frac{1}{4}$ " = 36" . 92.1 CM = 91.44 CM

Width: $42 \frac{1}{4}$ " = 42" . 107.3 CM = 106.7 CM



Choose between these 4 corner styles when ordering a custom cut:



Custom Orders

Projects

Dreaming of the perfect custom teak piece for your home or business? ARB Teak offers custom manufacturing tailored to your requirements.

Shower benches, shower bases, floor tiles, vanities, and more – you name it, we can build it.

For further information, including pricing inquiries, please contact our customer service department:

Toll free: 855.772.8325
info@arbteak.com



CARE INSTRUCTIONS

Teak is maintenance-free. Grade A teak, when left 100% natural, doesn't need any protection from the weather, elements or pests. It inherently has everything it needs to take care of itself. Contrary to popular belief, you don't need a special 'teak cleaner' or 'teak oil' to take care of your teak – ever! In fact, once treated, there are no guarantees how the piece will handle itself when exposed to the elements.

Here's how to take care of teak properly:



Before Use

Before use, wash using a plastic bristle brush, dish soap and water to remove manufacturing sawdust and surface oil.

Cleaning

- Use a constant flow of water
- Brush in the direction of the grain
- Don't forget to flip your shower benches and mats over to get underneath.

Regular cleaning

- Rinse the item with warm water and scrub with a plastic bristle brush.
- As well as the exposed surface, shower mats and benches should be washed underneath to get rid of any accumulation of soap residue.
- The use of detergents or abrasive products can damage your teak and affect its durability. Use warm water and a plastic bristle brush only.

So now you know: Once a client opts for a well-made grade A shower bench or mat, there's not much more they need to do but relax and enjoy their spa-like shower experience. And any suggestion that natural grade A teak requires regular maintenance beyond mild soap and a bristle brush is either lack of knowledge, hiding inferior quality wood, or will compromise the quality of the piece.

Have you heard or read something different on how to clean teak?
Don't hesitate to reach out to us with any questions that you might have.



TEAK UNIVERSITY

ARB Teak lives and breathes Indonesian teak furniture. It is because of this passion that we are committed to sharing our wisdom and knowledge so that you too can become a teak expert.

We truly believe the more you learn about teak, the more you will not only come to see it as the only solution for bath and spa furniture, but also come to fall in love with it like we have!

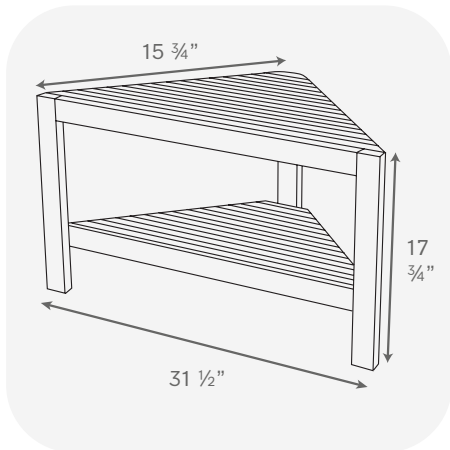
Welcome to TEAK U.

Subscribe to TEAK U
by emailing us at
info@arbteak.com

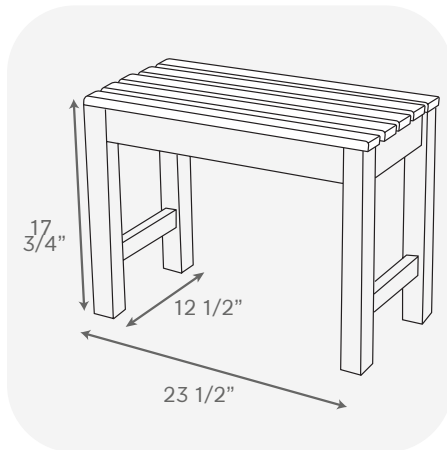


Teak & Specialties

Schematic References



31 1/2" L x 15 3/4" D x 17 3/4" H
80 cm L x 40 cm D x 45 cm H



23 1/2" L x 12 1/2" D x 17 3/4" H
60 cm L x 30.5 cm D x 45 cm H



36" x 18" x 18"
90 cm L x 45 cm D x 45 cm H



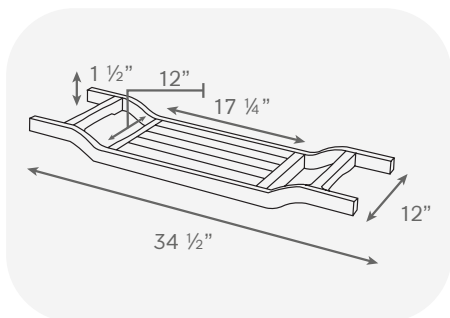
17" L x 17" D x 37" H
43 cm L x 43 cm D x 94 cm H



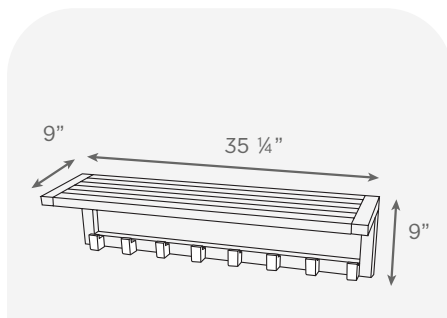
14 1/2" L x 7 3/4" D x 35 1/2" H
37 cm L x 20 cm D x 90 cm H



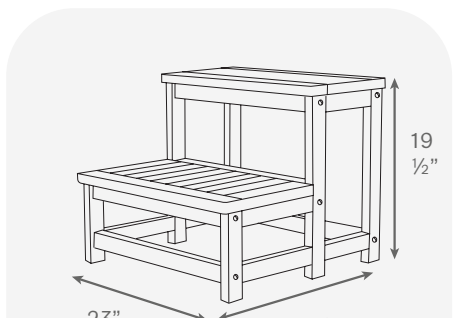
22 1/2" L x 13" D x 59" H
57 cm L x 33 cm D x 150 cm H



34 1/2" L x 12" D x 1 1/2" H
Seat: 17 1/4" L x 12" D
88 cm L x 30.5 cm D x 4 cm H
Seat: 17 1/4" L x 12" D
(44 cm L x 31 cm D)

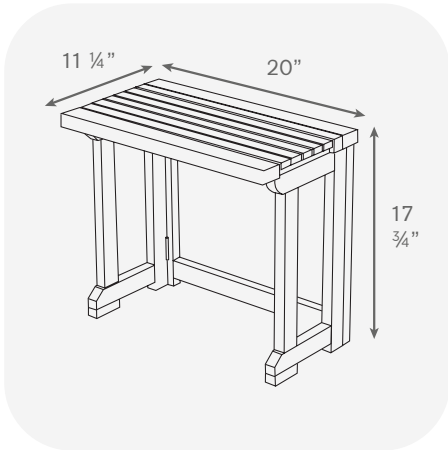


35 1/4" L x 9" D x 9" H
89 cm L x 23 cm D x 23 cm H



23" L x 23 1/2" D x 19 1/2" H
59 cm L x 60 cm D x 50 cm H

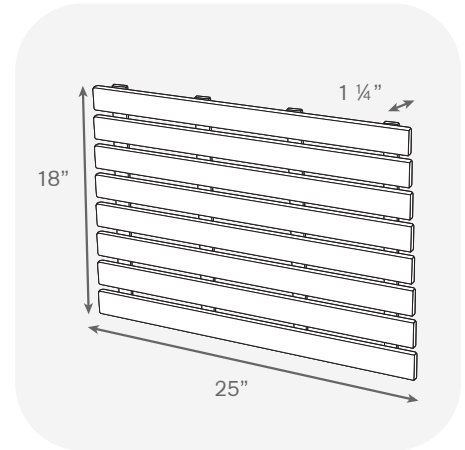
Schematic References



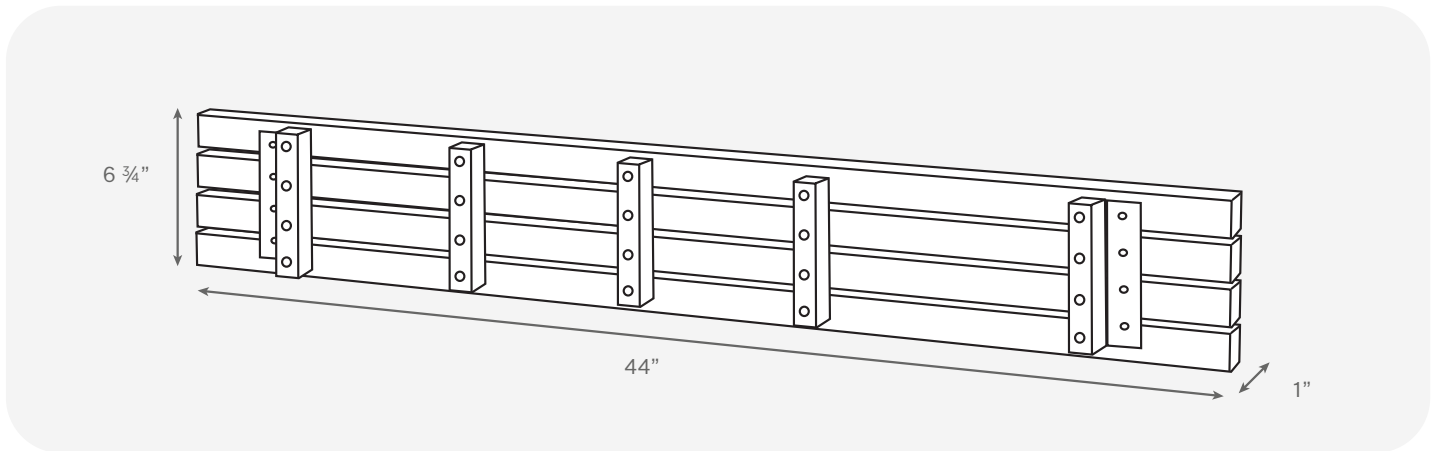
20" L x 11 1/4" D x 17 3/4" H
51 cm L x 28.5 cm D x 45 cm H



19 3/4" L x 19 3/4" D x 20" H
50 cm L x 50 cm D x 51 cm H



Tile 25" x 18" x 1 1/4"
(63.5 cm L x 46 cm D x 3 cm H)



44" L x 6 3/4" D x 1" H
112 cm L x 17 cm D x 2.5 cm H



2023 US PRICE LIST

USD

COACH SHOWER BENCHES

| | | |
|--------|---|------------|
| BEN519 | Coach teak shower bench 16" (40 cm) | \$349.00 |
| BEN537 | Coach teak shower bench 16" (40 cm) with shelf | \$399.00 |
| BEN517 | Coach teak shower bench 24" (60 cm) | \$449.00 |
| BEN516 | Coach teak shower bench 24" (60 cm) with shelf | \$549.00 |
| BEN564 | Coach teak shower bench 30" (75 cm) | \$549.00 |
| BEN534 | Coach teak shower bench 36" (90 cm) | \$659.00 |
| BEN536 | Coach teak shower bench 36" (90 cm) with shelf | \$799.00 |
| BEN518 | Coach teak shower bench 47" (120 cm) | \$799.00 |
| BEN545 | Coach teak shower bench 47" (120 cm) with shelf | \$999.00 |
| BEN567 | Coach teak shower bench 59" (150 cm) with shelf | \$1,199.00 |
| BEN521 | Coach teak shower bench 59" (150 cm) | \$999.00 |
| BEN520 | Coach teak shower bench 71" (180 cm) | \$1,099.00 |

COACH CORNER SHOWER BENCHES

| | | |
|--------|--|----------|
| BEN514 | Coach teak corner shower bench 31.5" (80 cm) | \$549.00 |
| BEN544 | Coach teak corner footrest 15" (37 cm) | \$219.00 |

FIJI SHOWER BENCHES

| | | |
|--------|--|----------|
| BEN531 | Fiji teak shower bench 18" (45 cm) | \$349.00 |
| BEN530 | Fiji teak shower bench 24" (60 cm) | \$449.00 |
| BEN566 | Fiji teak shower bench 30" (75 cm) | \$549.00 |
| BEN563 | Fiji teak shower bench 36" (90 cm) | \$649.00 |
| BEN574 | Fiji square teak footstool 12" (30 cm) | \$279.00 |
| BEN601 | Fiji shower bench 12" (30 cm) with shelf | \$299.00 |
| BEN602 | Fiji shower bench 16" (45 cm) with shelf | \$399.00 |
| BEN603 | Fiji shower bench 24" (60 cm) with shelf | \$549.00 |
| BEN604 | Fiji shower bench 30" (75 cm) with shelf | \$649.00 |
| BEN605 | Fiji shower bench 35.5" (90 cm) with shelf | \$799.00 |
| BEN606 | Fiji shower bench 47" (120 cm) | \$849.00 |
| BEN607 | Fiji shower bench 47" (120 cm) with shelf | \$999.00 |

FIJI CORNER SHOWER BENCHES

| | | |
|--------|--|----------|
| BEN529 | Fiji teak corner shower bench 31" (80 cm) | \$549.00 |
| BEN558 | Fiji teak corner shower bench 31" (80 cm) with shelf | \$659.00 |

COACH & FIJI FOOTRESTS

| | | |
|--------|--|----------|
| BEN544 | Coach teak corner footrest 15" (37 cm) | \$219.00 |
| BEN547 | Fiji teak corner footrest 15" (37 cm) | \$219.00 |
| BEN557 | Fiji teak corner footrest 15" (37 cm) with shelf | \$259.00 |

FIJI SHOWER SHELVES

| | | |
|--------|---|----------|
| ACC585 | Fiji teak corner shelf with 3 tiers | \$449.00 |
| ACC608 | Fiji square teak shelf with 3 tiers 36" (90cm) | \$549.00 |
| ACC609 | Fiji square teak shelf with 4 tiers 50" (128cm) | \$649.00 |
| ACC610 | Fiji corner teak shelf with 4 tiers 50" (128cm) | \$549.00 |

HAWAII BENCH TABLE

| | | |
|--------|--------------------------------------|----------|
| BEN572 | Hawaii teak bench table 36" (90 cm) | \$699.00 |
| BEN573 | Hawaii teak bench table 47" (120 cm) | \$799.00 |

HOT TUB STEPS

| | | |
|--------|--------------------------------|------------|
| BEN548 | Teak hot tub step 24" (60 cm) | \$699.00 |
| BEN575 | Teak hot tub step 36" (90 cm) | \$899.00 |
| BEN576 | Teak hot tub step 48" (120 cm) | \$1,099.00 |
| ACC554 | Kid's step stool | \$379.00 |

ELITE SHOWER BENCHES

| | | |
|--------|--------------------------------------|------------|
| BEN528 | Elite teak shower bench 36" (90 cm) | \$999.00 |
| BEN526 | Elite teak shower bench 71" (180 cm) | \$1,339.00 |
| BEN527 | Elite teak shower bench 59" (150 cm) | \$1,299.00 |
| BEN538 | Elite teak shower bench 47" (120 cm) | \$1,199.00 |

CURVED SHOWER BENCHES

| | | |
|--------|---------------------------------------|------------|
| BEN342 | Curved teak shower bench 24" (60 cm) | \$499.00 |
| BEN552 | Curved teak shower bench 36" (90 cm) | \$799.00 |
| BEN341 | Curved teak shower bench 47" (120 cm) | \$899.00 |
| BEN340 | Curved teak shower bench 59" (150 cm) | \$999.00 |
| BEN559 | Curved teak shower bench 71" (180 cm) | \$1,199.00 |

ACCESSORIES - BATH, SHOWER & SPA

| | | |
|--------|---|----------|
| ACC536 | Coach teak tub seat/caddy 31.5" (80 cm) | \$449.00 |
| ACC537 | Coach teak tub seat/caddy 34.5" (88 cm) | \$549.00 |

| | | |
|--------|--|----------|
| ACC591 | Fiji teak tub seat/caddy 44" (112 cm) 4 slats | \$299.00 |
| ACC583 | Fiji teak tub seat/caddy 34.5" (88 cm) 4 slats | \$219.00 |
| ACC584 | Fiji teak tub seat/caddy 34.5" (88 cm) 5 slats | \$219.00 |

COACH KITCHEN SINK CADDIES

| | | |
|--------|---|----------|
| ACC590 | Coach teak kitchen sink caddy 18" (46 cm) | \$169.00 |
| ACC598 | Coach teak kitchen sink caddy 24" (60 cm) | \$199.00 |

ACCESSORIES - HOOKS AND SHELVES

| | | |
|--------|-------------------------------|----------|
| ACC592 | Teak wall shelf with 10 hooks | \$649.00 |
| ACC589 | Teak wall shelf with 8 hooks | \$549.00 |
| ACC543 | Teak wall shelf with 4 hooks | \$419.00 |
| ACC588 | Teak wall shelf with 6 hooks | \$449.00 |
| ACC551 | Teak towel hooks 2 pcs | \$69.00 |

FOLDING SHOWER BENCHES

| | | |
|--------|--|----------|
| BEN560 | Folding teak shower bench 16" (40 cm) with handle | \$449.00 |
| BEN561 | Folding teak shower bench with gateleg 20" (51 cm) | \$449.00 |

ACCESSORIES

| | | |
|--------|--------------------------------|----------|
| TAB192 | Folding side teak table round | \$249.00 |
| TAB062 | Folding side teak table square | \$249.00 |
| ACC550 | Teak towel & magazine holder | \$219.00 |
| ACC511 | Natural river stone sink | \$449.00 |

ACCESSORIES - TOWEL LADDER

| | | |
|--------|---|----------|
| ACC523 | Teak towel ladder 4 bars 47" (120 cm) | \$549.00 |
| ACC539 | Teak towel ladder 5 bars 59" (150 cm) | \$599.00 |
| ACC522 | Teak towel ladder 6 bars 71" (180 cm) | \$699.00 |
| ACC525 | Self-standing teak towel ladder 4 bars 47" (120 cm) | \$599.00 |
| ACC526 | Self-standing teak towel ladder 5 bars 59" (150 cm) | \$659.00 |
| ACC524 | Self-standing teak towel ladder 6 bars 71" (180 cm) | \$769.00 |

ACCESSORIES - SHELVES

| | | |
|--------|-------------------------------------|------------|
| ACC535 | Corner teak bath shelf 36" (90 cm) | \$899.00 |
| ACC533 | Corner teak bath shelf 45" (115 cm) | \$999.00 |
| ACC534 | Corner teak bath shelf 59" (150 cm) | \$1,099.00 |

| | | |
|--------|-------------------------------------|------------|
| ACC528 | Square teak bath shelf 48" (120 cm) | \$1,399.00 |
| ACC527 | Square teak bath shelf 59" (150 cm) | \$1,549.00 |
| ACC529 | Square teak bath shelf 71" (180 cm) | \$1,699.00 |

SHOWER BATH MATS

| | | |
|---------|---|------------|
| MAT2014 | Teak tile 20" X 14" (51 cm x 35.5 cm) | \$119.00 |
| MAT2414 | Teak tile 24" X 14" (61 cm x 35.5 cm) | \$129.00 |
| MAT2518 | Teak tile 25" X 18" (63.5 cm x 46 cm) | \$159.00 |
| MAT3214 | Teak tile 32" X 14" (81 cm x 35.5 cm) | \$159.00 |
| MAT3030 | Teak tile 30" X 30" (76 cm x 76 cm) | \$349.00 |
| MAT3630 | Teak tile 36" X 30" (91.5 cm x 76 cm) | \$419.00 |
| MAT3636 | Teak tile 36" X 36" (91.5 cm x 91.5 cm) | \$499.00 |
| MAT4836 | Teak tile 48" X 36" (122 cm x 91.5 cm) | \$649.00 |
| MAT6040 | Teak tile 60" X 40" (152.5 cm x 102 cm) | \$999.00 |
| MAT7050 | Teak tile 70" X 50" (178 cm x 127 cm) | \$1,299.00 |



**Discover our
Outdoor Collection**



ARBTek.com