



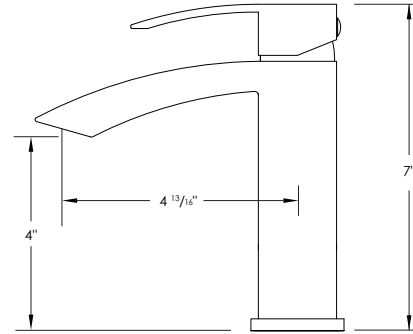
SABANA

B-109

SINGLE HANDLE BASIN BATHROOM FAUCET



DIMENSIONS



RECOMMENDED ACCESSORIES



D-700B D-700C D-701N
POP-UP DRAINS WITH OVERFLOW

HANDLE TYPE



LEVER

NUMBER OF HANDLE

1

CARTRIDGE MODEL

PREMIUM CERAMIC VALVE

SIZE: 35mm
STYLE: LEVER

CONTROL WATER TEMPERATURE



HOT AND COLD

FAUCET FINISH



BRUSHED NICKEL (B)

POLISHED CHROME (C)

MATTE BLACK (N)

PRODUCT DIMENSIONS

Faucet Height (in)	7"
Spout Height (in)	4"
Spout Reach (in)	4 13/16"

CONFIGURATION



1-HOLE

3-HOLES

INSTALLATION



DESIGNED FOR EASY INSTALLATION.
INSTALLATION INSTRUCTION INCLUDED IN THE BOX

MATERIAL



LEAD FREE SOLID BRASS

CUT OUT HOLE



DECK PLATE

NO INCLUDED.
REQUIRED FOR 3 HOLES INSTALLATION

WATER FLOW

2.2

WATER FLOW RATE (GPM)

WATERLINES MODEL



CONNECTIONS 3/8"

WARRANTY

This product is covered by a limited lifetime warranty. Consult our website for complete details.

PRODUCT CARE

- Wipe faucet with damp cloth and mild household cleanser.
- Dry with soft cloth to maintain original appearance.
- Remove hard water stains with 50/50 solution vinegar and water.
- If mineral deposits are too hard to remove, specially in the aerator, unscrew aerator by hand or with tool provided with faucet, soak aerator in 50/50 vinegar and water solution for several hours, rub your fingers and use a tooth brush to remove mineral deposits, place aerator back into original position.



STANDARDS COMPLIANCE



AERATOR
Neoperl®

Stylish International Inc.

www.stylishkb.com

[stylish.international.inc](https://www.instagram.com/stylish.international.inc)

care@stylishkb.com

+1-855-789-5352