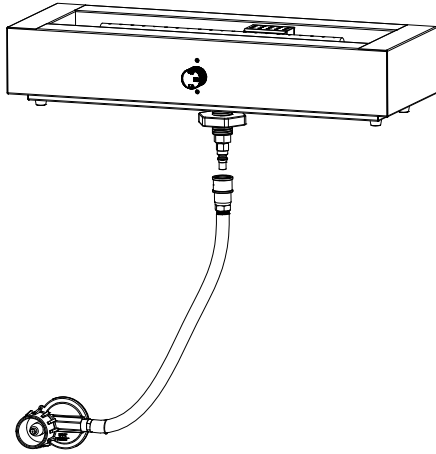




# 20IN TableFire® Gas Firebowl

Item# 50857N  
Model# HYUTT33001-1



Note: A table with an umbrella hole (not included) is required to assemble this product.

**! DANGER**  
**FIRE OR EXPLOSION HAZARD**  
 If you smell gas:

- Shut off gas to the appliance.
- Extinguish any open flame.
- If odor continues, leave the area immediately.
- After leaving the area, call your gas supplier or fire department.

Failure to follow these instructions could result in fire or explosion, which could cause property damage, personal injury, or death.

**! WARNING**

Do not store or use gasoline or other flammable vapors and liquids in the vicinity of this or any other appliance. An LP-cylinder not connected for use shall not be stored in the vicinity of this or any other appliance.

**! WARNING:** If the information in this manual is not followed exactly, a fire or explosion may result causing property damage, personal injury, or loss of life.

**! WARNING** For outdoor use only. Installation and service must be performed by a qualified installer, service agency, or the gas supplier.

**! WARNING**  
 Improper installation, adjustment, alteration, service or maintenance can cause injury or property damage. Refer to the owner's information manual provided with this appliance. For assistance or additional information consult a qualified installer, services agency or the gas supplier.

**INSTALLER:**  
 Leave this manual with the appliance.  
**CONSUMER:**  
 Retain this manual for future reference.


**! DANGER**

**CARBON MONOXIDE HAZARD**

This appliance can produce carbon monoxide which has no odor.

Using it in an enclosed space can kill you.

Never use this appliance in an enclosed space such as a camper, tent, car or home.




## SAFETY INFORMATION

Before you assemble or operate this unit, please carefully read this entire manual. Failure to do so may result in a fire, explosion, injury or death.

### **WARNING**

- The installation of this unit must adhere to local codes or Propane Storage and Handling Code, CSA B149.2.
- **THIS UNIT IS INTENDED FOR OUTDOOR USE ONLY!** This product shall be used outdoors, in a ventilated space and shall not be used in any enclosed area.
- This unit is to be used with propane gas only! (sold separately)
- Do not attach a remote gas supply to this unit.
- Only use propane gas for this unit.
- Solid fuels shall not be burned in this appliance.
- When igniting this unit, stay away from the burner as the flame will light up and may cause injury.
- **LP GAS WARNING:** Do not use any more than 1/4in depth lava rocks/pumice stones/LavaGlass® above the burner holes. Doing so will suffocate the flame.
- If the propane gas tank is leaking gas, you may hear, see, or smell a hiss. Do the following:
  1. Disconnect the propane gas tank.
  2. Do not attempt to fix the problem yourself.
  3. Contact your gas supplier or fire department for help.
- Applying too much propane may result in gas pooling and will not burn. Allow fresh air into the unit so that the remaining gas may escape.
- Do not use a flame to check for gas leaks.
- Manifold pressure: 11 inch w.c. (2.74kPa).
- Use LP propane tanks with the following dimensions: diameter 12 in, height 18 in - capacity 20 lbs.
- You must use a propane tank that has a collar to protect the gas valve.
- **DO NOT** fill tank over 80 percent full.
- The tank system must be set up for vapor withdrawal.
- Discontinue use if any part of the propane tank is damaged. Rust and dents may be hazardous and should be inspected by a gas supplier.
- Do not burn anything other than the provided materials for this fire table.
- Keep away from the unit for the first 20 minutes after igniting your unit for the first time, as lava rocks/pumice stones/LavaGlass® could pop out and cause injury. Should any rocks pop out, discard them.
- Always ensure that lava rocks/pumice stones/LavaGlass® are completely dry before use. Failure to do so will cause them to crack or pop.
- Do not operate unit until all parts are fully assembled.
- Do not paint or color any part of this heating unit.
- Unit may be hot while in use, do not attempt to move it while in use.
- Never leave this heating unit unattended while in use.
- This unit is not intended for cooking.
- Keep any flammable items away and do not use any other fireplace cover for this unit.
- Keep a safe distance to avoid burning skin or clothing.
- Do not sit or rest hands or feet on this heating unit.
- Never place hands or fingers on upper portion of this unit while in use.
- Keep all electrical cords and fuel supply hose away from heated surfaces.

- Combustible material should not be within 60 inches of the top of the unit, or within 48 inches around the entire unit.
- Keep the appliance area clear and free from combustible material, gasoline and other flammable vapors and liquids.
- If the flame goes out while burning, turn the gas valve off. Wait 5 minutes before repeating the initial lighting procedure. Once you have a flame started, hold down the control knob for 1 minute.
- Do not add water into the unit.
- Do not operate unit if any part has been under water. Immediately call a qualified service technician to inspect the appliance and replace any part of the control system and any gas control that has been under water.
- Do not disconnect any part while unit is in use.
- Do not store a spare propane tank on or near this unit.
- If the heating unit is indoors, detach the propane tank and leave outdoors.
- Do not operate on a boat or vehicle. This unit must be used on a flat surface and outdoors ONLY.
- Always remove protective cover before operating (if applicable).
- Do not set the protective cover over the unit until it is turned off and completely cooled down.
- Check for leaks after not using the unit for long periods of time.
- **Children should never operate this unit. Children must be supervised while near this unit.**
- Keep gas tank at least 5 feet away from unit when lit. (if external tank)
- Maximum gas supply: 250 psi; Min. gas supply: 10 psi.
- **All installation and repair should be done by a qualified professional. This unit should be inspected annually and cleaned regularly.**
- Inspect all elements of this heating unit before each use. If there is damage, the burner must be replaced.
- Keep the hose out from any pathways to eliminate any accidental damage. (if external tank)
- Be aware of the hazards of high temperatures and stay away from the unit to avoid any burns or injury.
- The gas supply tank should be constructed and marked with the specifications for the LP gas tanks of the U.S. Department of Transportation or the National Standard of Canada CAN/CSA-B339, LP gas tanks, spheres and tubes for Transportation of Dangerous Goods; and Commission.
- The LP gas tank must have a listed overfilling prevention device and a QCCI or Type I, (CGA791) LP gas tank connection.
- This heating appliance should not be used on plastic or artificial wood decks.
- **Children and adults should be alerted to the hazards of high surface temperatures and should stay away to avoid burns or clothing ignition.**
- **Young children should be carefully supervised when they are in the area of the appliance.**
- **Clothing or other flammable materials should not be hung from the appliance or placed on or near the appliance.**
- **Any guard or other protective device removed for servicing the appliance shall be replaced prior to operating the appliance.**
- **Installation and repair should be done by a qualified service person. The appliance should be inspected before use and at least annually by a qualified service person. More frequent cleaning may be required as necessary. It is imperative that the control compartment, burners and circulating airways of the appliance are kept clean.**

**IF APPLICABLE:**

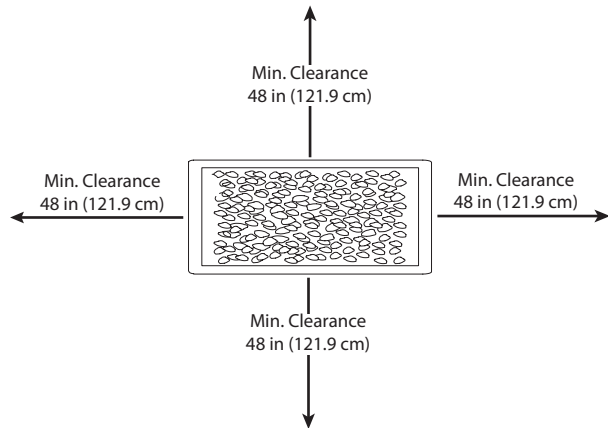
- Allow heating item to cool completely before placing on lid.
- DO NOT use heating item while lid is installed. Always remove the lid while heating item is in use.

## SAFETY INFORMATION

Only use the regulator and hose assembly provided with this unit. Replacement parts must be supplied directly by Bond Manufacturing Co., Inc.

Inspect the burner before use of this unit. If the burner shows any kind of damage, do not operate the appliance. For assistance with repair or replacement of the burner or any other parts, call Bond Manufacturing Co., Inc. at 1.866.771.2663.

**NOTE: You must follow all steps to properly assemble this heating item. Make sure the gas valve is turned “OFF” before assembling. Do NOT attempt to assemble without proper tools.**



**Combustible materials should not be within 60 inches of the top of the unit, or within 48 inches around the entire unit.**

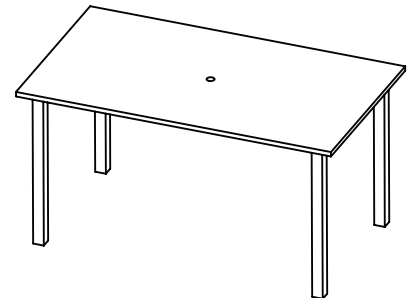
A table with an umbrella hole (not included) is required to assemble this product.

The umbrella hole table size needs to meet the following requirements:

The length and width should not be shorter than 81.28 cm / 32 in.

The height should be lower than 101.6 cm / 40 in.

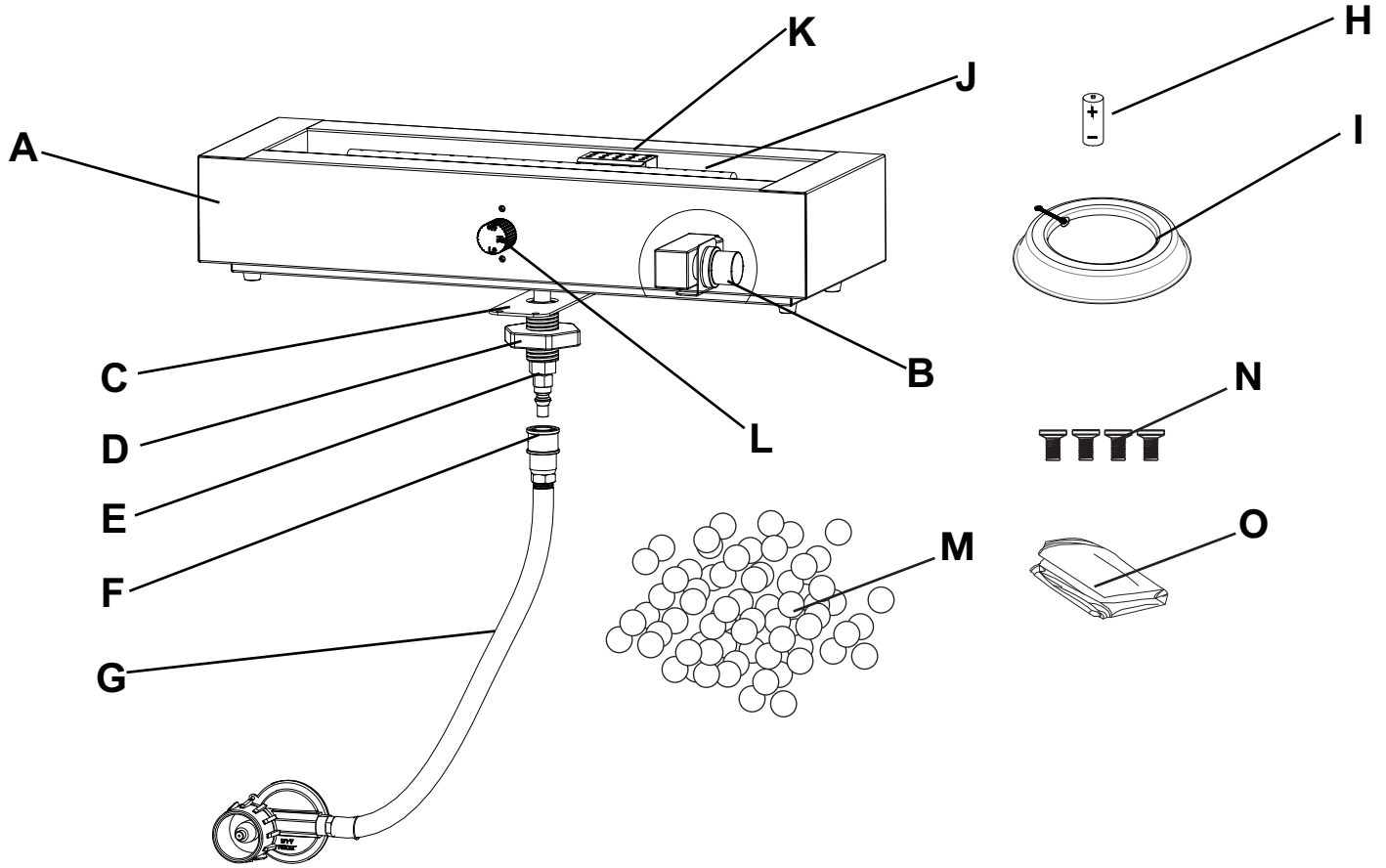
The tabletop should be incombustible material.



Before beginning assembly of product, make sure all parts are present. Compare parts with package contents list and hardware contents list. If any parts are missing or damaged, do not attempt to assemble the product.

**Estimated Assembly Time: 20 minutes**

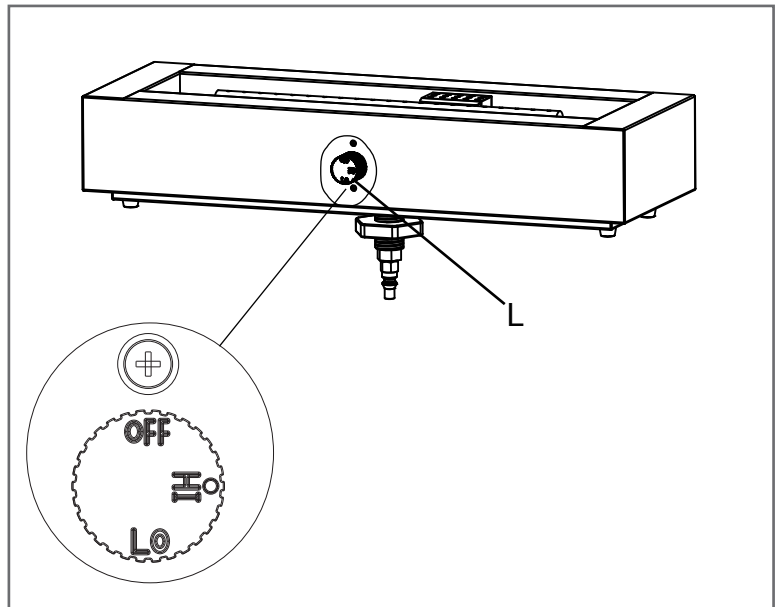
Tools Required for Assembly (not included): Phillips screwdriver



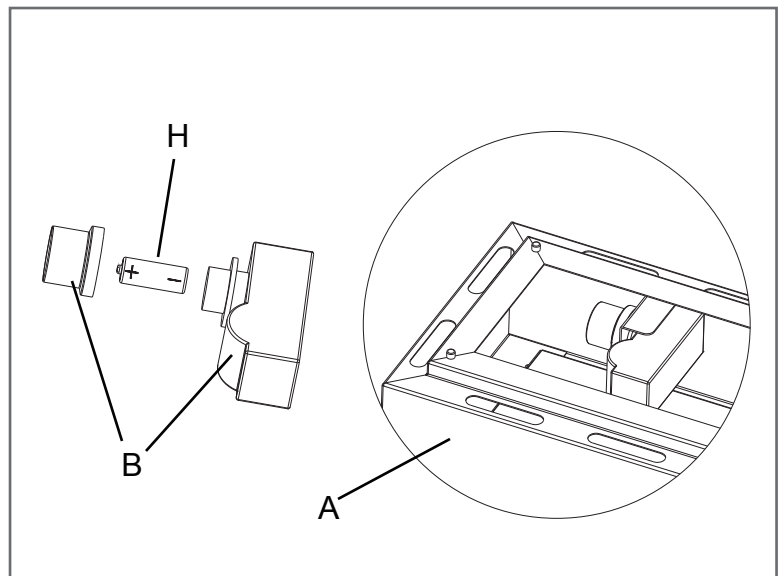
Item	Description	Qty
A	Firebowl Body	1
B	Electronic Igniter (within firebowl insert body)	1
C	Fixing Plate	1
D	Fixing Nut (preassembled)	1
E	Quick Disconnect Connection (male end)	1
F	Quick Disconnect Connection (female end)	1
G	Regulator and Hose	1
H	Battery (AA)	1
I	Tank Holder	1
J	Burner (preassembled)	1
K	Guard (preassembled)	1
L	Ignition Control Knob (preassembled)	1
M	LavaGlass®	1 Bag (1.9kg)
N	M4 Screw	4
O	PVC Cover	1

# ASSEMBLY INSTRUCTIONS

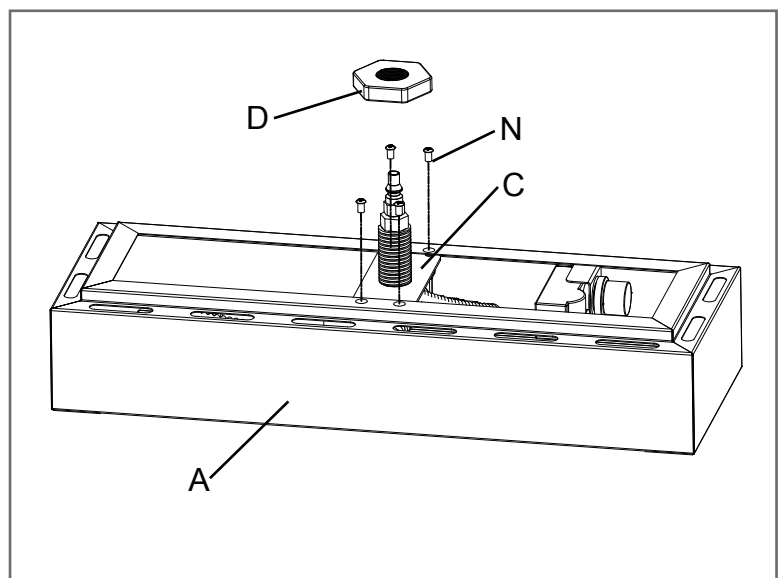
1. Check that the ignition control knob (L) for the gas supply system is turned to the “OFF” position before starting any assembly.



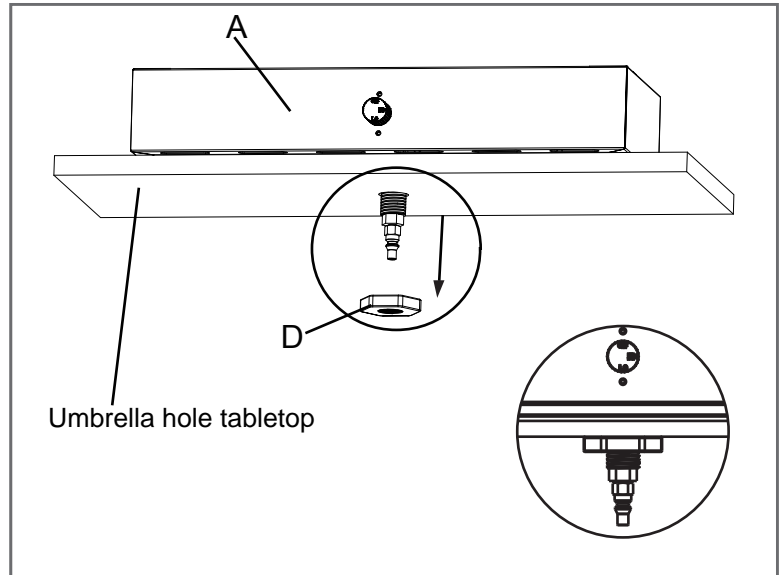
2. Turn the firebowl (A) upside down. Unscrew and remove the cap on the electronic igniter (B), then place in the AA battery (H) into the battery slot. Be sure the positive side of the battery faces outwards. Replace the electronic igniter cap over the battery; be sure to tighten securely.



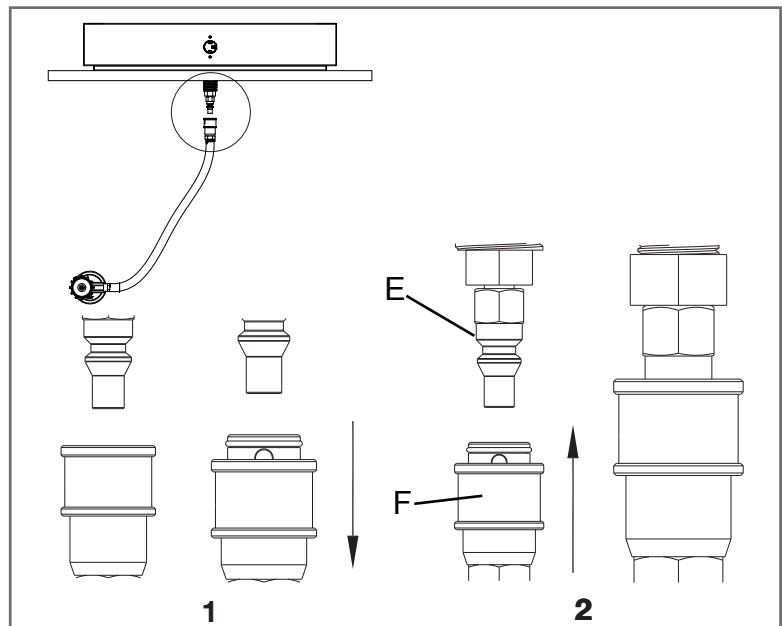
3. Unscrew and remove the fixing nut (D) from the threaded post, then attach the fixing plate (C) onto the bottom of the firebowl body (A) using 4 M4 screws (N). Be sure to tighten securely.



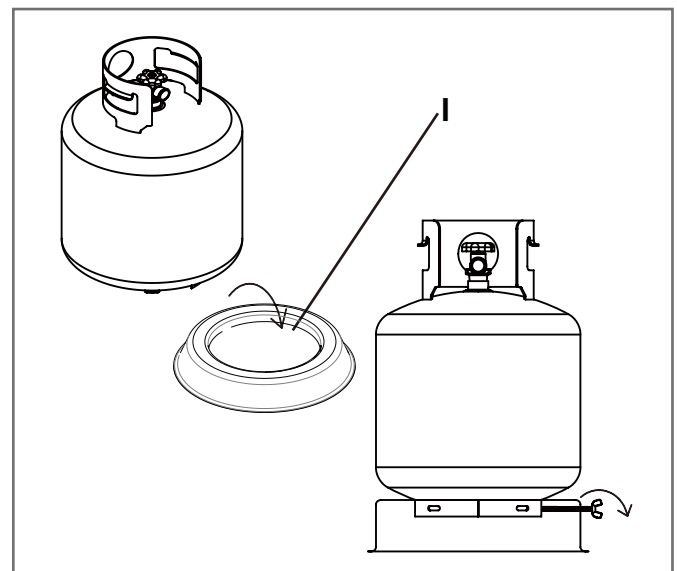
4. Insert the threaded post into the umbrella hole on the tabletop so that the bottom of the firebowl body (A) sits flush on the tabletop. Secure the firebowl body (A) to the table by screwing the fixing nut (D) onto the threaded post underneath the tabletop. Be sure to tighten securely.



5. Pull back and hold the collar on the female end of the quick disconnect connection (F) coupling. Insert the quick disconnect male end (E) fully into the coupling and then release the collar.



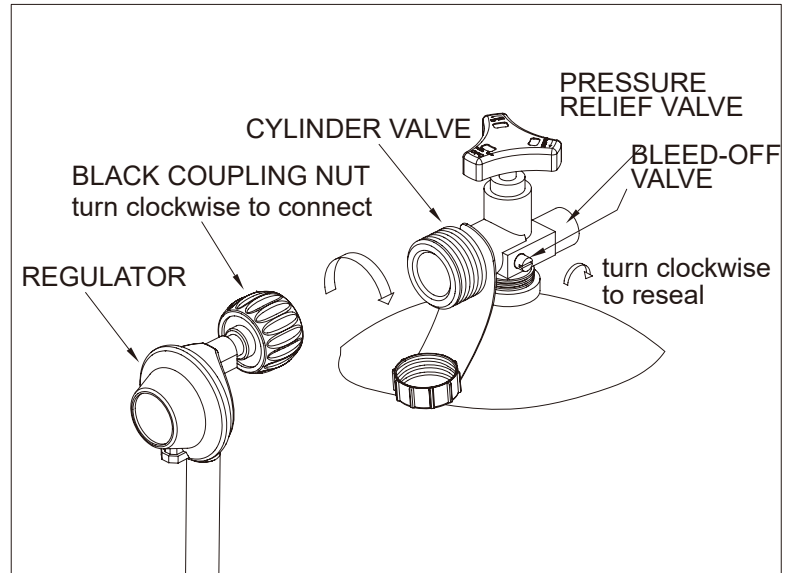
6. Put the 20 lb. propane gas tank (not included) into the tank holder (I). Turn the wing screw on the outside of the tank holder (I) clockwise to tighten the tank into the tank holder.



**! DANGER**

Propane tank must be a minimum of 60 inches away at all times.

7. Turn the cylinder valve on the tank clockwise to close the propane tank. Attach the regulator to the cylinder valve by turning the regulator coupling nut clockwise. Make sure it is fastened securely and tighten connections by hand only.

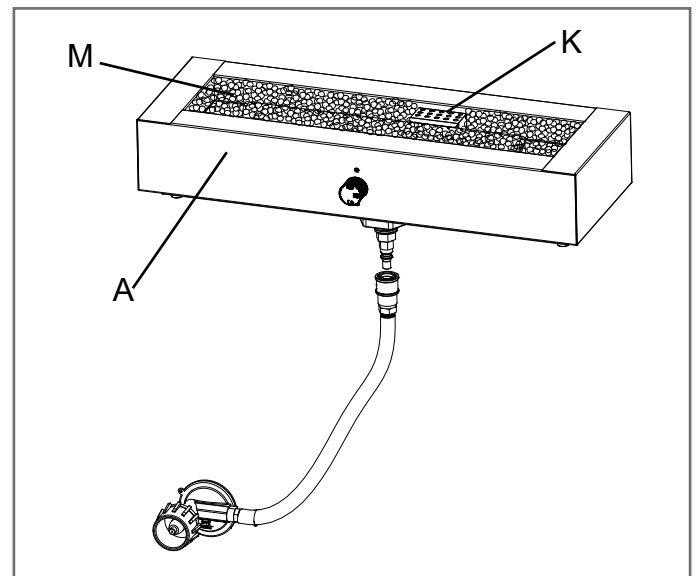


8. Pour the LavaGlass® (M) into the middle of the firebowl body (A) evenly.

**! WARNING**

To ensure proper function, the guard (K) on the burner (J) should be free of LavaGlass® (M) at all times.

Keep away from the unit and allow the unit to burn 20 minutes for the first time use. Always ensure that lava rocks/pumice stones/ LavaGlass® are completely dry before use. Failure to do so will cause them to crack or pop.





## OPERATION

Before performing a leak test, be sure that no sparks can occur and you are in a spacious outdoor area. Connect the propane gas tank to the regulator and turn the valve on the unit to the “off” position. Brush a soap and water mixture on all connections. Turn the gas supply on; if bubbles occur on any connection there may be a leak. **If you smell gas or a leak is discovered turn the gas valve off, disconnect propane gas tank and do not use the appliance until the leak is repaired.**

Do not use the heating unit without inspecting the gas hose. If there are signs of wear or abrasion you must replace the hose (if applicable). Pumice stones/lava rocks/LavaGlass<sup>®</sup> could pop up and strike somebody’s face during the process of lighting this unit; stand away from the unit for the first 20 minutes after igniting. Flame height should be a yellow/blue color between 2 - 10 inches in height.

Wait 50 minutes after extinguishing flame prior to placing a lid (if applicable) or protective cover on heating item.

### To Light

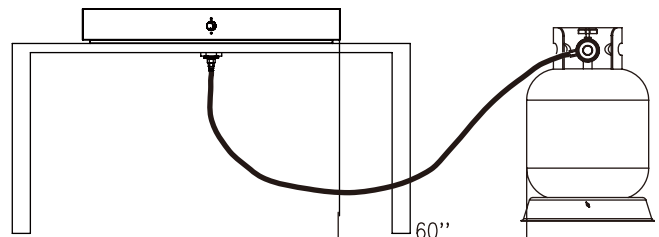
1. Turn ignition control knob (L ) to the “OFF” position. Connect propane gas tank to regulator and open the cylinder valve.
2. Push the ignition control knob (L ) in and turn counterclockwise to the “HIGH” position; this will ignite the fuel. Keep holding down the control knob for 15 seconds.
3. If ignition does NOT immediately take place in seconds, push and turn the ignition control knob (L ) clockwise to “OFF”. Wait 5 minutes, then repeat the lighting procedure as above.
4. To adjust the flame, turn the ignition control knob (L ) either clockwise or counterclockwise depending on whether you want to lower or raise the flame.

### To Extinguish

1. Push and turn the ignition control knob (L ) clockwise to the “OFF” position.
2. Turn the propane gas tank valve on the gas tank to close the gas supply and disconnect the propane gas tank.

### WARNING

Fire product and propane gas cylinder minimum distance must be over 60 inches (as per right side photo).



## MAINTENANCE

- Before performing any maintenance always disconnect propane gas tank.
- **Store your product indoors during winter months. Avoiding extreme cold temperatures will prevent from exposure damage.**
- Keep the heating item free and clear from combustible materials.
- Visually inspect burner for obstructions and keep tank enclosure free and clear from debris.
- Use a soft brush to get rid of the mild stains, loose dirt and soil after the burner and pumice stones/lava rocks/LavaGlass® are completely cooled down. Wipe down with a soft cloth.
- Harsh weather conditions may cause stubborn stains, discoloration and possibly rust pitting.
- Permanent damage may occur if powder or solvent comes in contact with painted or plastic components on this heating unit.
- Keep the heating unit stored away from direct sunlight.
- If storing this unit inside, disconnect the propane gas tank from the gas valve.
- Not using manufacturer approved or supplied parts/accessories may result in a defective condition and void the warranty of this heating unit.
- Always place lid (if applicable) or protective cover on heating item when not in use.

Problem	Cause	Solution
Heating unit won't light	Igniter pin and burner are wet	Dry off with a soft cloth
	Igniter battery is incorrectly inserted	Check which direction the battery is inserted
	Igniter pin is broken	Contact Bond Manufacturing Co., Inc. for a replacement part
	Electrode wire is loose or disconnected	Reconnect wire to the igniter box located inside the unit behind the igniter box
	Electrode wire is shorting between valve and igniter pin	Contact Bond Manufacturing Co., Inc. for a replacement part
Burner won't light while using a match	No gas flow	Check that the gas tank isn't empty
	Regulator isn't connected securely to the tank	Tighten regulator connection to the gas tank
	Gas flow is obstructed	Check all hoses for kinks and bends
	Burner ports are clogged	Turn all gas flow connections off. Insert an opened paperclip (or similar item) into each of the burner ports to clear them out.
Heating unit emits a lot of black smoke	Flame is obstructed at burner ports	Check that all burner ports are free of any small lava rocks/pumice stones/Lava-Glass® pieces
	Regulator hose is kinked	Straighten hose of all bends or kinks
Sudden drop in gas flow	No gas flow	Check that the gas tank isn't empty
	Excess flow safety valve has been activated	Turn the control knob to the 'off' position. Close the tank valve and disconnect propane gas tank. Turn the control knob to 'high'; wait 1 minute. Turn the control knob back to the 'off' position. Reconnect propane gas tank. Light the fire unit as indicated in the 'To Light' section of this manual.
Flame blows out easily	High or gusting winds	Increase flame to 'high'
	No gas flow	Check that the gas tank isn't empty
	Excess flow safety valve has been activated	See 'sudden drop in gas flow' above

## WARRANTY

This product has a one-year warranty against manufacturing defects in workmanship, or materials.

The manufacturer warranty will be voided by, and manufacturer disclaims any responsibility for, the following actions:

- Modification of the unit and/or components including the gas valve assembly.
- Use of any component part not manufactured or approved by Bond Manufacturing Co., Inc.
- Use and installation other than what is listed in this manual.

Please contact the manufacturer for replacement parts.

## CONTACT

If you have any questions or concerns, please contact Bond Manufacturing Co., Inc. at the below resources:

Toll Free Phone	1-866-771-BOND (2663)   Monday - Friday, 8am - 4:30pm PST
Email	customer.service@bondmfg.com
Online	www.bondmfg.com

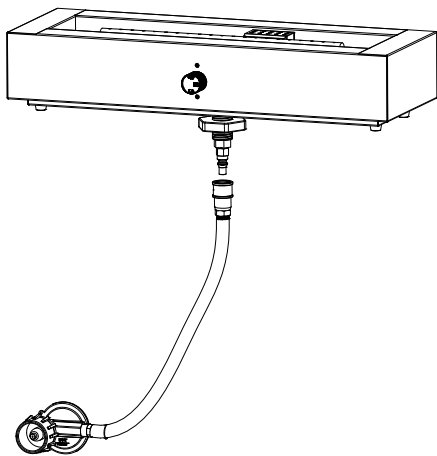




## Bol foyer au gaz TableFire<sup>®</sup>, 51cm (20 po)

No de produit 50857N

No de modèle HYUTT33001-1



Note: Une table avec un trou de parapluie (non inclus) est nécessaire pour assembler ce produit.



**DANGER**

### RISQUE D'INCENDIE OU D'EXPLOSION

Si vous sentez le gaz :

- Fermez le gaz de l'appareil.
- Éteignez toute flamme nue.
- Si l'odeur persiste, quittez immédiatement la zone.
- Après avoir quitté la zone, appelez votre fournisseur de gaz ou le service d'incendie.

Ne pas suivre ces consignes pourrait entraîner un incendie ou une explosion qui pourrait causer des dommages matériels, une blessure corporelle ou la mort.



**AVERTISSEMENT**

N'entreposez pas et n'utilisez pas d'essence ni d'autres vapeurs ou de cet appareil ou de tout autre appareil. Ne rangez pas de bouteille de propane liquide non raccordée à proximité de cet appareil ni de tout autre appareil.



**AVERTISSEMENT** : Si vous ne suivez pas exactement les informations dans ce guide, un incendie ou une explosion peut entraîner des dommages matériels, une blessure corporelle ou une perte de vie.



**AVERTISSEMENT**

Pour un usage extérieur seulement. L'installation et l'entretien doivent être effectués par un installateur qualifié, une agence d'entretien ou le fournisseur de gaz.



**AVERTISSEMENT**

Les installations, réglages, modifications, réparations ou entretiens incorrects présentent des risques de dommages corporels ou matériels. Consultez le guide d'utilisation fourni avec cet appareil. Pour obtenir de l'aide ou plus de renseignements consultez un installateur qualifié, une agence d'entretien ou le fournisseur de gaz.

#### INSTALLATEUR :

Laissez ce guide avec l'appareil.

#### CONSOMMATEUR :

Gardez ce guide pour une utilisation ultérieure.



**DANGER**



#### RISQUE LIÉ AU MONOXYDE DE CARBONE

Cet appareil peut générer du monoxyde de carbone, un gaz inodore. L'utilisation de cet appareil dans un endroit fermé pourrait causer la mort. N'utilisez jamais cet appareil dans un endroit fermé comme une caravane, une tente, une automobile ou une maison.

# RENSEIGNEMENTS SUR LA SÉCURITÉ

Avant d'assembler ou d'utiliser cette unité, veuillez lire avec soin tout ce guide. L'omission de ce processus peut entraîner un incendie, une explosion, une blessure corporelle ou la mort.

## AVERTISSEMENT

- L'installation de cette unité doit être conforme aux codes locaux ou Code de manutention et d'entreposage du gaz, CSA B149.2.
- **CETTE UNITÉ EST CONÇUE UNIQUEMENT POUR UN USAGE EN PLEIN AIR!** Ce produit doit s'utiliser en plein air, dans un espace aéré, et ne doit pas être utilisé dans un espace fermé.
- On doit utiliser cette unité uniquement avec le gaz propane! (vendu séparément)
- N'attachez pas une source externe d'alimentation en gaz à cette unité.
- Utilisez uniquement le gaz propane avec cette unité.
- Les combustibles solides ne doivent pas être brûlés dans cet appareil.
- Lors de l'allumage de cette unité, écartez-vous du brûleur, parce que la flamme s'allumera et peut entraîner une blessure.
- **MISE EN GARDE POUR LE GPL :** Ne dépassez pas une profondeur de 6,3 mm (1/4 po) de pierres de lave/pierres ponces/Lava Glass® sur les orifices du brûleur. Faire cela étouffera la flamme.
- Si une fuite dans la bouteille de gaz propane est présente, vous pourriez entendre, voir ou sentir un sifflement. Procédez comme suit : 1. Détachez la bouteille de gaz propane. 2. N'essayez pas de régler le problème vous-même. 3. Communiquez avec votre fournisseur de gaz ou le service d'incendie pour obtenir de l'aide.
- L'application de trop de propane peut entraîner une accumulation de gaz qui ne brûlera pas. Permettez l'entrée d'air frais dans l'unité pour que le gaz qui reste puisse s'échapper.
- N'utilisez pas une flamme pour vérifier s'il y a des fuites de gaz.
- Pression d'admission : 11 pouces CE. (2.74 kPa)
- Employez des bouteilles de GPL avec les dimensions suivantes : diamètre de 30,5 cm (12 po), hauteur de 45,7 cm (18 po) - capacité £ 20.
- Il faut utiliser une bouteille de propane munie d'une bague de protection du robinet de gaz.
- **NE remplissez PAS** la bouteille à un niveau supérieur à 80 %.
- Le système d'alimentation de la bouteille doit assurer le retrait de vapeur.
- Cessez l'utilisation si une partie de la bouteille de propane est endommagée. La rouille et les bosses peuvent être dangereuses et doivent être inspectées par un fournisseur de gaz.
- Ne brûlez rien d'autre que les matériaux fournis pour ce foyer de jardin.
- Écartez-vous de l'unité pendant les 20 premières minutes suivant l'allumage pour la première fois, puisque les pierres de lave/pierres ponces/Lava Glass® pourraient en sauter et provoquer une blessure. Si des pierres en sautent, jetez-les.
- Assurez-vous que les pierres de lave/pierres ponces/Lava Glass® soient complètement sèches avant l'usage. Ne pas observer cela les fera fêler ou sauter.
- N'utilisez pas l'unité jusqu'à ce que toutes les pièces soient complètement assemblées.
- Ne peignez ni teintez aucune partie de cet appareil de chauffage.
- L'unité peut être chaude pendant l'utilisation; n'essayez pas de la déplacer quand elle fonctionne.
- Ne laissez jamais cette unité de chauffage sans surveillance pendant l'usage.
- Cette unité n'est pas conçue pour la cuisson des aliments.
- Gardez tout article inflammable à l'écart et n'utilisez aucune autre housse de foyer pour cette unité.
- Tenez-vous à une distance sécuritaire pour éviter la brûlure de la peau ou des vêtements.
- N'asseyez-vous ni reposez les mains ou les pieds sur cet appareil de chauffage.

- Gardez tout article inflammable à l'écart et n'utilisez aucune autre housse de foyer pour cette unité.
- Tenez-vous à une distance sécuritaire pour éviter la brûlure de la peau ou des vêtements.
- N'asseyez-vous ni reposez les mains ou les pieds sur cet appareil de chauffage.
- Ne mettez jamais les mains ou les doigts sur la partie supérieure de cette unité pendant son usage.
- Gardez tout cordon électrique et le tuyau d'alimentation en gaz loin des surfaces chauffées.
- On ne doit pas tenir des matériaux combustibles dans une distance de moins de 1,52 m (60 po) du haut de l'unité, ou dans une distance de moins de 1,21 m (48 po) autour de l'unité en entier.
- Gardez l'appareil propre et libre de matériaux combustibles, essence et autres vapeurs et liquides inflammables.
- Si la flamme s'éteint lors du brûlage, fermez le robinet de gaz. Attendez 5 minutes avant de répéter la procédure initiale d'allumage. Quand une flamme se produit, maintenez enfoncé le bouton de commande pendant une minute.
- N'ajoutez pas d'eau dans l'unité.
- N'utilisez pas l'unité si une partie a été submergée dans l'eau. Appelez immédiatement un technicien de service qualifié pour inspecter l'appareil et remplacer toute partie du système de contrôle ou toute commande de gaz ayant été immergée.

Ne détachez aucune pièce pendant l'usage de l'unité.

- N'entrez pas une bouteille de propane de rechange sur ou à proximité de cette unité.
- Si l'appareil de chauffage est à l'intérieur, détachez la bouteille de propane et laissez-la à l'extérieur.
- N'utilisez pas cette unité dans un bateau ou véhicule. Il faut opérer cette unité UNIQUEMENT sur une surface plane à l'extérieur.
- Retirez toujours la housse protectrice avant l'utilisation (le cas échéant).
- Ne mettez pas la housse protectrice sur l'unité avant qu'elle soit arrêtée et complètement refroidie.
- Vérifiez s'il y a une fuite après des périodes prolongées de non utilisation.

**Ne permettez jamais aux enfants d'utiliser cette unité. Il faut surveiller les enfants quand ils sont à proximité de cette unité.**

- Gardez la bonbonne de gaz à une distance d'au moins 1,5 m (5 pi) de l'unité quand elle est allumée. (pour une bonbonne externe)
- Approvisionnement maximum en gaz: 250 PSI; Approvisionnement minimum en gaz: 10 PSI
- **Toute installation et toute réparation doivent se faire par un technicien d'entretien qualifié.**

**Cette unité doit être inspectée annuellement et nettoyée de façon régulière.**

- Inspectez tous les éléments de cet appareil de chauffage avant chaque usage. S'il y a des dommages, il faut remplacer le brûleur.
- Mettez le tuyau hors des chemins pour éliminer tout dommage accidentel. (pour une bonbonne externe)
- Soyez conscient des dangers des températures élevées et tenez-vous loin de l'unité pour éviter des brûlures ou blessures.
- Il faut que la bouteille de propane soit conçue et étiquetée conformément aux spécifications pour les bouteilles de GPL du U.S. Department of Transportation (DOT) ou de la Norme nationale du Canada, CAN/CSA-B 339, Bouteilles à gaz cylindriques et sphériques pour le transport des marchandises dangereuses; et commission.
- La bouteille de GPL doit être munie d'un dispositif homologué de protection contre le remplissage excessif et d'un raccord de bouteille de GPL QCCI ou de Type 1 (CGA791).
- On ne doit pas utiliser cet appareil de chauffage sur des terrasses en plastique ou en bois artificiel.
- **Il faut que les enfants et les adultes soient avertis des dangers des surfaces chaudes et qu'ils se tiennent à une distance sécuritaire afin d'éviter les brûlures ou l'inflammation des vêtements.**
- **Il faut surveiller les jeunes enfants de près quand ils sont à proximité de l'appareil.**

## RENSEIGNEMENTS SUR LA SÉCURITÉ

- On ne doit pas suspendre des vêtements ou tout autre matériel inflammable, ni les placer sur ou près de l'appareil.
- Il faut remplacer tout revêtement de protection ou autre dispositif de sécurité enlevé pour l'entretien de l'appareil avant de faire fonctionner l'appareil.
- L'installation et la réparation doivent se faire par un technicien d'entretien qualifié. L'appareil doit être inspecté par un technicien d'entretien qualifié avant l'usage et au moins une fois par an. Un nettoyage plus fréquent peut être nécessaire au besoin. Il faut garder propres le compartiment de commande, les brûleurs et les voies de circulation d'air.

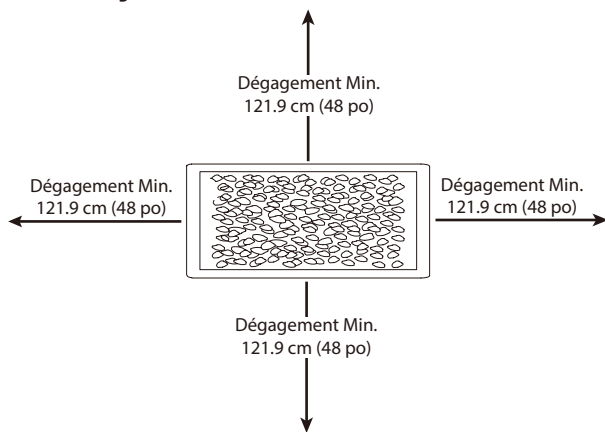
### S'IL Y A LIEU :

- Permettez le refroidissement complet de l'appareil de chauffage avant de remettre la housse.
- N'utilisez PAS l'appareil de chauffage quand la housse est en place. Retirez toujours la housse quand l'appareil de chauffage est utilisé.

Utilisez uniquement le régulateur et l'ensemble raccord-tuyau fournis avec cette unité. Les pièces de rechange doivent être fournies directement par Bond Manufacturing Co., Inc.

Inspectez le brûleur avant l'utilisation de cette unité. Si le brûleur indique des signes de dommage quelconque, n'utilisez pas l'appareil. Pour obtenir de l'aide avec la réparation ou le remplacement du brûleur ou de toute autre pièce, appelez Bond Manufacturing Co., Inc. au 1.866.771.2663.

**REMARQUE : Il vous faut suivre toutes les étapes pour assembler correctement cet appareil de chauffage. Assurez-vous que le robinet de gaz est à la position 'OFF' (arrêt) avant l'assemblage. N'essayez PAS de l'assembler sans les bons outils.**



**On ne doit pas tenir des matériaux combustibles dans une distance de moins de 1,52 m (60 po) du haut de l'unité, ou dans une distance de moins de 1,21 m (48 po) autour de l'unité en entier.**

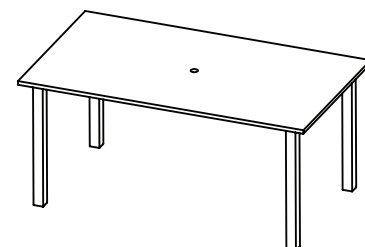
Ceci est une table de trou de parapluie (non inclus) qui avec un trou sur le dessus de la table pour assembler le produit.

Les dimensions de la table avec ouverture pour parasol doivent répondre aux exigences suivantes :

La longueur et la largeur doivent mesurer au moins 81.28 cm / 32 in.

La hauteur ne doit pas dépasser 101.6 cm / 40 in.

Le dessus de table devrait être un matériau incombustible.

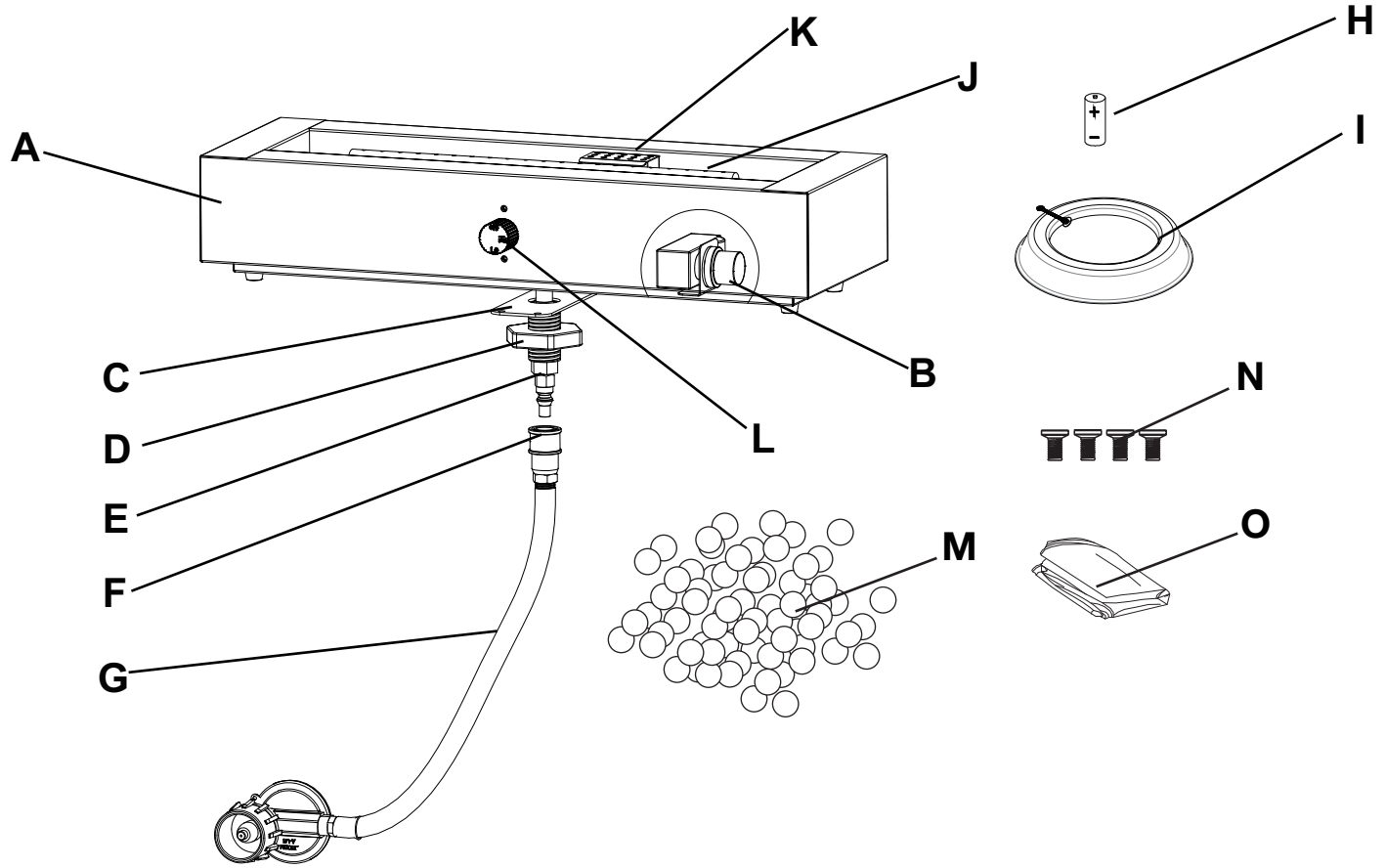


Avant de commencer l'assemblage de l'article, assurez-vous d'avoir toutes les pièces. Comparez le contenu de l'emballage avec la liste des pièces et celle de la quincaillerie incluse. Si des pièces sont manquantes ou endommagées, ne tentez pas d'assembler le produit.

**Temps d'assemblage approximatif: 20 minutes.**

Outils nécessaires pour l'assemblage (non inclus) : tournevis cruciforme.

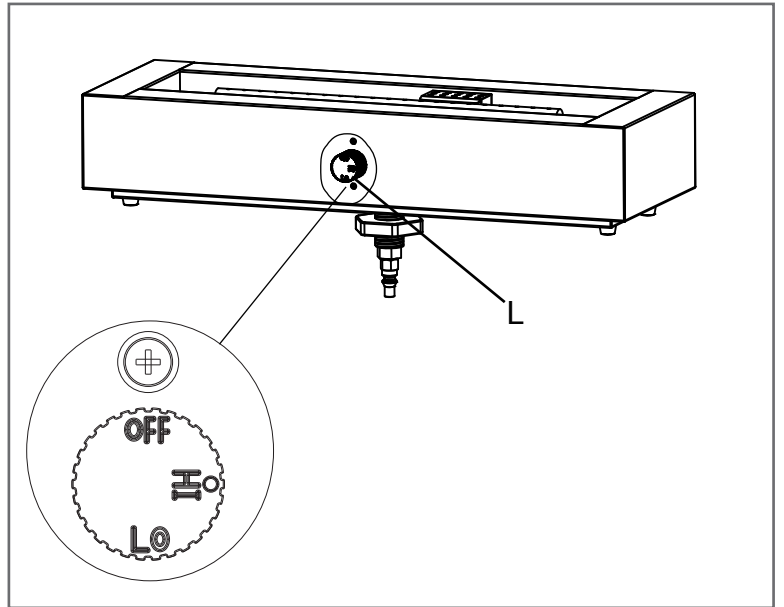




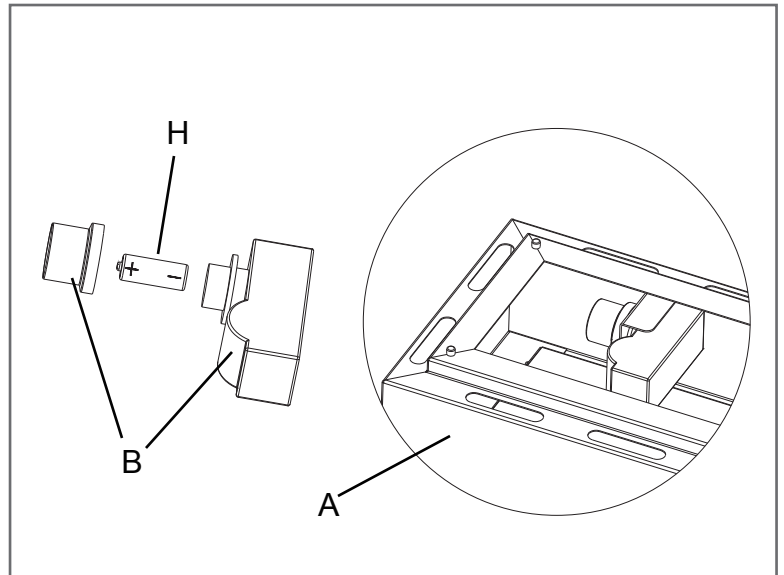
Item	Description	Qty
A	Corps encastrable du foyer	1
B	Allumeur électronique (préassemblé)	1
C	Plaque de fixation	1
D	Écrou de fixation (préassemblé)	1
E	Raccord de déconnexion rapide (extrémité mâle)	1
F	Raccord de déconnexion rapide (extrémité femelle)	1
G	Tuyau de gaz	1
H	Pile (AA)	1
I	Support de bouteille	1
J	Dispositif de protection (préassemblé)	1
K	Brûleur (préassemblé)	1
L	Bouton d'allumage (préassemblé)	1
M	LavaGlass®	1 sac (1.9kg)
N	Vis M4	4
O	Housse en PVC	1

# INSTRUCTIONS D'ASSEMBLAGE

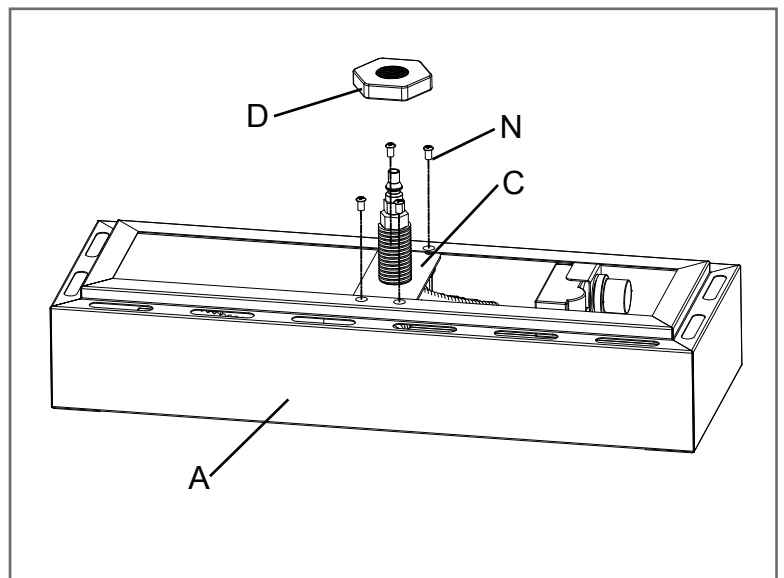
1. Vérifiez que le bouton d'allumage ( L ) du système d'alimentation en gaz est à la position 'OFF' (fermée) avant de commencer tout montage.



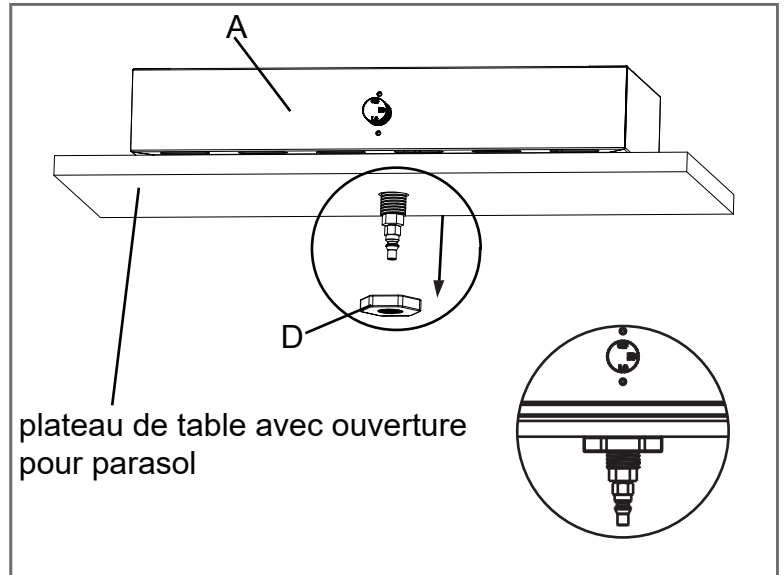
2. Mettez le foyer (A) à l'envers. Dévissez et retirez le capuchon de l'allumeur électronique (B), et insérez la pile AA (H) dans le compartiment à pile. Assurez-vous que le pôle positif est orienté vers l'extérieur. Remettez le capuchon de l'allumeur électronique sur la pile; assurez-vous de le bien fixer.



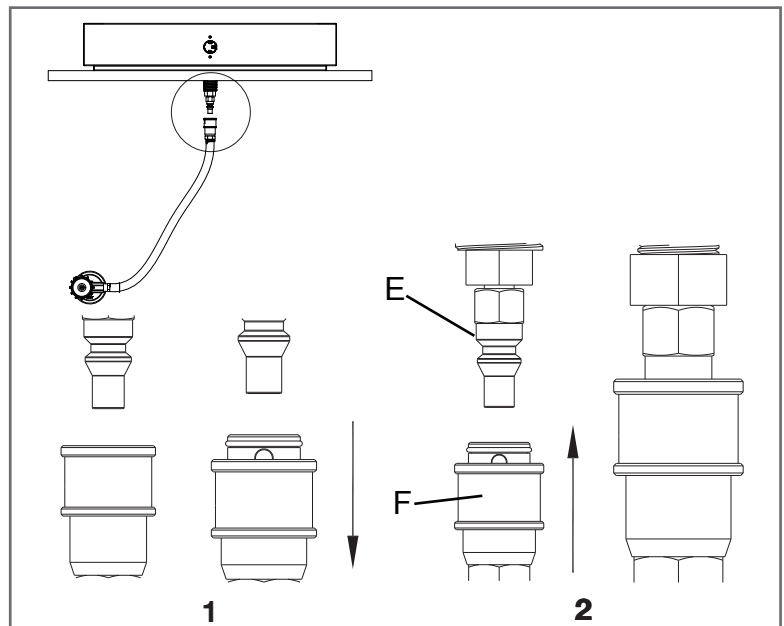
3. Dévissez et retirez l'écrou de fixation (D) de la tige filetée, et attachez la plaque de fixation (C) au fond du corps du foyer (A) utilisant 4 vis M4 (N). Assurez-vous de les bien serrer.



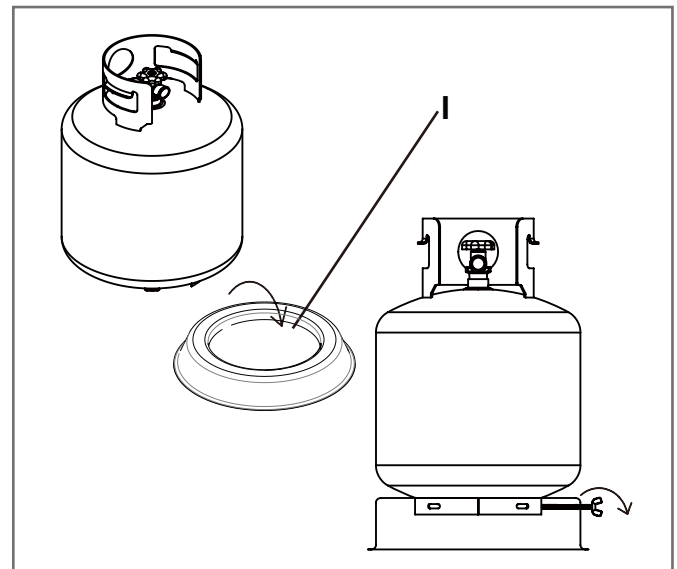
4. Insérez la tige filetée dans l'ouverture pour parasol au plateau de table pour que le fond du corps du foyer (A) s'intègre parfaitement au plateau de table. Fixez le corps du foyer (A) à la table en vissant l'écrou de fixation (D) sur la tige filetée au-dessous du plateau de table. Assurez-vous de le bien serrer.



5. Tirez en arrière le collet de l'extrémité femelle du raccord de déconnexion rapide (F) et tenez-le. Insérez l'extrémité mâle de la déconnexion rapide (E) complètement dans le raccord et relâchez le collet.



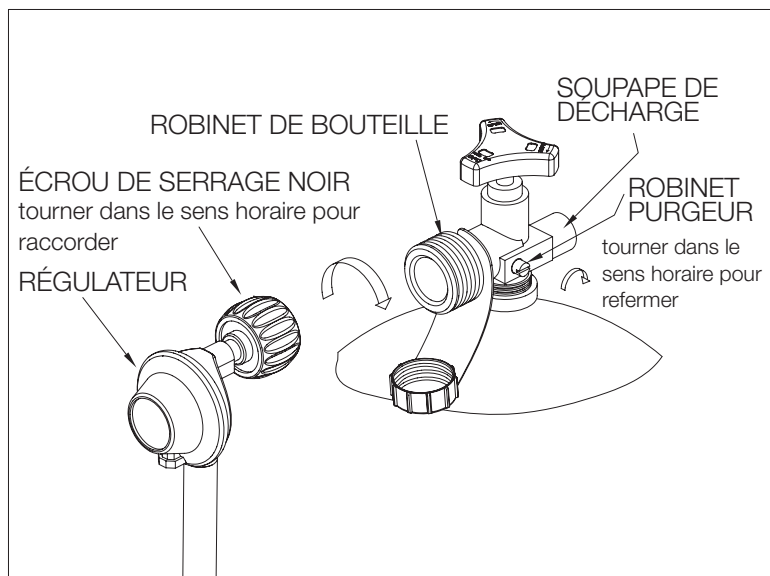
6. Placez la bouteille de propane de 9,07 kg (non incluse) sur le support à bouteille (I). Tournez la vis à oreilles située sur le support à bouteille (I) dans le sens des aiguilles d'une montre pour fixer la bouteille.



**! DANGER**

Réservoir de propane doit être un minimum de 152,4 cm (60 pouces) de distance à tout moment.

7. Tournez le robinet de la bouteille de propane dans le sens des aiguilles d'une montre pour fermer l'alimentation en gaz. Fixez le régulateur préassemblé au tuyau (I) au robinet de la bouteille en tournant l'écrou d'accouplement du régulateur à la main dans le sens des aiguilles d'une montre. Assurez-vous qu'il est solidement fixé.



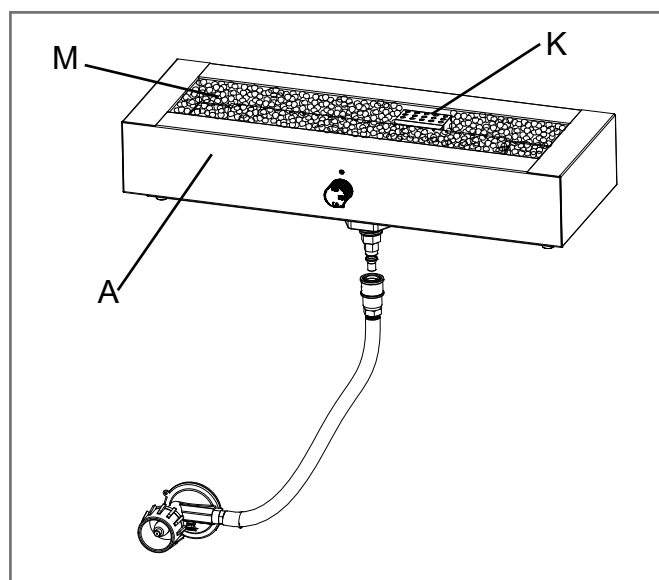
8. Versez le LavaGlass® (M) uniformément sur la partie centrale du foyer (A).

**! WARNING**

Pour assurer un bon fonctionnement el dispositif de protection (K) du brûleur (J) doit être libre du LavaGlass® (M) en tout temps.

Écartez-vous de l'unité et laissez-la brûler pendant 20 minutes pour la première utilisation.

Assurez-vous que les pierres de lave/pierres ponces/ LavaGlass® soient complètement sèches avant l'usage. Ne pas observer cela les fera fêler ou sauter.



## FONCTIONNEMENT

Avant de faire un essai d'étanchéité, assurez-vous qu'aucune étincelle ne peut se produire et que vous êtes dans un grand espace extérieur. Raccordez la bouteille de gaz propane au régulateur et tournez le robinet de l'unité à la position 'off'. Brossez une solution d'eau savonneuse sur tous les raccords. Ouvrez l'alimentation en gaz; si des bulles se produisent sur un raccord quelconque, il y a possiblement une fuite. **Si vous sentez l'odeur de gaz ou découvrez une fuite, fermez le robinet de gaz, détachez la bouteille de gaz propane et n'utilisez pas l'appareil jusqu'à ce que la fuite soit réparée.**

N'utilisez pas l'appareil de chauffage sans avoir inspecté le tuyau d'alimentation. Si il ya des signes d'usure ou à l'abrasion vous devez remplacer le tuyau (le cas échéant). Les pierres ponces/pierres de lave/LavaGlass<sup>®</sup> pourraient sauter et frapper quelqu'un au visage lors de la procédure d'allumage de cette unité; tenez-vous écarté de l'unité pendant les 20 premières minutes suivant l'allumage. La flamme doit être jaune/bleue et d'une hauteur de 5 à 25 cm (2 à 10 pouces).

Attendez 50 minutes après avoir éteint la flamme avant de placer un couvercle (le cas échéant) ou une housse protectrice sur l'appareil de chauffage.

### **Pour allumer**

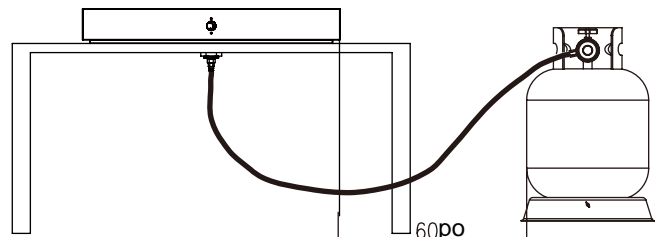
1. Tournez le bouton d'allumage (L) à la position 'OFF' (arrêt). Raccordez la bouteille de gaz propane au régulateur et ouvrez le robinet de la bouteille.
2. Enfoncez le bouton d'allumage (L) et tournez-le dans le sens antihoraire à la position 'HIGH' (haut); cela allumera le combustible. Maintenez appuyé le bouton de commande pendant 15 secondes.
3. Si l'allumage ne se produit pas immédiatement dans quelques secondes, enfoncez et tournez le bouton d'allumage (L) dans le sens horaire à la position 'OFF'. Espérez 5 minutes, et répétez la procédure d'allumage ci-dessus.
4. Pour ajuster la flamme, tournez le bouton d'allumage (L) dans le sens horaire ou antihoraire, dépendant du désir de lever ou abaisser le niveau de la flamme.

### **Pour éteindre**

1. Poussez et tournez le bouton d'allumage (L) dans le sens horaire à la position 'OFF' (arrêt).
2. Fermez l'alimentation en gaz au robinet de la bouteille de gaz; déconnectez la bouteille de propane.

## AVERTISSEMENT

L'espace libre minimum du foyer et de la bouteille de propane doit être supérieur à 60 po (150 cm)(comme illustré à droite de l'image).



- Avant d'effectuer des travaux d'entretien, détachez toujours la bouteille de gaz propane.
- **Rangez votre produit à l'intérieur pendant les mois d'hiver. Éviter les températures extrêmement froides empêchera les dommages dus à l'exposition.**
- Gardez l'appareil de chauffage dégagé de matériaux combustibles.
- Inspectez visuellement le brûleur pour des obstructions, et gardez l'enceinte de la bouteille dégagée de débris.
- Utilisez une brosse souple pour éliminer les taches, la poussière et la saleté après que le brûleur et les pierres ponces/pierres de lave/Lava Glass® seront complètement refroidis. Essuyez avec un chiffon doux.
- Les conditions sévères extérieures peuvent provoquer des taches coriaces, la décoloration et possiblement des piqûres de corrosion.
- Des dommages permanents peuvent se produire si une poudre ou un dissolvant entre en contact avec les composants peints ou en plastique de cet appareil de chauffage.
- Entrez l'appareil de chauffage loin des rayons directs du soleil.
- Pour l'entreposage de cette unité à l'intérieur, détachez la bouteille de gaz propane du robinet.
- Ne pas utiliser des pièces et accessoires approuvés ou fournis par le fabricant peut entraîner un état défectueux et annuler la garantie de cet appareil de chauffage.
- Posez toujours le couvercle (le cas échéant) ou la housse protectrice sur l'appareil de chauffage quand il n'est pas utilisé.

Problème	Cause	Solution
L'appareil de chauffage ne s'allume pas	La tige d'allumage et le brûleur sont humides	Essuyez avec un chiffon doux
	La pile de l'allumeur est incorrectement insérée	Vérifiez l'orientation dans laquelle la pile est insérée
	La tige d'allumage est cassée	Appelez Bond Manufacturing Co.,Inc. pour obtenir une pièce de rechange
	Un fil d'électrode est desserré ou déconnecté	Connectez le fil de nouveau au compartiment d'allumage situé à l'intérieur du foyer derrière le compartiment d'allumage
	Un fil d'électrode court-circuite entre le robinet et la tige d'allumage	Appelez Bond Manufacturing Co.,Inc. pour obtenir une pièce de rechange
Le brûleur ne s'allume pas quand on utilise une allumette	Aucun écoulement de gaz	Vérifiez si la bouteille de gaz est vide
	Le régulateur n'est pas bien raccordé à la bouteille	Serrez le raccordement du régulateur à la bouteille de gaz
	L'écoulement de gaz est obstrué	Vérifiez tous les tuyaux pour voir s'ils sont croches ou tordus
	Les orifices du brûleur sont bouchés	Fermez tous les raccordements d'écoulement de gaz. Insérez un trombone ouvert (ou un article semblable dans chaque orifice du brûleur pour les nettoyer
L'appareil émet beaucoup de fumée noire	La flamme est obstruée aux orifices du brûleur	Assurez-vous que tous les orifices du brûleur sont dégagés de toute pierre de lave/pierre ponce/LavaGlass®
	Le tuyau du régulateur est pincé	Éliminez toute courbe ou boucle du tuyau
Une chute soudaine du débit de gaz	Aucun écoulement de gaz	Vérifiez si la bouteille de gaz est vide
	La soupape de sécurité contre l'écoulement excessif a été activée	Tournez le bouton de commande sur la position 'off'. Fermez le robinet de la bouteille et détachez la bouteille de gaz propane. Tournez le bouton de commande sur la position 'high'; attendez une minute. Tournez le bouton de commande de nouveau sur la position 'off'. Raccordez de nouveau la bouteille de gaz propane. Allumez le foyer tel qu'indiqué dans la section « Pour allumer » e ce guide
La flamme s'éteint facilement	Des vents forts ou violents	Augmentez la flamme à 'high'
	Aucun écoulement de gaz	Vérifiez si la bouteille de gaz est vide
	La soupape de sécurité contre l'écoulement excessif a été activée	Voir « Une chute soudaine du débit de gaz » ci-dessus

## GARANTIE

Ce produit est accompagné d'une garantie d'un an contre tout défaut de matériaux ou de fabrication.

La garantie du fabricant sera annulée par le fabricant, et le fabricant décline toute responsabilité pour les actions suivantes :

- Modification de l'unité et (ou) de ses composants, y compris le système d'alimentation en gaz.
- Emploi d'un composant non fabriqué ou approuvé par Bond Manufacturing Co., Inc.
- Utilisation et installation autrement que selon les instructions de ce guide.

Veuillez contacter le fabricant pour obtenir des pièces de rechange.

## POUR NOUS REJOINDRE

Pour toute question ou préoccupation, veuillez communiquer avec Bond Manufacturing Co., Inc. aux ressources ci-dessous:

Téléphone sans frais	1 866 771-BOND(2663) du lundi au vendredi, de 8 h à 16 h 30 HNP
Courriel	customer.service@bondmfg.com
En ligne	www.bondmfg.com



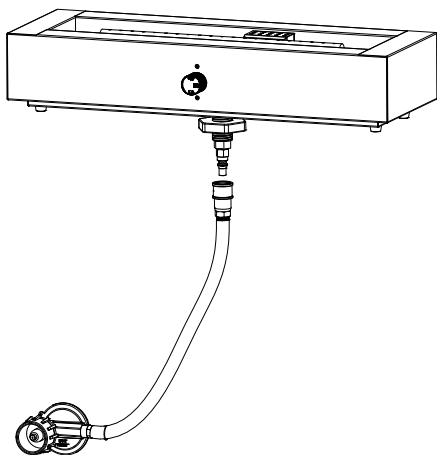




# Bol de Fuego a Gas TableFire<sup>®</sup>, 51 cm ( 20 pulg)

No. de artículo 50857N

No. de modelo HYUTT33001-1



Nota: Una mesa con un agujero del paraguas (no incluido) se requiere para ensamblar este producto.



## PELIGRO RIESGO DE FUEGO O EXPLOSIÓN

Si huele gas:

- Apague el gas al aparato.
- Apague cualquier flama abierta.
- Si el olor continúa, deje el área de inmediato.
- Después de salir del área, llame a su proveedor de gas o departamento de bomberos.

La falla en seguir estas instrucciones podría resultar en incendio o explosión, lo que podría causar daño a la



**ADVERTENCIA**  
No almacene, ni use gasolina ni otros vapores o líquidos inflamables cerca de este ni de ningún otro electrodoméstico. No deben almacenarse cilindros de gas propano líquido que no estén conectados para utilizarse cerca de este ni de ningún otro electrodoméstico.



## ADVERTENCIA

Si no se sigue con exactitud la información de este manual, puede resultar en un incendio o explosión que cause daño a la propiedad, lesiones personales, o pérdida de la vida.



## ADVERTENCIA: Solo para uso en exteriores.

La instalación y servicio deben ser realizados por un instalador calificado, una agencia de servicio, o el proveedor de gas.



## ADVERTENCIA

Una instalación, ajuste, alteración, servicio o mantenimiento indebido puede causar daño corporal o de propiedad. Lea atentamente el manual del usuario antes de instalar o hacerle cualquier tipo de mantenimiento a este equipo. Si no se sigue la información de este manual exactamente al pie de la letra, un incendio o una explosión puede resultar causando daño de propiedad, daño corporal o muerte.

**INSTALADOR:** Deje este manual con el aparato.

**CONSUMIDOR:** Conserve este manual para futura referencia.



## PELIGRO



## PELIGRO DE MONÓXIDO DE CARBONO

Este electrodoméstico puede producir monóxido de carbono, el cual no produce olor. Su uso en espacios cerrados puede ser fatal. Nunca use este electrodoméstico en un espacio cerrado, como dentro de remolques, carpas, automóviles o casas.



# INFORMACIÓN DE SEGURIDAD

Antes de montar o de utilizar este aparato, lea todo este manual detenidamente. El no hacerlo puede causar un incendio, una explosión, una herida o la muerte.

## ADVERTENCIA

- La instalación de este aparato debe cumplir con los códigos locales o con el Código de almacenamiento y manejo de propano, CSA B149.2.
- ¡ESTE APARATO ESTÁ DISEÑADO ÚNICAMENTE PARA EL USO EN EXTERIORES! Este producto debe utilizarse al aire libre, en un espacio ventilado, y no debe utilizarse en cualquier área cerrada.
- ¡Se debe utilizar este aparato únicamente con el gas propano! (en venta por separado)
- No conecte un suministro de gas remoto a este aparato.
- Utilice únicamente el gas propano con este aparato.
- No utilice cualquier combustible sólido o carbón en este aparato.
- Durante el encendido de este aparato, aléjese del quemador, porque la llama se encenderá y puede provocar lesiones.
- ADVERTENCIA DEL GAS LP: No supere una profundidad de 6.3 mm (1/4 pulg.) de rocas de lava/ piedras pómez/Lava Glass® en los orificios del quemador. El hacerlo sofocará la llama.
- Si una fuga en el tanque de gas propano está presente, es posible que escuche, vea o huelga un silbido. Haga lo siguiente: 1. Desconecte el tanque de gas propano. 2. No intente solucionar el problema usted mismo. 3. Póngase en contacto con su proveedor de gas o el departamento de bomberos para obtener ayuda.
- Aplicar demasiado propano puede provocar una acumulación de gas, lo cual no quemará. Permita la entrada de aire fresco en el aparato para que el gas restante pueda escapar.
- No utilice una llama para verificar que no haya fugas de gas.
- Presión del Colector: 11 pulgadas w.c. (2.74 kPa).
- Utilice tanques de propano LP con las dimensiones siguientes: diámetro de 30.5 cm (12 pulg.), altura de 45.7 cm (18 pulg.) - capacidad de 20 libras.
- Hay que utilizar un tanque de propano con un cuello para proteger la válvula del tanque.
- NO llene el tanque a un nivel más de 80%.
- El sistema de suministro del tanque debe estar diseñado para la extracción de vapor.
- Descontinúe el uso si una parte del tanque de propano está dañada. La corrosión y las abolladuras pueden ser peligrosas y se deben revisar por un proveedor de gas.
- No queme otra cosa que los materiales proporcionados para esta mesa con chimenea.
- Aléjese del aparato durante los 20 primeros minutos después del encendido por primera vez, porque las rocas de lava/ piedras pómez/Lava Glass® podrían saltar y provocar lesiones. Si algunas piedras saltan afuera, deséchelas.
- Siempre asegúrese de que las rocas de lava/ piedras pómez/Lava Glass® estén completamente secas antes del uso. El no hacerlo puede rajarlas o hacer que salten.
- No utilice el aparato hasta que todas las piezas estén completamente montadas.
- No pinte ni coloree ninguna parte de este aparato de calefacción.
- El aparato puede estar caliente al usarlo; no intente moverlo mientras esté en uso.
- Nunca deje este aparato de calefacción sin vigilancia durante el uso.
- Este aparato no está diseñado para cocinar.
- Mantenga los artículos inflamables lejos y no utilice otra funda de chimenea para este aparato.
- Manténgase a una distancia segura para evitar la quema de la piel o de la ropa.
- No se siente ni descanse las manos o los pies en este aparato de calefacción.
- Nunca ponga las manos o los dedos en la parte superior de este aparato durante el uso.

- Manténgase a una distancia segura para evitar la quema de la piel o de la ropa.
- No se siente ni descanse las manos o los pies en este aparato de calefacción.
- Nunca ponga las manos o los dedos en la parte superior de este aparato durante el uso.
- Mantenga los cables eléctricos y la manguera de suministro de gas alejados de superficies calentadas.
- Materiales combustibles deberían situarse a una distancia mínima de 1.52 m (60 pulg.) de la parte superior del aparato, o de 1.21 m (48 pulg.) alrededor del aparato entero.
- Mantenga el área del aparato despejada y libre de materiales combustibles , gasolina y otros vapores y líquidos inflamables.
- Si la llama se apaga al quemar, apague la válvula de gas. Espere 5 minutos antes de repetir el proceso inicial de encendido. Una vez una llama se produce, mantenga oprimido el botón de control durante un minuto.
- No eche agua al aparato.
- No utilice este aparato si cualquier parte ha sido sumergida en agua. Llame de inmediato a un técnico en mantenimiento calificado a fin de que inspeccione el electrodoméstico y reemplace cualquier pieza del sistema de control y cualquier control de gas que haya estado bajo agua.
- No desconecte ninguna pieza durante el uso del aparato.
- No almacene un tanque de propano de recambio encima o cerca de este aparato.
- Si el aparato de calefacción está en interiores, desconecte el tanque de propano y déjelo afuera.
- No utilice este aparato en un vehículo o barco. Hay que utilizar este aparato ÚNICAMENTE en terreno plano afuera.
- Retire siempre la funda protectora antes del uso (si procede).
- No ponga la funda protectora sobre el aparato hasta que esté apagado y completamente enfriado.
- Realice un ensayo de fugas después de períodos largos sin uso.
- **Los niños nunca deben usar este aparato. Se debe vigilar a los niños cuando están cerca de este aparato.**
- Mantenga el tanque de gas a una distancia mínima de 1.5 m (5 pies) del aparato cuando está encendido. (para un tanque externo)
- Suministro máximo de gas: 250 PSI; Suministro mínimo de gas: 10 PSI.
- **La instalación y los arreglos se deben efectuar solamente por un técnico de servicio calificado. Se debe revisar este aparato una vez al año y limpiarlo regularmente.**
- Revise todos los elementos de este aparato de calefacción antes de cada uso. Si hay daño, hay que reemplazar el quemador.
- Coloque la manguera fuera de senderos para eliminar daños accidentales. (para un tanque externo)
- Tenga en cuenta los peligros de temperaturas elevadas y manténgase fuera del aparato para evitar quemaduras o lesiones.
- El tanque de propano debe ser fabricado y marcado según las especificaciones para tanques de gas LP del U.S. Department of Transportación (DOT) o de la Norma nacional de Canadá, CAN/CSA-B 339, Cilindros de gas, esferas y tubos para el transporte de mercancías peligrosas; y comisión.
- El tanque de gas LP debe tener un dispositivo homologado de protección contra el sobrellenado y una conexión QCCI o de Tipo 1 (CGA791) para tanque de gas LP.
- No se debe utilizar este aparato de calefacción sobre plataformas de plástico o de madera artificial.
- **Los niños y los adultos deben mantenerse alertas a los peligros de las temperaturas altas de superficie y mantener una distancia prudente para evitar quemaduras o incendio de ropa.**
- **Se debe vigilar con mucho cuidado a los niños pequeños cuando están cerca al aparato.**
- **No se debe colgar ropa u otros materiales inflamables del aparato ni puestos encima o cerca del aparato.**
- **Se debe reemplazar cualquier dispositivo de protección que se haya quitado para el servicio del aparato antes de usarlo.**

## INFORMACIÓN DE SEGURIDAD

- La instalación y los arreglos se deben efectuar solamente por una persona de servicio titulada. Se debe revisar el aparato antes de usarlo y por lo menos una vez al año por una persona de servicio titulada. Puede requerirse limpieza frecuente. Es imperativo que el compartimiento de control, quemadores y pasajes de circulación de aire del aparato se mantengan limpios

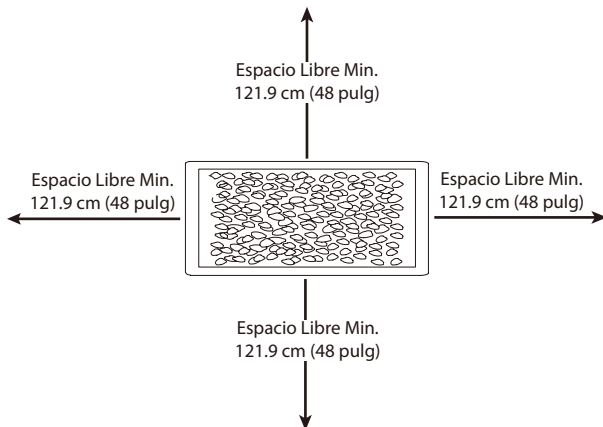
### SI PROCEDE:

- Deje que se enfríe completamente el aparato de calefacción antes de poner la funda.
- NO utilice el aparato de calefacción cuando la funda está instalada. Retire siempre la funda cuando el aparato de calefacción se usa.

Utilice únicamente el regulador y el ensamblaje de manguera provistos con este aparato. Las piezas de repuesto deben ser proporcionadas directamente por Bond Manufacturing Co., Inc.

Revise el quemador antes del uso de este aparato. Si el quemador presenta daños de cualquier tipo, no utilice el aparato. Para obtener ayuda con la reparación o el reemplazo del quemador o de cualquier otra pieza, comuníquese con Bond Manufacturing al 1.866.771.2663.

**NOTA: Tiene que seguir todos los pasos para montar correctamente este aparato de calefacción. Asegúrese de que la válvula de gas esté en la posición 'OFF' antes del montaje. NO intente montarlo sin las herramientas adecuadas.**



**Materiales combustibles deberían situarse a una distancia mínima de 1.52 m (60 pulg.) de la parte superior del aparato, o de 1.21 m (48 pulg.) alrededor del aparato entero.**

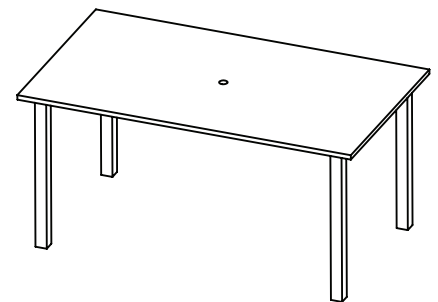
Esta es una tabla de agujeros paraguas (no incluido) que con un agujero en la parte superior de la mesa de montar el producto.

Las dimensiones de la mesa con apertura para sombrilla deberán cumplir los siguientes requisitos:

La longitud y la anchura deben medir al menos 81.28 cm / 32 in.

La altura no debe ser más de 101.6 cm / 40 in.

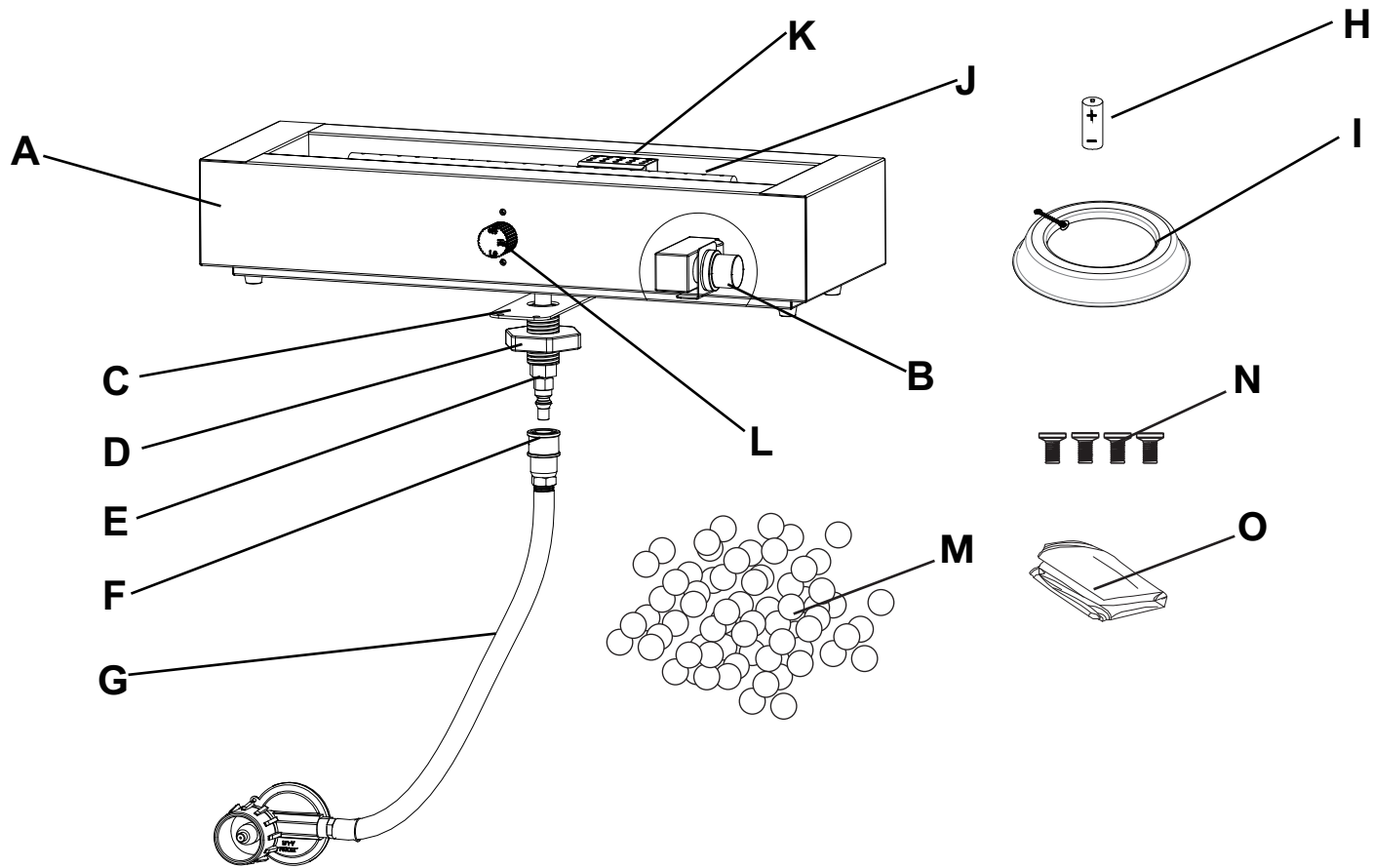
La mesa debe ser material incombustible.



Antes de comenzar a ensamblar el producto, asegúrese de tener todas las piezas. Compare las piezas con la lista del contenido del paquete y la de aditamentos. No intente ensamblar el producto si faltan piezas o si estas están dañadas.

**Tiempo estimado de ensamblaje: 20 minutos**

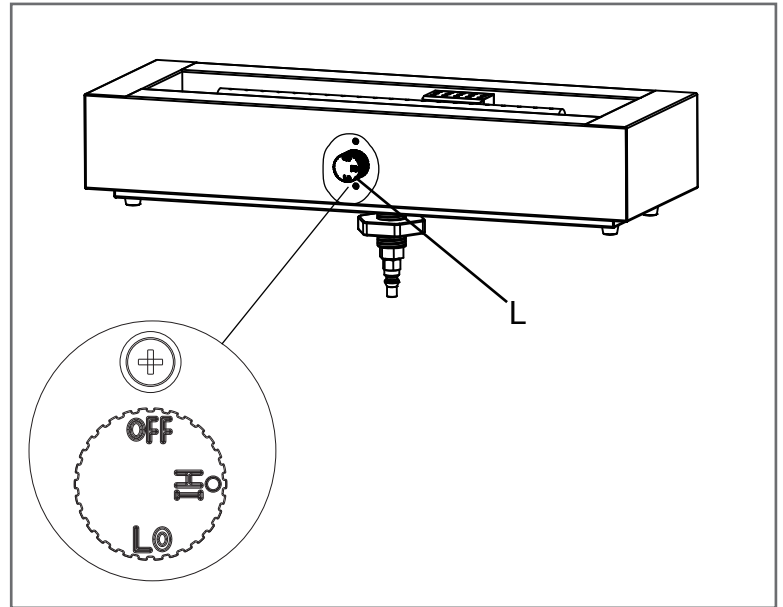
Herramientas necesarias para el ensamblaje (no incluido): Destornillador Phillips.



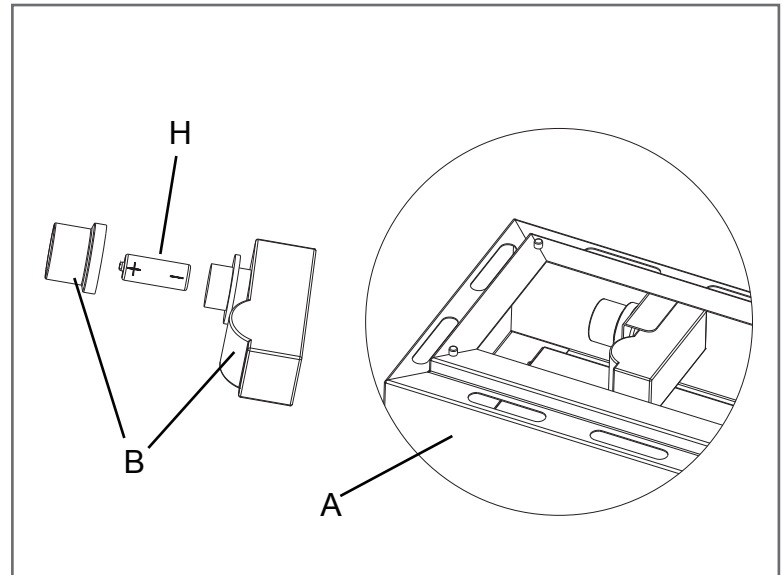
Artículo	Descripción	Cant.
A	Cuerpo del fogón	1
B	Encendedor electrónico (premontado)	1
C	Placa de fijación	1
D	Tuerca de fijación (premontada)	1
E	Racor de desconexión rápida (extremo macho)	1
F	Racor de desconexión rápida (extremo hembra)	1
G	Manguera de gas y regulador	1
H	Pila (AA)	1
I	Soporte de tanque	1
J	Dispositivo de seguridad (premontado)	1
K	Quemador (premontado)	1
L	Perilla de encendido (premontada)	1
M	LavaGlass®	1 bolso(1.9kg)
N	Tornillo M4	4
O	Funda de PVC	1

# INSTRUCCIONES DE MONTAJE

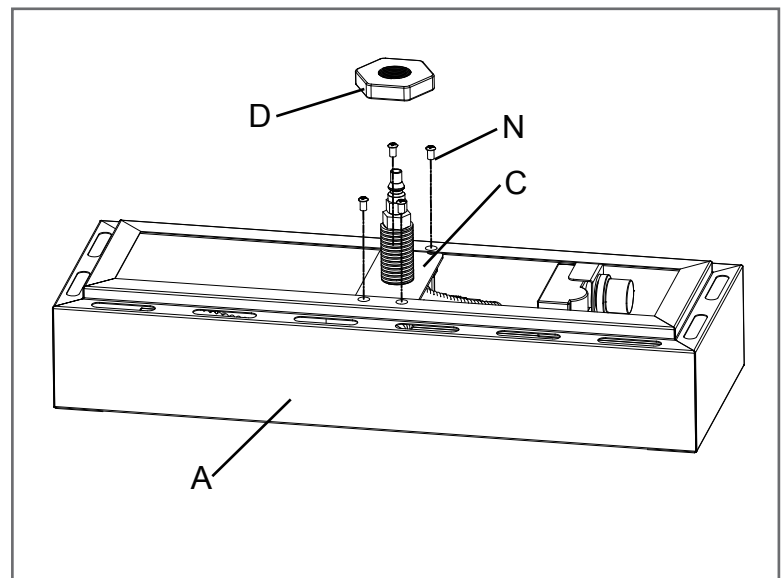
1. Verifique que la perilla de encendido (N) del sistema de suministro de gas esté en la posición 'OFF' (apagado) antes de empezar cualquier montaje.



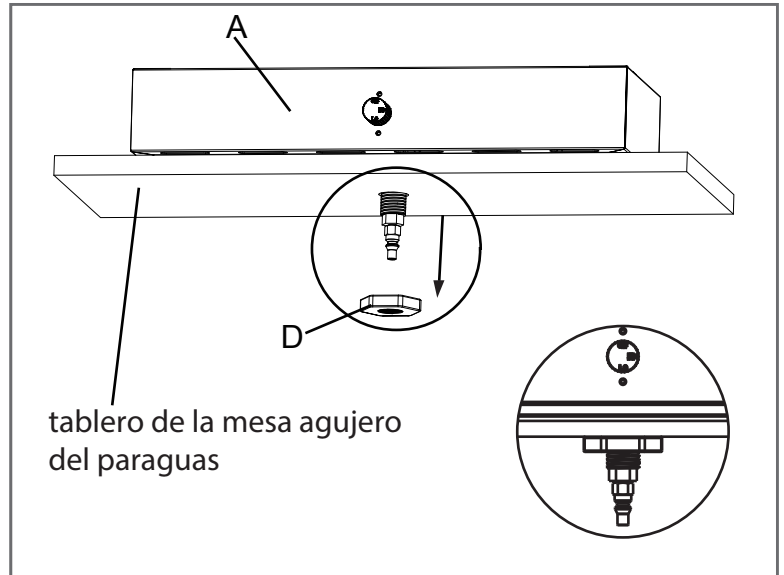
2. Coloque el fogón (A) al revés. Destornille y retire el capuchón del encendedor electrónico (B), e inserte la pila AA (H) en la caja de pila. Asegúrese de que el polo positivo esté orientado hacia el exterior. Vuelva a colocar el capuchón del encendedor electrónico en la pila; asegúrese de bien fijarlo.



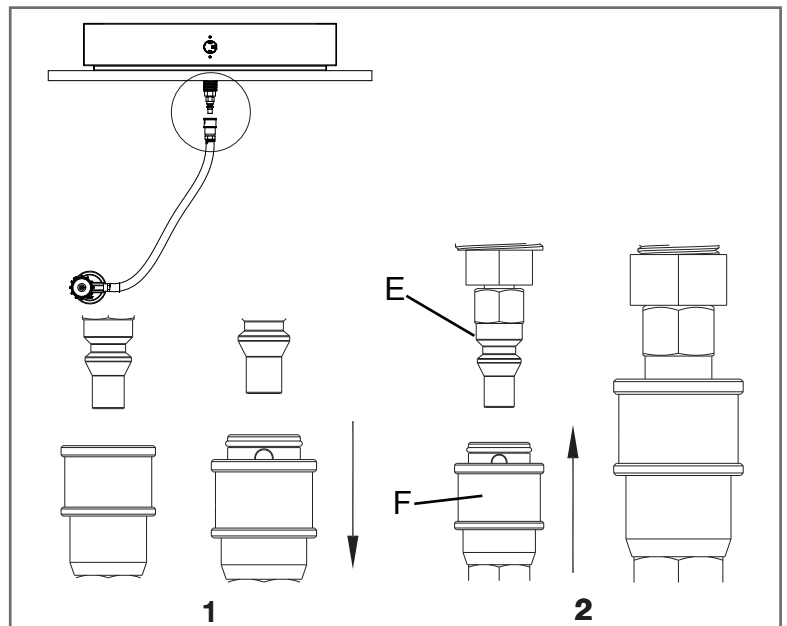
3. Destornille y retire la tuerca de fijación (D) de la varilla roscada, y sujete la placa de fijación (C) al fondo del cuerpo del fogón (A) utilizando 4 tornillos M4 (N). Asegúrese de bien fijarlos.



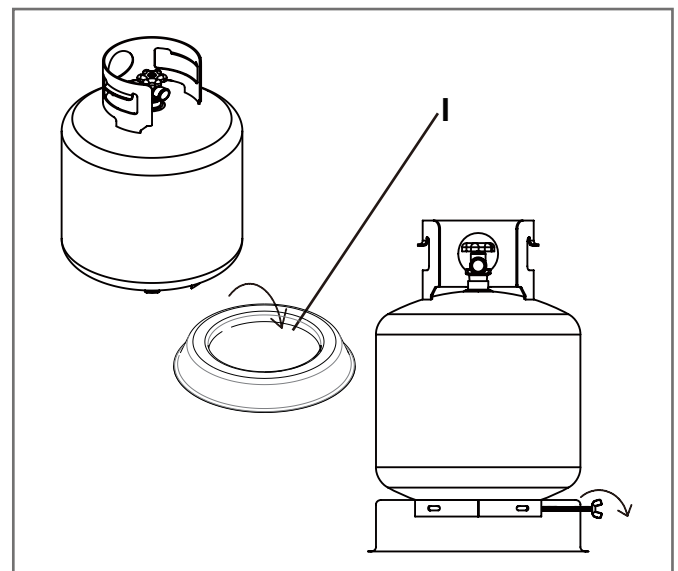
4. Inserte la varilla roscada en la apertura para sombrilla del tablero de mesa para que el fondo del cuerpo del fogón (A) se sitúe al nivel del tablero de mesa. Sujete el cuerpo del fogón (A) a la mesa atornillando la tuerca de fijación (D) en la varilla roscada debajo del tablero de mesa. Asegúrese de bien fijarla.



5. Tire hacia atrás el collarín del extremo hembra del racor de desconexión rápida (F) y manténgalo. Inserte el extremo macho de la desconexión rápida (E) completamente en el racor y suelte el collarín.



6. Placez la bouteille de propane de 9,07 kg (non incluse) sur le support à bouteille (I). Tournez la vis à oreilles située sur le support à bouteille (I) dans le sens des aiguilles d'une montre pour fixer la bouteille.



**! ADVERTENCIA**

La distancia mínima del cilindro de gas propano y bol de fuego debe ser superior a 60 pulg.

8. Tournez le robinet de la bouteille de propane dans le sens des aiguilles d'une montre pour fermer l'alimentation en gaz. Fixez le régulateur préassemblé au tuyau (I) au robinet de la bouteille en tournant l'écrou d'accouplement du régulateur à la main dans le sens des aiguilles d'une montre. Assurez-vous qu'il est solidement fixé.

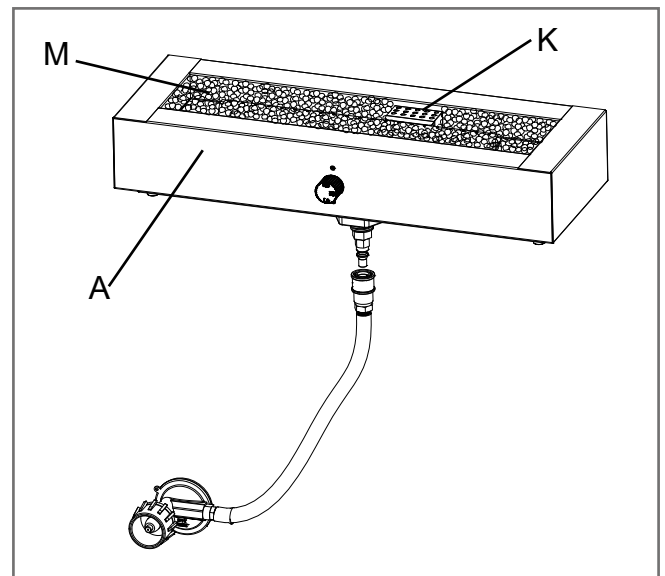


9. Vierta el LavaGlass® (M) de manera uniforme sobre la parte central del cuerpo del fogón (A).

**! WARNING**

Para asegurar un funcionamiento adecuado el dispositivo de seguridad (K) del quemador (J) debe ser libre del LavaGlass® (M) en todo momento.

Manténgase lejos de la unidad y déjela quemar durante 20 minutos en la primera utilización. Siempre asegúrese de que las rocas de lava/ piedras pómez/LavaGlass® estén completamente secas antes del uso. El no hacerlo puede rajarlas o hacer que salten.





## FUNCIONAMIENTO

Antes de realizar un ensayo de fugas, asegúrese de que ninguna chispa pueda producirse y que usted esté en un espacio exterior amplio. Conecte el tanque de gas propano al regulador y gire la válvula del aparato a la posición 'off'. Aplique con cepillo una mezcla de agua jabonosa en todas las conexiones. Abra el suministro de gas; si burbujas se producen en cualquier conexión, puede haber una fuga. **Si huele a gas o encuentra una fuga, cierre la válvula de gas, desconecte el tanque de gas propano y no utilice el aparato hasta que se repare la fuga.**

No utilice el aparato de calefacción sin revisar la manguera de gas. Si hay signos de desgaste o abrasión debe reemplazar la manguera (si procede). Las piedras pómez/rocas de lava/Lava Glass® podrían saltar y golpear la cara de alguien durante el proceso de encendido de este aparato; aléjese del aparato durante los 20 primeros minutos después del encendido. La llama debe ser amarilla/azul y de una altura de 5-25 cm (2-10 pulgadas).

Espere 50 minutos después de apagar la llama antes de colocar una cubierta (si procede) o una funda protectora encima del aparato de calefacción.

### Para encender

1. Gire la perilla de encendido (L) a la posición 'OFF' (apagado). Conecte el tanque de gas propano al regulador y abra la válvula del tanque.
2. Presione la perilla de encendido (L) y gírela en sentido antihorario a la posición 'HIGH' (alto); esto encenderá el combustible. Mantenga oprimida la perilla de encendido durante 15 segundos.
3. Si el encendido no se produce inmediatamente en algunos segundos, presione y gire la perilla de encendido (L) a la posición 'OFF'. Espere 5 minutos y repita el procedimiento de encendido anterior.
4. Para ajustar la llama, gire la perilla de encendido (L) en sentido horario o antihorario, dependiente de si desea aumentar o reducir la llama.

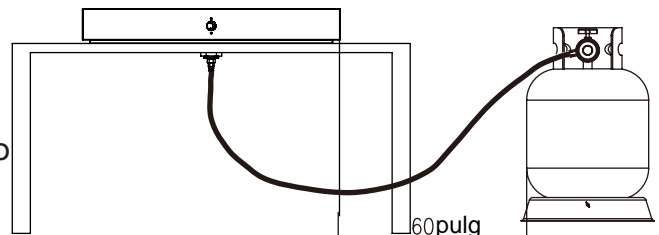
### Para apagar

1. Gire y presione la perilla de encendido (L) en sentido horario a la posición 'OFF'.
2. Apague el suministro de gas a la válvula de la bombona de gas; desconecte el tanque de propano.



### ADVERTENCIA

La distancia mínima del cilindro de gas propano y bol de fuego debe ser superior a 60pulg (según foto de la derecha.)



## MANTENIMIENTO

- Antes de hacer cualquier mantenimiento, desconecte siempre el tanque de gas propano.
- **Almacene su producto en interiores durante los meses de invierno. El evitar las temperaturas extremas evitará daños resultantes de la exposición.**
- Mantenga el aparato de calefacción despejado y libre de materiales combustibles.
- Visualmente revise el quemador para obstrucciones, y mantenga el encerramiento del tanque despejado y libre de residuos.
- Utilice un cepillo suave para deshacerse de manchas pequeñas, suciedad y polvo cuando el quemador y las piedras pómez/rocas de lava/Lava Glass® se hayan enfriados totalmente. Limpie con un trapo suave.
- Severas condiciones climáticas pueden provocar manchas rebeldes, descoloración y posiblemente agujeros por el óxido.
- Daños permanentes pueden presentarse si un polvo o un disolvente entra en contacto con componentes pintados o plásticos de este aparato de calefacción.
- Almacene el aparato de calefacción fuera de la luz directa del sol.
- Para el almacenamiento de este aparato en interiores, desconecte el tanque de gas propano de la válvula de gas.
- El no usar piezas y accesorios aprobados o provistos por el fabricante puede ocasionar un estado defectuoso y anular la garantía de este aparato de calefacción.
- Coloque siempre la cubierta (si procede) o la funda protectora en el aparato de calefacción cuando no se utiliza.

# RESOLUCIÓN DE PROBLEMAS

Problema	Causa	Solución
El aparato de calefacción no se enciende.	El perno de encendido y el quemador están húmedos	Seque con un trapo suave
	La pila de encendido está insertada incorrectamente	Verifique la orientación de la inserción de la pila
	El perno de encendido está roto	Llame a Bond Manufacturing Co., Inc. para obtener una pieza de repuesto
	Un cable de electrodo está suelto o desconectado	Vuelva a conectar el cable a la caja de encendido ubicada dentro de la base de la mesa atrás de la caja de encendido
	Un cable de electrodo provoca un cortocircuito entre la válvula y el perno de encendido	Llame a Bond Manufacturing Co., Inc. para obtener una pieza de repuesto
El quemador no se enciende cuando se usa un cerillo	Ningún flujo de gas	Compruebe si el tanque de gas esté vacío
	El regulador no está bien conectado al tanque	Apriete la conexión del regulador al tanque de gas
	El flujo de gas está obstruido	Revise todas las mangueras en búsqueda de curvas bruscas y vueltas
	Los orificios de quemador están atascados	Cierre todas las conexiones de flujo de gas. Inserte un sujetapapeles (o un artículo similar) en cada orificio de quemador para limpiarlos
El aparato emita mucho humo negro	La llama está obstruida en los orificios de quemador	Asegúrese de que todos los orificios de quemador estén libres de pequeñas piedras de lava/piedras pómez/Lava Glass®
	La manguera del regulador está aplastada	Enderece todas las curvas bruscas o vueltas en la manguera
Caída repentina del flujo de gas	Ningún flujo de gas	Compruebe si el tanque de gas esté vacío
	El dispositivo de seguridad de exceso de flujo se ha activado	Gire el botón de control a la posición 'off'. Cierre la válvula del tanque y desconecte el tanque de gas propano. Gire el botón de control a la posición 'high'; espere un minuto. Vuelva a girar el botón de control a la posición 'off'. Vuelva a conectar el tanque de gas propano. Encienda el aparato como indicado en la sección 'Para encender' de este manual.
La llama se apaga fácilmente	Vientos fuertes o racheados	Aumenta la llama a 'high'
	Ningún flujo de gas	Compruebe si el tanque de gas esté vacío
	El dispositivo de seguridad de exceso de flujo se ha activado	Ver 'Caída repentina del flujo de gas' arriba

## GARANTÍA

Este producto tiene una garantía de un año contra defectos de material y de mano.

La garantía del fabricante se anulará por, y el fabricante declina toda responsabilidad por, los actos siguientes:

- Modificación del aparato y/o de los componentes, incluyendo la unidad de válvula de suministro de gas.
- Uso de cualquier componente no fabricado o aprobado por Bond Manufacturing Co., Inc.
- Uso y instalación con fines ajenos a los indicados en las instrucciones de este manual.

Póngase en contacto con el fabricante para obtener piezas de repuesto.

## PONERSE EN CONTACTO

Si tiene alguna pregunta o preocupación, póngase en contacto con Bond Manufacturing Co., Inc. a los recursos abajo:

Teléfono sin cargos	1 866 771-BOND(2663) de lunes a viernes, de 8.00 a 16.30 PST
Correo electrónico	customer.service@bondmfg.com
En línea	www.bondmfg.com

